

November 2014



**Commercial  
Vehicles**

# Transporter vans





**02 Introducing the Transporter**

- 04 Working with you
- 06 Cab comfort
- 08 Safety systems
- 10 Engines and gearboxes
- 12 BlueMotion Technology
- 14 4MOTION



**16 Transporter panel van**

- 18 Transporter kombi
- 20 The right vehicle for the job



**22 Choosing your trimline**

- 23 Startline
- 24 Trendline
- 25 Highline
- 26 Sportline 60



**28 Paint finishes**

- 29 Upholstery
- 30 Alloy wheels, audio and communications



**31 Engine and gearbox data**

- 32 Economy and performance
- 36 Dimensions
- 38 Weights



**42 Service and warranties**



# Introducing the Transporter. A legend among vans.

For more than 60 years, the Volkswagen Transporter has been driving businesses forward. Making impressions. Winning customers. Keeping promises. Building reputations.

It's a spacious panel van or a versatile kombi for kit and crew. It's also more flexible, more refined and, thanks to our unique BlueMotion Technology, more economical than ever. And now with four trimlines to choose from, it's easy to load up your van with a host of desirable extras for one simple, value-added price. You might already know which model suits you best, but if you don't, we're here to help. Because once we know how your business works, we can find the Transporter that works for you.

# The power of partnership.



## Everything for the job... and the journey.

### The right van.

We're commercial vehicle experts and finding the right van for your business is what makes us tick. We'll guide you through the range, take you on a test drive and cover all the options.

### The right accessories.

From mudflaps to sat navs, plying to roof racks, we'll work with you to create the perfect van – keeping everything 100% Volkswagen to preserve its class-leading residuals.

### The right finance.

Every business is different, so we stay flexible, with a range of finance packages to choose from. Depending on your preference, we'll go through the options to find the one that suits you best.

### The right support.

Nothing matters more than keeping you mobile, so our servicing options are built around you. You'll also enjoy three-years free Roadside Assistance with your new van.

### The right service.

We understand it's the little things that make the difference, so we set high standards. We'll call you when we say, keep you informed on delivery dates and support you long after purchase.

### It's more than a van to you. You're more than a customer to us.

We know that when you choose Volkswagen, you're looking for more than just four walls on four wheels. You want a van that looks after itself while you take care of business. A vehicle that makes a statement, as well as a delivery. An investment for the future that makes a difference today.

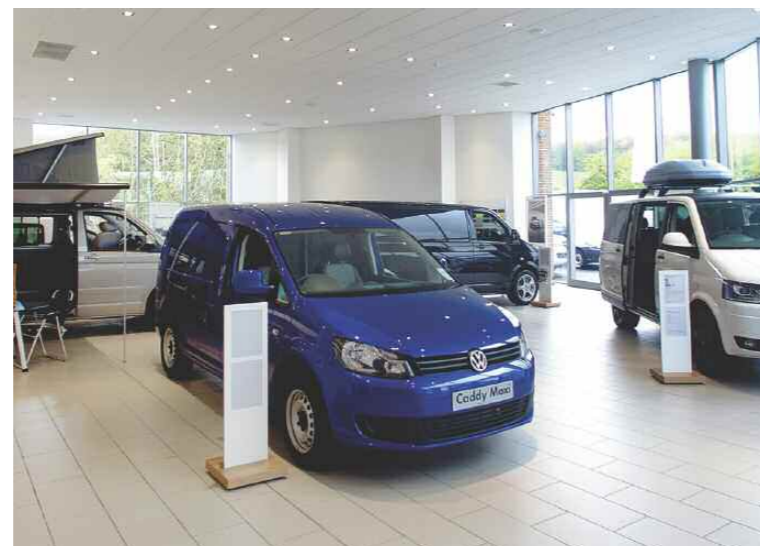
### To anyone else you're a customer. To us, you're a partner.

By getting to know how you work and what you need, we can give you more. That means helping your business become stronger and leaner, supporting your plans year after year. It means a partnership that lasts as long as your ownership, with a vehicle and a team that's with you for the journey.



### Our dedicated network of Van Centres.

Over **70 Van Centres** and **29 Authorised Repairers** means you're only 45 minutes from our door, wherever your work takes you.



### And there's more...

We offer a lot more than you might think. From cost-effective **van rental** to a wide selection of premium and budget **replacement tyres**, or an **air conditioning recharge** to pointing you to a **local signwriter**, we're able to help!

For more information on service, support and warranties, take a look at **page 42**.

# Welcome to your office.

We know you're likely to spend many hours of your working day inside the cab of your Transporter. As such, we've paid special attention to design an interior that's both practical and comfortable. From the ergonomically shaped seats, trimmed in hard-wearing Austin fabric to the stylish and functional dashboard, featuring a quality MP3 CD radio system with AUX-IN – nothing is lacking.

As with all our vans, safety is key, with the cab featuring driver and front passenger airbags, height-adjustable head restraints and 3-point seatbelts on all seats, as well as a host of other safety systems to help ensure both you and your passengers arrive safely.



#### RCD 210 radio.

The standard RCD 210 radio offers an output of 20 watts and features an integrated MP3 compatible CD player.



#### Air conditioning.

Standard on Highline models, climatic air conditioning ensures a comfortable and pleasant climate inside your van.



#### Cruise control.

Maintain a constant speed at the touch of a button. Standard on Trendline, Highline and BlueMotion Technology (BMT) models.



#### Electric windows.

Control panel featuring switches for front windows, heated and adjustable door mirrors and central locking override.



#### Storage solutions.

The Transporter cab features a host of handy storage compartments, cup holders and trays to help keep your cab tidy.



#### Airbags.

Standard driver and front passenger airbags with deactivation for front passenger seats. Other options are available.

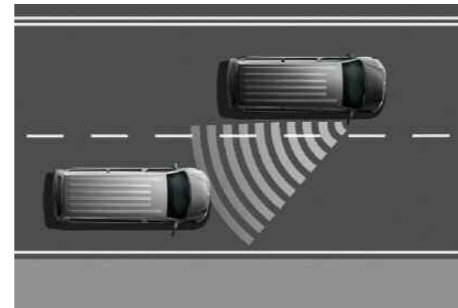


#### Gearboxes.

Choice of 5-speed or 6-speed manual and 7-speed DSG dual clutch direct shift gearboxes (depending on engine).

Find out more about trimlines...			
Startline	23	Highline	25
Trendline	24	Sportline 60	26

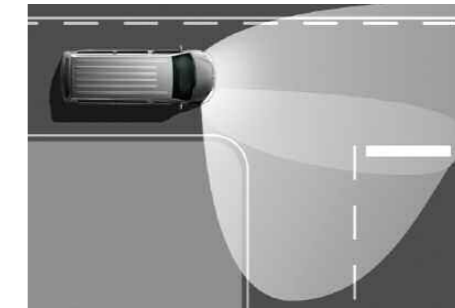
# Your safety is our priority.



**Lane Change Assist**<sup>1, 2</sup> has radar sensors to help monitor traffic. When you change lanes, the system warns you via flashing lights in the exterior mirrors if another vehicle is identified within the blind spot.



The **reversing camera**<sup>1</sup> gives you an optimised view of the area behind your vehicle. Coloured lines on the display of the optional RNS 315 or RNS 510 satellite navigation systems indicate a safe route for parking.



**Cornering lights**<sup>1</sup>, integrated into the front fog lights, help to illuminate curves and bends in the road ahead. This allows you to anticipate possible risks sooner, helping you to arrive at your destination safely.



- 01** When the vehicle weight is transferred to the front wheels during braking, the **Electronic Brakeforce Distribution (EBD/EBV)** prevents lockup of the rear wheels, which are under less load. This helps your vehicle brake safely in a straight line.
- 02** The **seatbelt warning** reminds the driver that their seatbelt is not fastened. An audiovisual signal is used to request that the seatbelt is fastened before you start driving.
- 03** The **Electronic Stabilisation Programme (ESP)** prevents the vehicle from swerving in critical driving conditions by controlled and targeted intervention in the brake and engine management. Thus, the vehicle achieves maximum directional stability.
- 04** The **tyre pressure monitoring** display (standard on kombi) activates a warning signal to highlight significant changes in tyre pressure. This lets the driver know that the tyre pressure should be checked as soon as possible.
- 05** The **Anti-lock Braking System (ABS)** prevents wheels from locking up and therefore significantly improves the manoeuvrability of the vehicle under heavy braking.
- 06** The **Brake Assist** system recognises the speed at which the brake pedal is actuated. In the case of reflex or emergency braking, the system applies full brake pressure more rapidly to achieve the shortest possible stopping distance.

Your safety is a vital factor, so we ensure that a long list of safety and security features are built-in to every vehicle we produce. Since we first introduced structural safety features on commercial vehicles over 35 years ago, Volkswagen's policy of continuous safety development has been setting the pace. Every Volkswagen model incorporates a range of both active and passive safety features, to ensure the safety and security of both you and your load.

Almost every part of the vehicle's design contributes to safety. Occupants are securely enclosed within a rigid safety cell with crumple zones to absorb crash energy, while the chassis and suspension are designed for excellent directional stability and handling. Features such as Anti-lock Braking System (ABS), Electronic Brakeforce Distribution (EBD/EBV), Electronic Stabilisation Programme (ESP) and driver and passenger front airbags are fitted as standard, while side and curtain airbags can be specified as an option. When you need added grip, our 4MOTION all-wheel drive system helps to maintain traction in poor driving conditions or when driving off-road.

For extra security and protection, optional features such as anti-theft devices, parking sensors, reversing cameras, Bi-xenon headlights, Lane Change Assist and cornering lights all offer added peace-of-mind.



<sup>1</sup> Lane Change Assist, reversing camera and cornering lights are available as optional extras.

<sup>2</sup> Lane Change Assist is available on SWB models only and requires a tailgate and electric folding door mirrors to be fitted. Lane Change Assist includes rain sensor with auto-dimming rear-view mirror, cruise control and trip computer.

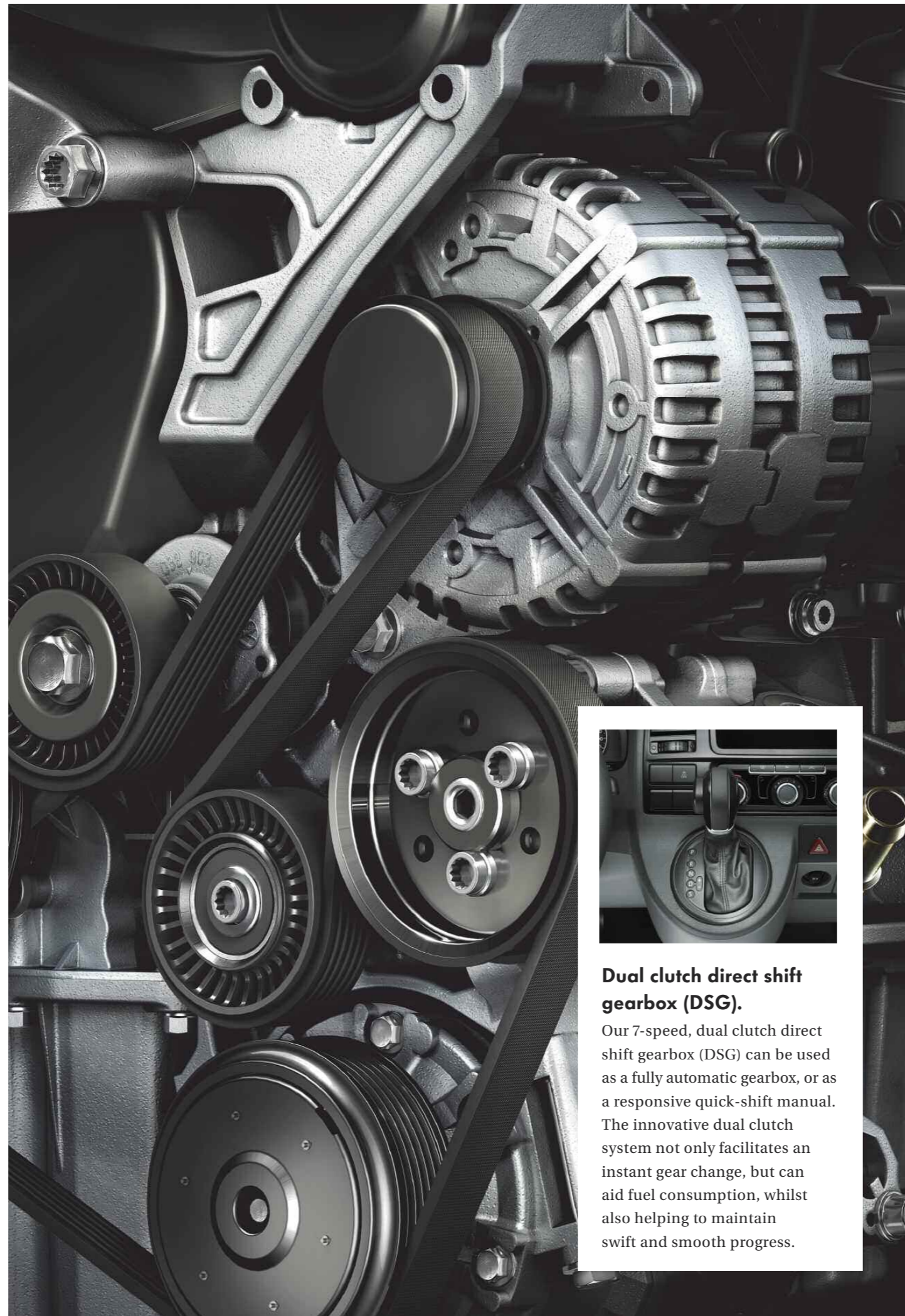
# TDI and BiTDI diesel engines. More power, torque and economy.

Our renowned TDI engines have long been setting the standards in diesel technology – and with rising fuel costs, we've also been working hard to lower fuel consumption, while reducing CO<sub>2</sub> emissions.

The Transporter engine range reflects this with a choice of five 2.0 litre common-rail diesel engines, all complying with Euro 5 emission limits and equipped with diesel particulate filters as standard. Four of the diesel engines use TDI technology, while the powerful 180PS diesel engine features BiTurbo (BiTDI) technology for the ultimate diesel experience. And when mated to a choice of 5 or 6-speed manual or 7-speed dual clutch direct shift (DSG) gearboxes, you'll discover our engines are more than able to propel your load with ease.

What's more, to aid your business further, all engines are available with a choice of Volkswagen's fixed or flexible servicing regimes – all designed to contribute to low whole-life running costs.

With every engine in the Transporter range designed to deliver more power, torque, flexibility and economy, you're sure to find an engine that's perfectly suited to the particular demands of your business.



## Dual clutch direct shift gearbox (DSG).

Our 7-speed, dual clutch direct shift gearbox (DSG) can be used as a fully automatic gearbox, or as a responsive quick-shift manual. The innovative dual clutch system not only facilitates an instant gear change, but can aid fuel consumption, whilst also helping to maintain swift and smooth progress.

# TDI

## 2.0 litre 62kW (84PS) TDI engine.<sup>1</sup>

The entry level 84PS TDI diesel engine draws strength from a cubic capacity of 1,968cc. Thanks to TDI technology, it delivers a maximum torque of 220Nm. As is the case with all our TDI engines, CO<sub>2</sub> emissions and fuel consumption have been optimised, while still giving a significant increase in performance. This engine is available with a 5-speed manual gearbox.

## 2.0 litre 75kW (102PS) TDI engine.<sup>1</sup>

The 102PS TDI diesel engine develops more power from the same cubic capacity. Fuel consumption and CO<sub>2</sub> emissions are equally impressive, as is 250Nm maximum torque for added performance. This engine is available with a 5-speed manual gearbox.

## 2.0 litre 84kW (114PS) TDI engine.<sup>1</sup>

Standard on the Transporter BlueMotion and available as part of the BlueMotion Technology (BMT) pack, the 114PS TDI diesel engine offers the perfect balance of power, torque and economy. Offering the lowest fuel consumption and CO<sub>2</sub> emissions in the range, it still delivers 250Nm maximum torque. This engine is available with a 5-speed manual gearbox.

## 2.0 litre 103kW (140PS) TDI engine.<sup>1</sup>

Thanks to a remarkable 340Nm maximum torque, the 140PS TDI diesel engine is a pleasure to drive and will shift heavy loads with ease. As is the case with the other TDI engines, CO<sub>2</sub> emissions and fuel consumption have been significantly reduced for the sake of the environment and your pocket. This engine is available with a 6-speed manual gearbox or our innovative 7-speed direct shift gearbox (DSG), while 4MOTION can also be specified.

## 2.0 litre 132kW (180PS) BiTDI engine.<sup>1</sup>

As the most powerful engine in the range, the amazing 180PS BiTDI diesel engine features BiTurbo (BiTDI) technology and produces an incredible 400Nm maximum torque. This results in a driving experience that's second to none and you'd be forgiven for forgetting you're at the wheel of a commercial vehicle. This engine is available with a 6-speed manual gearbox or 7-speed direct shift gearbox (DSG), while 4MOTION can also be specified.

<sup>1</sup> Please refer to page 32 for information about fuel consumption and CO<sub>2</sub> emissions.

# BlueMotion Technology.

BlueMotion Technology (BMT) is available as a cost-effective addition to most panel van and kombi models in the Transporter range<sup>1</sup>. It consists of four key elements, which when added together, contribute to significant improvements in fuel consumption and CO<sub>2</sub> emissions. As a business, this not only benefits your pocket, but also demonstrates your concern for the environment!

The best reflection of these virtues can be found in the T27 2.0TDI 114PS BlueMotion panel van, which as the most environmentally friendly model in the Transporter range, delivers the perfect balance between load capacity, power, torque and economy.

Available as a short wheelbase panel van with low roof, the BlueMotion offers a combined fuel figure of **48.7mpg** – 8mpg more than the next most fuel-efficient model, and CO<sub>2</sub> emissions of just **153g/km**. The BlueMotion achieves these figures by not only utilising Volkswagen's tried and tested BlueMotion Technology<sup>2</sup>, but by also incorporating a host of other weight-saving and aerodynamic improvements, such as a lowered ride height.

#### BlueMotion Technology (BMT) price.<sup>3</sup>

Panel van/kombi	
Basic price (exc. VAT)	£340.00
Total price (inc. VAT)	£408.00

<sup>1</sup> BlueMotion Technology can be added to any model except the Sportline and those with a 102PS engine.

<sup>2</sup> The Transporter BlueMotion model includes the BlueMotion Technology's four key elements as standard.

<sup>3</sup> There is no additional cost for BMT on the Transporter BlueMotion and those specified with a 114PS engine.

## BLUEMOTION TECHNOLOGY

### Four key elements.

#### 1. Cruise control.

By driving at a constant speed, cruise control saves fuel which would normally be wasted by fluctuations in speed. This lowers CO<sub>2</sub> emissions with the benefit of increasing driver comfort.

#### 2. Low rolling resistance tyres.

These don't need to work as hard to get your van moving (and keep it rolling) which is especially useful when shifting heavy loads. This reduces engine work, saves fuel and lowers CO<sub>2</sub> emissions.

#### 3. Regenerative braking.

When you brake, the energy recuperation system uses momentum to turn the alternator and charge the battery. A well charged battery results in the engine doing less work, which in-turn saves fuel and lowers CO<sub>2</sub> emissions.

#### 4. Start/Stop.

Allows you to save fuel by automatically turning the engine off when you stop and engage neutral. As soon as it's time to move, the engine starts up again. A simple, but highly effective system.

## BLUEMOTION

### Transporter BlueMotion panel van.

#### Standard equipment in addition to Startline.

BlueMotion exterior badge.

BlueMotion Technology – including cruise control, low rolling resistance tyres, regenerative braking and Start/Stop.

Lowered ride height – helps improve aerodynamics, leading to reduced drag and better fuel economy.

Timo cloth upholstery.

Tyre pressure monitor.



#### Find out more...

Safety systems	08	Paint and upholstery	28
Engines	10	Economy	32

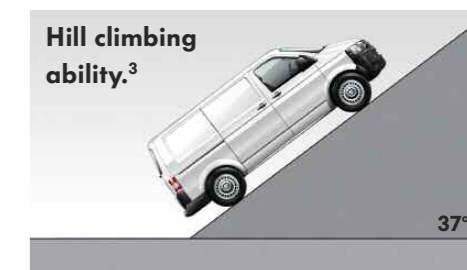
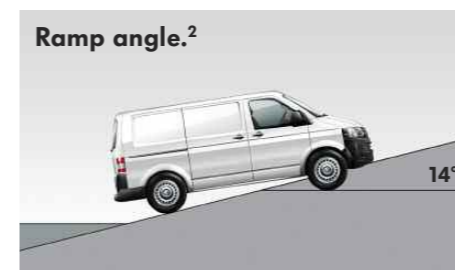
# 4MOTION. Get to grips with hard work.



Rain, snow, mud or gravel fail to create a problem for the Transporter's innovative 4MOTION all-wheel drive system. It's designed to maintain traction, offer stable road holding and increased safety when encountering poor surface conditions.

4MOTION reacts to even the slightest wheel slip and distributes power and drive to the wheels with the most grip. All this happens in milliseconds, through control units that are linked to the vehicle's dynamic sensors, engine management system and gearbox. For added safety, 4MOTION is compatible with Anti-lock Braking System (ABS), Electronic Brakeforce Distribution (EBD/EBV) and Electronic Stabilisation Programme (ESP).

Available exclusively for T32 panel van and T30 or T32 kombi models that use either a 140PS or 180PS diesel engine, 4MOTION is there to help you get to grips with hard work.



<sup>1</sup> Measured with a full load and max. 18mph. <sup>2</sup> Measured with standard equipment and a full load. <sup>3</sup> Measured with a 180PS BiTDI engine and a vehicle weight of 3.0t.



# Transporter panel van.

The **Transporter panel van** builds upon a distinguished history of great vans. It's available with a choice of three different roof heights, two wheelbase lengths and five engines, so whatever the task or size of your load, you'll be prepared for anything.

Standard cab seating consists of a single driver's seat with height, lumbar, reach and rake adjustment and a dual passenger seat with storage (with the option of a single passenger seat). Access to the cargo area is through a single near-side sliding door and twin rear wing doors without windows. To restrain your cargo, the floor area features either six or eight load-lashing rings (depending on your choice of wheelbase), ensuring your load is secured as safely as possible.



**Optional full-height hardboard sidelining.** Offers protection and helps to keep the interior of your load compartment clean and tidy.



**Bulkhead options.** To help protect both your cargo and yourself, the load compartment is available with a variety of bulkhead options.



**Optional 'C' rails.** 'C' rails can be integrated into the roof channels of low roof models. They allow roof systems to be mounted safely.



**Rear wing doors.** All panel vans feature solid rear wing doors as standard. 250° opening doors are an option on long wheelbase models.



**Off-side sliding door.** A second sliding door on the off-side can be specified as an option when access is needed to both sides of the vehicle.

## Find out more...

Cab comfort	06	Transporter BlueMotion	12
Safety systems	08	4MOTION	14
Engines and gearboxes	10	Trimlines	22
BlueMotion Technology	12	Paint and upholstery	28

# Transporter kombi.

The **Transporter kombi** is the ideal choice when you need to combine load carrying with the ability to transport a crew of up to six (including the driver). Standard cab seating consists of a single driver's seat with height, lumbar, reach and rake adjustment and a single passenger seat with reach and rake adjustment (with the option of a dual passenger seat).

Behind the cab there's seating for three passengers, consisting of a single seat to the left and dual seat to the right – each fitted with 3-point seatbelts and height-adjustable head restraints. The cab, passenger and cargo floors are covered in hard-wearing rubber which offers grip and protection. Access to the passenger seating is through a single near-side sliding door, while at the rear you'll find a glazed tailgate with heated window and wash-wipe.

## Short wheelbase with 5 or 6 seats.



## Long wheelbase with 5 or 6 seats.



**Sliding windows.**  
Sliding opening windows are featured on both sides of the first row passenger compartment.



**Roof height options.**  
The kombi comes with a low roof as standard. For more headroom, an optional medium or high roof is available.



**Rubber flooring.**  
A grippy rubber floor covering, featuring six or eight load-lashing rings, is included in both the passenger and cargo area.

### Find out more...

Cab comfort	06	4MOTION	14
Safety systems	08	Trimlines	22
Engines and gearboxes	10	Paint and upholstery	28
BlueMotion Technology	12	Service and warranties	42

# So which model do you need?

## Your van.

You probably already have an idea about what you need from your ideal van and what you'll need to carry. Likewise, you're sure to have an idea about what's the heaviest, tallest, widest or longest load you'll need to get into your vehicle. If you're a fleet manager, then you'll probably need a variety of options and more than one vehicle. Bearing these factors in mind, the information featured on these pages is designed to help as a quick guide to which vehicle may be the closest match to your own specific requirements.

## Your trimline.

For added choice, there's a variety of trimlines available. From the robust Startline to the breathtaking Sportline 60, you're sure to find a vehicle and trimline combination that not only works hard, but also creates the right impression.

## Your choice.

And remember, that's not all. Every Transporter is available with a wide range of options and accessories – all designed to further help tailor your vehicle to your own particular needs. So which model do you need?



Panel vans.	T26 (2,600kg)	T27 (2,700kg)	T28 (2,800kg)	T30 (3,000kg)	T32 (3,200kg)
<b>Short wheelbase low roof</b>  Load length: 2,570mm Load height: 1,410mm	Trimline: SL TL HL Payload: 682kg – 752kg	Trimline: BM Payload: 871kg	Trimline: SL TL HL Payload: 803kg – 952kg	Trimline: SL TL HL Payload: 1,003kg – 1,185kg	Trimline: SL TL HL SP Payload: 1,069kg – 1,340kg
<b>Short wheelbase medium roof</b>  Load length: 2,570mm Load height: 1,626mm			Trimline: SL TL HL Payload: 803kg – 952kg	Trimline: SL TL HL Payload: 1,003kg – 1,185kg	Trimline: SL TL HL Payload: 1,069kg – 1,340kg
<b>Long wheelbase low roof</b>  Load length: 2,970mm Load height: 1,410mm			Trimline: SL TL HL Payload: 746kg – 895kg	Trimline: SL TL HL Payload: 946kg – 1,095kg	Trimline: SL TL HL SP Payload: 1,013kg – 1,283kg
<b>Long wheelbase medium roof</b>  Load length: 2,970mm Load height: 1,626mm			Trimline: SL TL HL Payload: 746kg – 895kg	Trimline: SL TL HL Payload: 946kg – 1,095kg	Trimline: SL TL HL Payload: 1,013kg – 1,283kg
<b>Long wheelbase high roof</b>  Load length: 2,970mm Load height: 1,940mm			Trimline: SL TL HL Payload: 746kg – 895kg	Trimline: SL TL HL Payload: 946kg – 1,095kg	Trimline: SL TL HL <sup>1</sup> Payload: 1,013kg – 1,283kg

Kombi.	T30 (3,000kg)	T32 (3,200kg)
<b>Short wheelbase low roof</b>  Load length: 2,570mm Load height: 1,394mm	Trimline: SL TL HL Payload: 867kg – 1,113kg	Trimline: SL TL HL SP Payload: 1,036kg – 1,301kg
<b>Short wheelbase medium roof</b>  Load length: 2,570mm Load height: 1,610mm	Trimline: SL TL HL Payload: 867kg – 1,113kg	Trimline: SL TL HL Payload: 1,036kg – 1,301kg
<b>Long wheelbase low roof</b>  Load length: 2,970mm Load height: 1,394mm		Trimline: SL TL HL SP Payload: 906kg – 1,238kg
<b>Long wheelbase medium roof</b>  Load length: 2,970mm Load height: 1,610mm		Trimline: SL TL HL Payload: 906kg – 1,238kg
<b>Long wheelbase high roof</b>  Load length: 2,970mm Load height: 1,925mm		Trimline: SL TL HL <sup>1</sup> Payload: 906kg – 1,238kg

## How to select your van...

1. Think about the **maximum length and height** of your load. This will help you choose a wheelbase and roof height. If you need to carry more than two passengers, you'll need to consider choosing a kombi.
2. To the right of your chosen wheelbase and roof height combination, you'll see **payload** ranges. Think about the heaviest load you need to carry. This will help you see what's suitable (for instance a T30).
3. From the choice available, decide on your **trimline** and think about whether you wish to include **BlueMotion Technology**.
4. Take a look at the separate Transporter price list to discover which **engines and options** are available for your chosen van.

### Key.

SL	Startline	TL	Trendline	HL	Highline
BM	BlueMotion	SP	Sportline		

<sup>1</sup> T32 panel van and T32 kombi long wheelbase high roof models are not available when both the 7-speed dual clutch direct shift gearbox (DSG) and 4MOTION are specified.

# Choosing your trimline.

Once you've found your ideal van – or indeed vans if you're a fleet customer, the next step is to choose your perfect trimline. Both the Transporter panel van and kombi have a choice of four levels (**Startline**, **Trendline**, **Highline** and **Sportline 60**) – each with their own particular strengths and all designed to create the right impression for your business.

While the Startline includes the standard features found in all models, the Trendline enhances this with a host of stylish and practical upgrades. If you want more, the Highline delivers a level of specification rarely found in a commercial vehicle. For the ultimate van experience, the Sportline 60, with its 180PS engine, offers style and power in abundance.

The following pages will help you to discover what's available within each trimline, but if you have any questions, our Van Centre staff will be more than happy to offer further advice.



## Startline equipment.

### Audio and communications.

RCD 210 radio with single MP3 compatible CD player, AUX-IN socket and two speakers.

### Cab area.

Austin cloth upholstery.  
Digital clock.  
Door mirrors, electrically heated and adjustable.  
Driver's seat with height, lumbar, reach and rake adjustment.  
Dual passenger seat with storage (panel van).  
Electric front windows.  
Gear shift indicator.  
Interior light.  
Lockable glove compartment.  
Manually controlled heating system with dust and pollen filter and air recirculation.  
Rev counter.  
Rubber floor covering.  
Single passenger seat with reach and rake adjustment (kombi).  
Storage net on lower dash passenger side.  
12v socket.

### Cargo area.

Half-height load sidelining in hardboard.  
Interior entry step.  
Interior roof trim in painted hardboard (low roof only).  
Load-lashing rings (six for short wheelbase and eight for long wheelbase).  
Rear door interior release lever.  
Rubber floor covering (kombi).  
Single near-side sliding door.  
Sliding opening windows in near-side sliding door and opposite window (kombi).  
Steel flooring (panel van).  
Three-seat bench in first row, consisting of a single seat to the left and a dual seat to the right (kombi).  
Two door activated interior lights (three with optional high roof).

### Exterior.

Black wheel centre caps.  
Front and rear towing eyes.  
Galvanised steel body.  
Grey door mirrors and handles.  
Grey front and rear bumpers.  
Heat insulating glass.  
Tailgate with heated window and wash-wipe (kombi).  
Unglazed rear wing doors with 180° door opening (panel van).  
80 litre lockable fuel tank.

### Safety and security.

Anti-lock Braking System (ABS).  
Driver and passenger front airbags (with passenger deactivation).  
Electronic Brakeforce Distribution (EBD).  
Electronic Differential Lock (EDL).  
Electronic Stabilisation Programme (ESP).  
Height-adjustable head restraints.  
Height and rake adjustable steering column.  
Hill Hold Assist.  
Remote central locking with interior locking and two remote folding keys.  
Thatcham Category 2 approved immobiliser.  
Traction Control System (TCS).  
Tyre pressure monitoring (kombi).

### Wheels and tyres.

#### Wheels

16" x 6.5J steel wheels.  
17" x 7J steel wheels (180PS models).  
Full size steel spare wheel.  
Tool kit and jack.

#### Tyres

205/65 R16 (84PS, 102PS and 140PS models).  
215/65 R16 (low rolling resistance on BlueMotion and BlueMotion Technology models).  
215/60 R17 (all-weather on T32 180PS models).  
235/55 R17 (180PS models).



Window, central locking and mirror control.



RCD 210 radio with MP3 compatible CD player.



Dual passenger seat with storage (panel van).



Rubber floor covering in cargo area (kombi).



Large storage compartments throughout cab.



Cup holder.

## Trendline equipment in addition to Startline.

### Audio and communications.

RCD 310 radio with MP3 compatible CD player and AUX-IN. Bluetooth® phone connectivity with trip computer and multi-function display.

### Cab area.

Armrests for driver's seat.

Comfort pack – including foldable grab handles on 'A' pillars, sunglasses holder, driver and front passenger seat side storage compartments, twin sun visors with vanity mirrors, two-tone horn, reading lights, dimmable dashboard illumination and additional noise suppression measures.

Cruise control.

Premium dashboard with platinum grey centre console surround, rubber storage compartment trays and rubber air vent controls.

Tasamo cloth upholstery.

### Cargo area.

Full-height steel bulkhead (panel van).

### Exterior.

Body-coloured bumpers, mirrors and door handles.

Rear parking sensors.

### Wheels and tyres.

Full wheel trims.

### Trendline price. (in addition to Startline price)

	Panel van	Kombi
<b>Basic price (exc. VAT)</b>	<b>£1,215.00</b>	<b>£1,365.00</b>
Total price (inc. VAT)	£1,458.00	£1,638.00

### The savings you make. (exc. VAT)

	Panel van	Kombi
<b>What it's worth</b>	£1,910.00	£2,125.00
<b>What you pay</b>	£1,215.00	£1,365.00
<b>What you save</b>	<b>£695.00</b>	<b>£760.00</b>

The **Trendline** equipment builds upon the strengths of the Startline by offering a wide range of stylish, practical and technological items. By selecting the most popular options available and combining them into one handy pack, the Trendline offers amazing value when compared to ordering each item individually.

With upgrades such as rear parking sensors, cruise control, Bluetooth phone preparation with trip computer, RCD 310 radio and the comprehensive comfort pack the Trendline is designed to offer car-like levels of comfort and functionality to van users who desire more.

## Highline equipment in addition to Trendline.

### Cab area.

Climatic air conditioning.

Leather steering wheel, gearknob and gaiter.

### Exterior.

Front fog lights with cornering function.

### Safety and security.

Thatcham Category 1 approved alarm and immobiliser with tow-away, perimeter and interior cab protection.

### Wheels and tyres.

16" Colmar alloy wheels.

17" Thunder alloy wheels (with 180PS engine).

### Highline price. (in addition to Startline price)

	Panel van	Kombi
<b>Basic price (exc. VAT)</b>	<b>£2,425.00</b>	<b>£2,680.00</b>
Total price (inc. VAT)	£2,910.00	£3,216.00

### The savings you make. (exc. VAT)

	Panel van	Kombi
<b>What it's worth</b>	£3,815.00	£4,105.00
<b>What you pay</b>	£2,425.00	£2,680.00
<b>What you save</b>	<b>£1,390.00</b>	<b>£1,425.00</b>

For only a small premium over-and-above the cost of a Startline – especially when you consider what it includes and the significant savings you make, the luxurious **Highline** adds to the Trendline's already impressive specification and offers the perfect balance of comfort and style in a hard-working vehicle. Choose a Highline and you'll have a van that's designed to help get your business noticed.



Upgraded RCD 310 radio with MP3 CD player.



Cruise control.



Driver's seat armrests.



Leather steering wheel, gearknob and gaiter.



Climatic air conditioning.



Front fog lights.



Full-height steel bulkhead.



Rear parking sensors.



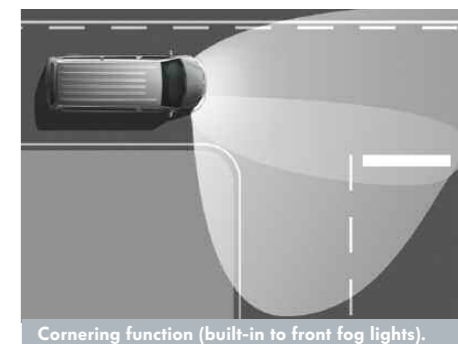
Full wheel trims.



16" Colmar alloy wheels.



17" Thunder alloy wheels (180PS engine).



Cornering function (built-in to front fog lights).

# Sportline 60.

The Transporter has been the van of choice for over 60 years, and now the **Sportline 60**, available as a panel van or kombi, is the natural choice for van users who want to make a statement. And we're not the only people who think so, with the Sportline being a previous winner of the coveted WhatVan? 'Editor's choice'. With a powerful 180PS engine, mated to either a 6-speed manual or 7-speed DSG gearbox and a list of standard features that would grace any top-end vehicle, the Sportline 60 delivers a commercial vehicle experience that is second to none.



## Sportline equipment.

### Audio and communications.

Kenwood DAB multimedia system – 7" colour touch-screen, full European Garmin satellite navigation with real-time traffic information, built-in Bluetooth® phone connectivity, DAB radio and single CD with DVD playback, full iPod and iPhone connectivity with an optional lead.

### Cab area.

Armrests on driver's seat (also on passenger seat for kombi).  
Climatic air conditioning.  
Front carpet floor mats with Sportline logo.  
Leather steering wheel, gearknob and gaiter.  
Quilted, embossed leather upholstery with Sportline logo in cab, plus in first row passenger seating (kombi).  
Trip computer with multi-function display.

### Exterior.

Black steel side bars.  
Body-coloured bumpers and door handles.  
Darkened rear light clusters.  
Front and rear parking sensors with rear parking camera.  
Front fog lights with cornering function.  
Front spoiler.  
Gloss Black door mirror covers with Sportline logo.  
Gloss Black upper and lower front grille with chrome detailing.  
Headlights with chrome detailing.  
Metallic Reflex Silver or Deep Black as standard – Candy White with Deep Black roof available as an option.  
Rear roof spoiler.  
Sportline exterior badge and Sportline 60 exterior decals.  
Tailgate with heated window and wash-wipe (kombi).  
Tailgate without window (panel van).

### Safety and security.

Thatcham Category 1 approved alarm and immobiliser with tow-away, perimeter and interior cab protection.

### Wheels and tyres.

18" Sportline five-spoke alloy wheels finished in Anthracite or Bi-colour Black/Silver and fitted with 255/45 R18 tyres.



Quilted leather upholstery.



18" Bi-colour Black/Silver alloy wheels.



Upgraded Kenwood DAB multimedia system.



Leather steering wheel, gearknob and gaiter.

## Find out more...

Safety systems	08	Kombi	18
Engines	10	Paint and upholstery	28
Panel van	16	Economy	32

## Paint finishes.

	<b>Candy White</b> Solid paint B4B4		<b>Pure Grey</b> Solid paint J2J2
	<b>Sunny Yellow</b> Solid paint M9M9		<b>Bright Orange</b> Solid paint E3E3
	<b>Salsa Red</b> Solid paint 4Y4Y		<b>India Blue</b> Solid paint F3F3
	<b>Ontario Green</b> Solid paint V7V7		<b>Reflex Silver</b> Metallic paint <sup>1, 2</sup> 8E8E
	<b>Natural Grey</b> Metallic paint <sup>1</sup> M4M4		<b>Sand Beige</b> Metallic paint <sup>1</sup> P8P8
	<b>Olympia Blue</b> Metallic paint <sup>1</sup> S6S6		<b>Night Blue</b> Metallic paint <sup>1, 2</sup> Z2Z2
	<b>Toffee Brown</b> Metallic paint <sup>1</sup> Q4Q4		<b>Blackberry</b> Metallic paint <sup>1</sup> C0C0

	<b>Deep Black</b> Pearl effect paint <sup>1, 2</sup> 2T2T		<b>Dark Wood</b> Pearl effect paint <sup>1</sup> P3P3
	<b>Candy White with Gloss Black roof</b> Solid paint <sup>3</sup> BBB		

<sup>1</sup> Metallic and pearl effect finishes are available at extra cost.  
<sup>2</sup> Reflex Silver and Deep Black are available at no extra cost for Sportline models only.  
<sup>3</sup> Available at extra cost for Sportline 60 models only.

## Upholstery.

	<b>Austin</b> Anthracite Cloth  SL		<b>Tasamo</b> Anthracite Cloth  TL HL
	<b>Sportline 60</b> Black Quilted leather  SP		<b>Timo</b> Anthracite Cloth  BM
	<b>Robust</b> Classic Grey Heavy-duty cloth  SL TL HL		<b>Leatherette</b> Classic Grey Synthetic leather  SL

### Key.

	Standard		SL – Startline		TL – Trendline		HL – Highline
	Optional		SP – Sportline		BM – BlueMotion		

Please note: Not all paint and upholstery combinations can be ordered together and in some instances certain combinations may incur extra cost. Likewise, not all paint finishes are available for every trimline. Please check details and availability with your Volkswagen Van Centre at the time of ordering. Print processes do not allow exact reproduction of paint and upholstery colours.

## Alloy wheels.



**16" Colmar**  
6.5J x 16 alloys with 215/65 R16 tyres. Standard on Highline models. Not available with 180PS engine.



**16" Miyato**  
6.5J x 16 alloys with 215/65 R16 tyres. Not available with 180PS engine or all-weather tyres.



**17" Thunder**  
6.5J x 17 alloys with 235/55 R17 tyres. Standard on 180PS engine.



**17" Timaru**  
Only with all-weather or low-rolling resistance tyres.



**17" Cascavel**  
7J x 17 alloys with tyre repair kit and 235/55 R17 tyres. Not on 84PS, 114PS and 180PS engines or T32 models.



**18" Canberra**  
8J x 18 alloys with 255/45 R18 tyres. All-weather tyres on BMT models with tyre repair kit replacing spare wheel and tool kit. Not with T32 models.



**18" Sportline Bi-colour**  
(Sportline 60 only)  
8J x 18 alloys with 255/45 R18 tyres.



**18" Sportline Anthracite**  
(Sportline 60 only)  
8J x 18 alloys with 255/45 R18 tyres.

Please note: For alloy wheel, audio and communications compatibility and fitment, please see separate price list.

## Audio and communications.



**RCD 310**  
FM/AM radio. Single CD player. MP3-file compatible. AUX-IN socket. Available with DAB+.



**RNS 315**  
5" colour touch-screen. 6GB flash memory. FM/AM radio with RDS. Single CD player. AUX-IN and SD card slot. Western European data.



**RNS 510**  
6.5" colour touch-screen. Voice control. 30GB hard drive. FM/AM radio with RDS. Single CD/DVD player. AUX-IN and SD card slot. Western European data.

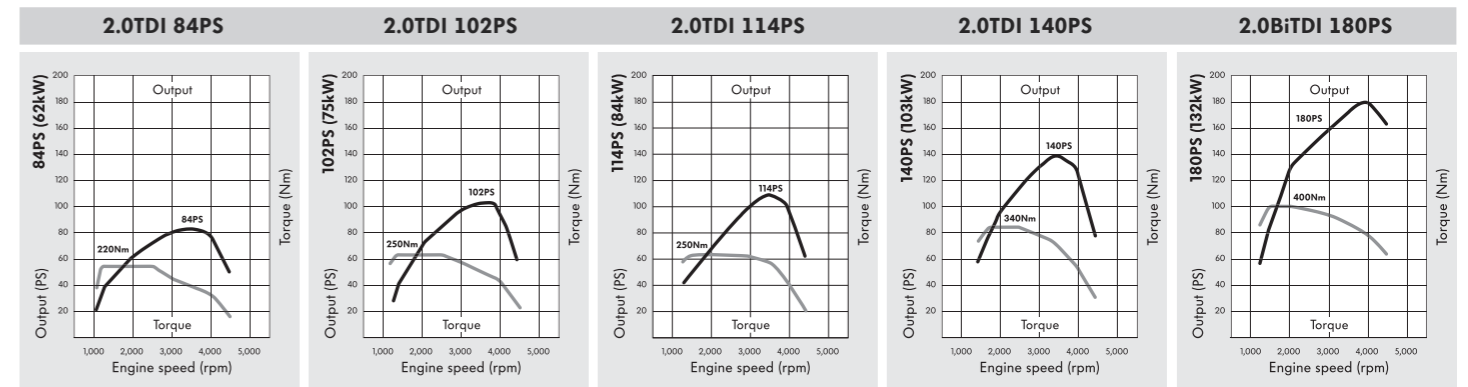


**Kenwood DAB**  
7" colour touch-screen. Built-in Bluetooth with iPod/iPhone connectivity. DAB radio with both CD and DVD playback. Full Garmin European sat nav+live traffic data.

## Engine and gearbox data.



Engine specifications.	2.0TDI 84PS	2.0TDI 102PS	2.0TDI 114PS	2.0TDI 140PS	2.0BiTDI 180PS
Engine type	Diesel, transverse, water-cooled, in-line, variable turbine geometry turbocharger with intercooler				Diesel, transverse, water-cooled, in-line, bi-turbo with intercooler
Mixture preparation/injection method	Common-rail, direct injection				
EU exhaust emission standard	EURO 5				
Number of cylinders	4				
Cubic capacity	1,968cc				
Output, PS at rpm	84 at 3,500	102 at 3,500	114 at 3,500	140 at 3,500	180 at 4,000
Torque, max. Nm at rpm	220 at 1,250-2,500	250 at 1,500-2,500	250 at 1,500-2,750	340 at 1,750-2,500	400 at 1,500-2,000
Diesel Particulate Filter (DPF)	•	•	•	•	•
5-speed manual gearbox	•	•	•	-	-
6-speed manual gearbox	-	-	-	•	•
7-speed dual-clutch gearbox (DSG)	-	-	-	○	○
Front-wheel drive	•	•	•	•	•
4MOTION four-wheel drive	-	-	-	○	○
Battery	61Ah (330A)				



- Standard
- Available
- Not available



# Panel van fuel consumption, performance and emissions.

Engine/transmission	Urban mpg (ltr/100km) <sup>1</sup>	Extra-urban mpg (ltr/100km) <sup>1</sup>	Combined mpg (ltr/100km) <sup>1</sup>	Acceleration 0-62 mph seconds	Top speed (where law permits) mph	CO <sub>2</sub> emissions g/km <sup>1</sup>
<b>T26, T27, T28, T30 and T32 short and long wheelbase with low roof.</b>						
2.OTDI 84PS	29.1 (9.7)	44.8 (6.3)	37.7 (7.5)	19.7	91	198
2.OTDI 84PS BMT	32.8 (8.6)	46.3 (6.1)	40.4 (7.0)	19.7	91	184
2.OTDI 102PS	29.1 (9.7)	44.8 (6.3)	37.7 (7.5)	15.3	98	198
2.OTDI 114PS BMT	32.8 (8.6)	46.3 (6.1)	40.4 (7.0)	14.8	101	184
2.OTDI 114PS BlueMotion	40.9 (6.9)	54.3 (5.2)	48.7 (5.8)	14.8	102	153
2.OTDI 140PS	28.8 (9.8)	43.5 (6.5)	36.7 (7.7)	12.2	107	203
2.OTDI 140PS BMT	31.0 (9.1)	46.3 (6.1)	39.2 (7.2)	12.2	107	189
2.OTDI 140PS DSG	27.2 (10.4)	40.9 (6.9)	34.4 (8.2)	12.5	107	216
2.OTDI 140PS DSG BMT	29.7 (9.5)	42.2 (6.7)	36.7 (7.7)	12.5	107	203
2.OTDI 140PS 4MOTION	27.2 (10.4)	39.8 (7.1)	34.0 (8.3)	13.5	106	219
2.OTDI 140PS 4MOTION BMT	28.8 (9.8)	42.2 (6.7)	36.2 (7.8)	13.5	106	206
2.0BiTDI 180PS	28.8 (9.8)	42.2 (6.7)	36.2 (7.8)	9.9	119	205
2.0BiTDI 180PS BMT	31.7 (8.9)	44.1 (6.4)	38.7 (7.3)	9.9	119	192
2.0BiTDI 180PS DSG	27.7 (10.2)	40.9 (6.9)	34.9 (8.1)	10.0	119	214
2.0BiTDI 180PS DSG BMT	32.1 (8.8)	40.9 (6.9)	37.2 (7.6)	10.0	119	199
2.0BiTDI 180PS 4MOTION	26.9 (10.5)	39.2 (7.2)	33.6 (8.4)	10.4	117	221
2.0BiTDI 180PS 4MOTION BMT	29.4 (9.6)	40.9 (6.9)	35.8 (7.9)	10.4	117	208
2.0BiTDI 180PS DSG 4MOTION	25.4 (11.1)	37.7 (7.5)	32.1 (8.8)	10.6	117	232
2.0BiTDI 180PS DSG 4MOTION BMT	29.1 (9.7)	37.7 (7.5)	34.0 (8.3)	10.6	117	219
2.0BiTDI 180PS Sportline	28.8 (9.8)	42.2 (6.7)	36.2 (7.8)	9.9	119	205
2.0BiTDI 180PS Sportline DSG	27.7 (10.2)	40.9 (6.9)	34.9 (8.1)	10.0	119	214

Engine/transmission	Urban mpg (ltr/100km) <sup>1</sup>	Extra-urban mpg (ltr/100km) <sup>1</sup>	Combined mpg (ltr/100km) <sup>1</sup>	Acceleration 0-62 mph seconds	Top speed (where law permits) mph	CO <sub>2</sub> emissions g/km <sup>1</sup>
<b>T28, T30 and T32 short and long wheelbase with medium roof.</b>						
2.OTDI 84PS	29.1 (9.7)	44.8 (6.3)	37.7 (7.5)	19.8	88	198
2.OTDI 84PS BMT	32.8 (8.6)	46.3 (6.1)	40.4 (7.0)	19.8	88	184
2.OTDI 102PS	29.1 (9.7)	44.8 (6.3)	37.7 (7.5)	15.4	94	198
2.OTDI 114PS BMT	32.8 (8.6)	46.3 (6.1)	40.4 (7.0)	14.9	98	184
2.OTDI 140PS	28.8 (9.8)	43.5 (6.5)	36.7 (7.7)	12.3	104	203
2.OTDI 140PS BMT	31.0 (9.1)	46.3 (6.1)	39.2 (7.2)	12.3	104	189
2.OTDI 140PS DSG	27.2 (10.4)	40.9 (6.9)	34.4 (8.2)	12.6	103	216
2.OTDI 140PS DSG BMT	29.7 (9.5)	42.2 (6.7)	36.7 (7.7)	12.6	103	203
2.OTDI 140PS 4MOTION	27.2 (10.4)	39.8 (7.1)	34.0 (8.3)	13.6	102	219
2.OTDI 140PS 4MOTION BMT	28.8 (9.8)	42.2 (6.7)	36.2 (7.8)	13.6	102	206
2.0BiTDI 180PS	28.8 (9.8)	42.2 (6.7)	36.2 (7.8)	10.0	114	205
2.0BiTDI 180PS BMT	31.7 (8.9)	44.1 (6.4)	38.7 (7.3)	10.0	114	192
2.0BiTDI 180PS DSG	27.7 (10.2)	40.9 (6.9)	34.9 (8.1)	10.1	114	214
2.0BiTDI 180PS DSG BMT	32.1 (8.8)	40.9 (6.9)	37.2 (7.6)	10.1	114	199
2.0BiTDI 180PS 4MOTION	26.9 (10.5)	39.2 (7.2)	33.6 (8.4)	10.5	113	221
2.0BiTDI 180PS 4MOTION BMT	29.4 (9.6)	40.9 (6.9)	35.8 (7.9)	10.5	113	208
2.0BiTDI 180PS DSG 4MOTION	25.4 (11.1)	37.7 (7.5)	32.1 (8.8)	10.7	113	232
2.0BiTDI 180PS DSG 4MOTION BMT	29.1 (9.7)	37.7 (7.5)	34.0 (8.3)	10.7	113	219

Engine/transmission	Urban mpg (ltr/100km) <sup>1</sup>	Extra-urban mpg (ltr/100km) <sup>1</sup>	Combined mpg (ltr/100km) <sup>1</sup>	Acceleration 0-62 mph seconds	Top speed (where law permits) mph	CO <sub>2</sub> emissions g/km <sup>1</sup>
<b>T28, T30 and T32 long wheelbase with high roof.</b>						
2.OTDI 84PS	28.8 (9.8)	40.9 (6.9)	35.8 (7.9)	20.3	85	208
2.OTDI 84PS BMT	32.5 (8.7)	42.2 (6.7)	38.2 (7.4)	20.3	85	195
2.OTDI 102PS	28.8 (9.8)	40.9 (6.9)	35.8 (7.9)	15.5	90	208
2.OTDI 114PS BMT	32.5 (8.7)	42.2 (6.7)	38.2 (7.4)	15.0	94	195
2.OTDI 140PS	27.7 (10.2)	40.9 (6.9)	34.9 (8.1)	12.7	100	214
2.OTDI 140PS BMT	30.4 (9.3)	42.2 (6.7)	37.2 (7.6)	12.7	100	199
2.OTDI 140PS DSG	27.2 (10.4)	38.2 (7.4)	33.2 (8.5)	13.0	99	224
2.OTDI 140PS DSG BMT	29.7 (9.5)	39.2 (7.2)	35.3 (8.0)	13.0	99	211
2.OTDI 140PS 4MOTION	27.2 (10.4)	37.7 (7.5)	32.8 (8.6)	14.0	98	226
2.OTDI 140PS 4MOTION BMT	28.5 (9.9)	39.8 (7.1)	34.9 (8.1)	14.0	98	214
2.0BiTDI 180PS	28.8 (9.8)	39.8 (7.1)	34.9 (8.1)	10.3	109	214
2.0BiTDI 180PS BMT	31.7 (8.9)	40.9 (6.9)	37.2 (7.6)	10.3	109	199
2.0BiTDI 180PS DSG	27.7 (10.2)	38.7 (7.3)	33.6 (8.4)	10.4	109	221
2.0BiTDI 180PS DSG BMT	32.1 (8.8)	38.7 (7.3)	35.8 (7.9)	10.4	109	208
2.0BiTDI 180PS 4MOTION	26.9 (10.5)	37.2 (7.6)	32.5 (8.7)	10.8	108	229
2.0BiTDI 180PS 4MOTION BMT	29.4 ( 9.6)	38.2 (7.4)	34.3 (8.2)	10.8	108	216

<sup>1</sup> The fuel consumption and emission values listed here have been ascertained in accordance with the legally stipulated measuring method. These figures do not refer to a particular specific vehicle and do not constitute part of the offer but are purely for comparison purposes between the various types of vehicle. In addition to the fuel efficiency of a vehicle, driving behaviour as well as other non-technical factors (such as environmental conditions) play a role in determining a vehicle's fuel consumption and CO<sub>2</sub> emissions. In addition to weather and traffic conditions, extra equipment and accessories (attachment parts, tyres, etc.) may change vehicle parameters such as the weight, rolling resistance of the tyres and the aerodynamics and thus influence the fuel consumption and driving performance values.

# Kombi fuel consumption, performance and emissions.

Engine/transmission	Urban mpg (ltr/100km) <sup>1</sup>	Extra-urban mpg (ltr/100km) <sup>1</sup>	Combined mpg (ltr/100km) <sup>1</sup>	Acceleration 0-62 mph seconds	Top speed (where law permits) mph	CO <sub>2</sub> emissions g/km <sup>1</sup>
<b>T30 and T32 short and long wheelbase with low roof.</b>						
2.0TDI 84PS	29.7 (9.5)	46.3 (6.1)	38.7 (7.3)	21.1	91	193
2.0TDI 84PS BMT	33.6 (8.4)	47.9 (5.9)	41.5 (6.8)	21.1	91	179
2.0TDI 102PS	29.7 (9.5)	46.3 (6.1)	38.7 (7.3)	16.4	98	193
2.0TDI 114PS BMT	33.6 (8.4)	47.9 (5.9)	41.5 (6.8)	15.9	101	179
2.0TDI 140PS	29.4 (9.6)	44.8 (6.3)	37.7 (7.5)	13.1	108	198
2.0TDI 140PS BMT	31.7 (8.9)	47.9 (5.9)	40.4 (7.0)	13.1	107	184
2.0TDI 140PS DSG	27.7 (10.2)	42.2 (6.7)	35.3 (8.0)	13.0	107	211
2.0TDI 140PS DSG BMT	30.4 (9.3)	43.5 (6.5)	37.7 (7.5)	13.0	107	198
2.0TDI 140PS 4MOTION	27.7 (10.2)	40.9 (6.9)	34.9 (8.1)	13.6	106	214
2.0TDI 140PS 4MOTION BMT	29.4 (9.6)	43.5 (6.5)	37.2 (7.6)	13.6	106	199
2.0BiTDI 180PS	29.4 (9.6)	43.5 (6.5)	37.2 (7.6)	10.3	119	199
2.0BiTDI 180PS BMT	32.5 (8.7)	45.6 (6.2)	39.8 (7.1)	10.3	119	187
2.0BiTDI 180PS DSG BMT	32.1 (8.8)	40.9 (6.9)	37.2 (7.6)	10.2	119	188
2.0BiTDI 180PS DSG	27.7 (10.2)	42.2 (6.7)	35.3 (8.0)	10.2	119	211
2.0BiTDI 180PS 4MOTION	27.7 (10.2)	40.9 (6.9)	34.9 (8.1)	10.6	117	214
2.0BiTDI 180PS 4MOTION BMT	31.1 (9.4)	42.2 (6.7)	36.7 (7.7)	10.6	117	203
2.0BiTDI 180PS DSG 4MOTION	25.9 (10.9)	38.7 (7.3)	32.8 (8.6)	10.8	117	226
2.0BiTDI 180PS DSG 4MOTION BMT	29.1 (9.7)	37.7 (7.5)	34.0 (8.3)	10.8	117	219
2.0BiTDI 180PS Sportline	29.4 (9.6)	43.5 (6.5)	37.2 (7.6)	10.3	119	199
2.0BiTDI 180PS Sportline DSG	27.7 (10.2)	42.2 (6.7)	35.3 (8.0)	10.2	119	211

Engine/transmission	Urban mpg (ltr/100km) <sup>1</sup>	Extra-urban mpg (ltr/100km) <sup>1</sup>	Combined mpg (ltr/100km) <sup>1</sup>	Acceleration 0-62 mph seconds	Top speed (where law permits) mph	CO <sub>2</sub> emissions g/km <sup>1</sup>
<b>T30 and T32 short and long wheelbase with medium roof.</b>						
2.0TDI 84PS	29.7 (9.5)	46.3 (6.1)	38.7 (7.3)	21.2	88	193
2.0TDI 84PS BMT	33.6 (8.4)	47.9 (5.9)	41.5 (6.8)	21.2	88	179
2.0TDI 102PS	29.7 (9.5)	46.3 (6.1)	38.7 (7.3)	16.5	94	193
2.0TDI 114PS BMT	33.6 (8.4)	47.9 (5.9)	41.5 (6.8)	16.0	98	179
2.0TDI 140PS	29.4 (9.6)	44.8 (6.3)	37.7 (7.5)	13.2	104	198
2.0TDI 140PS BMT	31.7 (8.9)	47.9 (5.9)	40.4 (7.0)	13.2	104	184
2.0TDI 140PS DSG	27.7 (10.2)	42.2 (6.7)	35.3 (8.0)	13.1	103	211
2.0TDI 140PS DSG BMT	30.4 (9.3)	43.5 (6.5)	37.7 (7.5)	13.1	103	198
2.0TDI 140PS 4MOTION	27.7 (10.2)	40.9 (6.9)	34.9 (8.1)	13.7	102	214
2.0TDI 140PS 4MOTION BMT	29.4 (9.6)	43.5 (6.5)	37.2 (7.6)	13.7	102	199
2.0BiTDI 180PS	29.4 (9.6)	43.5 (6.5)	37.2 (7.6)	10.4	114	199
2.0BiTDI 180PS BMT	32.5 (8.7)	45.6 (6.2)	39.8 (7.1)	10.4	114	187
2.0BiTDI 180PS DSG	27.7 (10.2)	42.2 (6.7)	35.3 (8.0)	10.3	114	211
2.0BiTDI 180PS DSG BMT	32.1 (8.8)	40.9 (6.9)	37.2 (7.6)	10.3	114	188
2.0BiTDI 180PS 4MOTION	27.7 (10.2)	40.9 (6.9)	34.9 (8.1)	10.7	113	214
2.0BiTDI 180PS 4MOTION BMT	31.1 (9.4)	42.2 (6.7)	36.7 (7.7)	10.7	113	203
2.0BiTDI 180PS DSG 4MOTION	25.9 (10.9)	38.7 (7.3)	32.8 (8.6)	10.9	113	226
2.0BiTDI 180PS DSG 4MOTION BMT	29.1 (9.7)	37.7 (7.5)	34.0 (8.3)	10.9	113	219

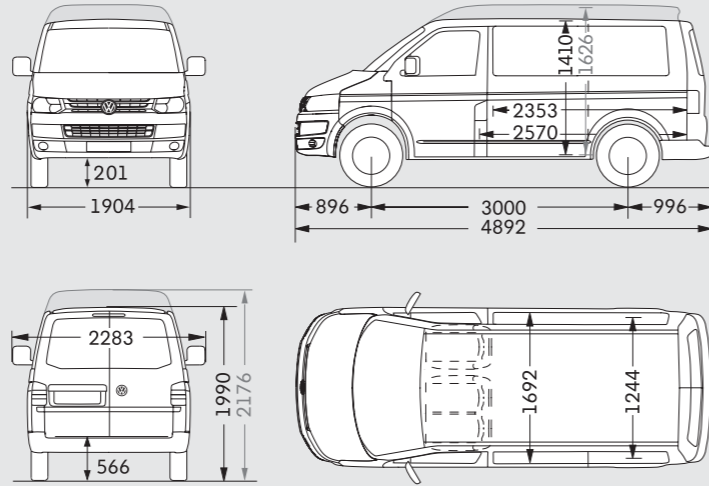
Engine/transmission	Urban mpg (ltr/100km) <sup>1</sup>	Extra-urban mpg (ltr/100km) <sup>1</sup>	Combined mpg (ltr/100km) <sup>1</sup>	Acceleration 0-62 mph seconds	Top speed (where law permits) mph	CO <sub>2</sub> emissions g/km <sup>1</sup>
<b>T32 long wheelbase with high roof.</b>						
2.0TDI 102PS	29.4 (9.6)	42.2 (6.7)	36.7 (7.7)	16.6	90	203
2.0TDI 114PS BMT	33.2 (8.5)	43.5 (6.5)	39.2 (7.2)	16.1	94	190
2.0TDI 140PS	28.2 (10.0)	42.2 (6.7)	35.8 (7.9)	13.4	100	208
2.0TDI 140PS BMT	31.0 (9.1)	43.5 (6.5)	38.2 (7.4)	13.4	100	195
2.0TDI 140PS DSG	27.7 (10.2)	39.2 (7.2)	34.0 (8.3)	13.3	99	219
2.0TDI 140PS DSG BMT	30.4 (9.3)	40.4 (7.0)	36.2 (7.8)	13.3	99	206
2.0TDI 140PS 4MOTION	27.7 (10.2)	38.7 (7.3)	33.6 (8.4)	14.1	98	221
2.0TDI 140PS 4MOTION BMT	29.1 (9.7)	40.9 (6.9)	35.8 (7.9)	14.1	98	208
2.0BiTDI 180PS	29.4 (9.6)	40.9 (6.9)	35.8 (7.9)	10.7	109	208
2.0BiTDI 180PS BMT	32.5 (8.7)	42.2 (6.7)	38.2 (7.4)	10.7	109	195
2.0BiTDI 180PS DSG	28.2 (10.0)	39.8 (7.1)	34.4 (8.2)	10.6	109	216
2.0BiTDI 180PS DSG BMT	32.8 (8.6)	39.8 (7.1)	36.7 (7.7)	10.6	109	203
2.0BiTDI 180PS 4MOTION	27.4 (10.3)	38.2 (7.4)	33.2 (8.5)	11.0	108	224
2.0BiTDI 180PS 4MOTION BMT	33.6 (9.4)	39.2 (7.2)	35.3 (8.0)	11.0	108	211

<sup>1</sup> The fuel consumption and emission values listed here have been ascertained in accordance with the legally stipulated measuring method. These figures do not refer to a particular specific vehicle and do not constitute part of the offer but are purely for comparison purposes between the various types of vehicle. In addition to the fuel efficiency of a vehicle, driving behaviour as well as other non-technical factors (such as environmental conditions) play a role in determining a vehicle's fuel consumption and CO<sub>2</sub> emissions. In addition to weather and traffic conditions, extra equipment and accessories (attachment parts, tyres, etc.) may change vehicle parameters such as the weight, rolling resistance of the tyres and the aerodynamics and thus influence the fuel consumption and driving performance values.

## Panel van dimensions.

### Short wheelbase low and medium roof.

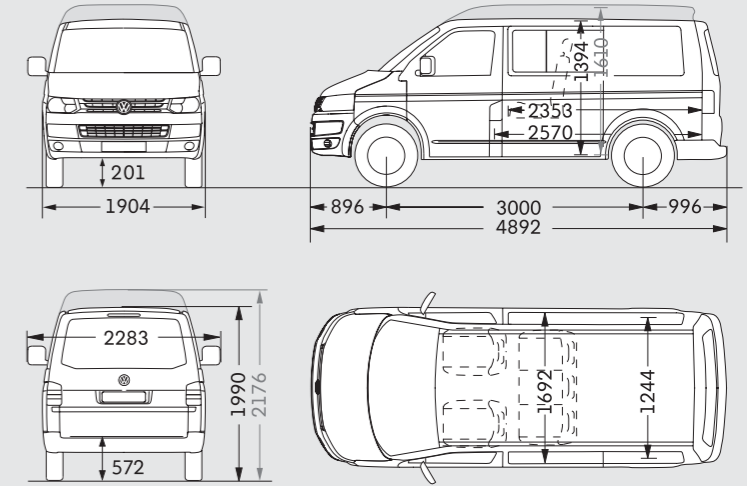
Roof height.	low	medium <sup>1</sup>
Wheelbase	3,000	3,000
Load compartment	length	2,570
	width	1,692
	width between wheel arches	1,244
	height	1,410
	1,626	
	4.3m <sup>2</sup>	4.3m <sup>2</sup>
	5.8m <sup>3</sup>	6.7m <sup>3</sup>
Side sliding door	width	1,020
	height	1,284
Rear wing doors	width	1,486
	height	1,305
Turning circle (wall to wall)	11.9m	11.9m



## Kombi dimensions.

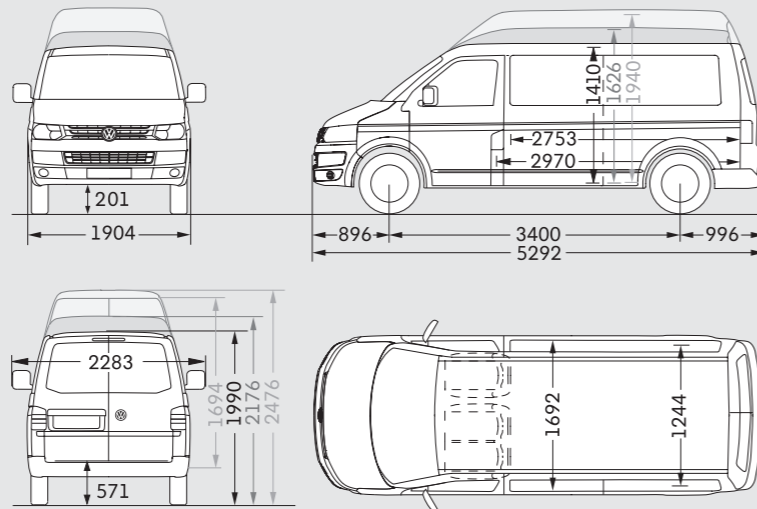
### Short wheelbase low and medium roof.

Roof height.	low	medium <sup>1</sup>
Wheelbase	3,000	3,000
Load compartment	length	2,570
	width	1,692
	width between wheel arches	1,244
	height	1,394
	1,610	
	4.3m <sup>2</sup>	4.3m <sup>2</sup>
	5.8m <sup>3</sup>	6.7m <sup>3</sup>
Side sliding door	width	1,020
	height	1,268
Rear tailgate	width	1,486
	height	1,295
Turning circle (wall to wall)	11.9m	11.9m



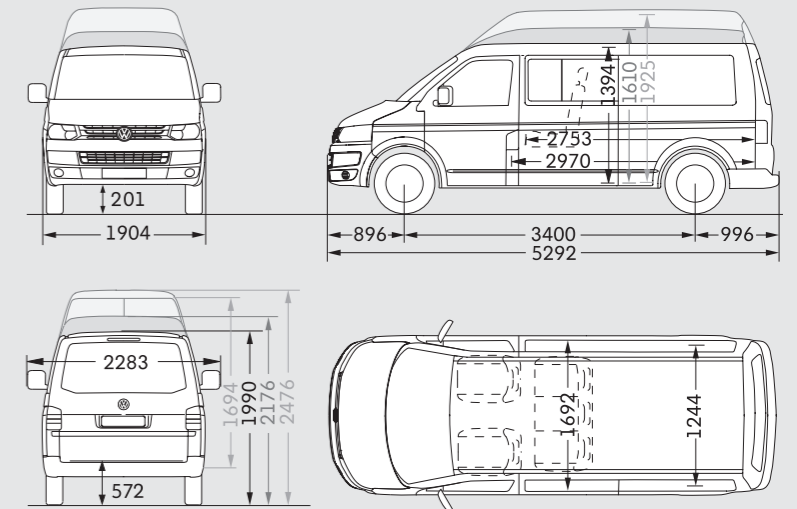
### Long wheelbase low, medium and high roof.

Roof height.	low	medium <sup>1</sup>	high <sup>1</sup>
Wheelbase	3,400	3,400	3,400
Load compartment	length	2,970	2,970
	width	1,692	1,692
	width between wheel arches	1,244	1,244
	height	1,410	1,626
	1,940		
	5.0m <sup>2</sup>	5.0m <sup>2</sup>	5.0m <sup>2</sup>
	6.7m <sup>3</sup>	7.8m <sup>3</sup>	9.3m <sup>3</sup>
Side sliding door	width	1,020	
	height	1,284	
Optional high side sliding door height	-	-	1,724
Rear wing doors	width	1,486	
	height	1,305	
Turning circle (wall to wall)	13.2m	13.2m	13.2m



### Long wheelbase low, medium and high roof.

Roof height.	low	medium <sup>1</sup>	high <sup>1</sup>
Wheelbase	3,400	3,400	3,400
Load compartment	length	2,970	
	width	1,692	
	width between wheel arches	1,244	
	height	1,394	
	1,610		
	1,925		
	5.0m <sup>2</sup>	5.0m <sup>2</sup>	
	6.7m <sup>3</sup>	7.8m <sup>3</sup>	
Side sliding door	width	1,020	
	height	1,268	
Optional high side sliding door height	-	-	1,724
Rear wing doors	width	1,486	
	height	1,295	
Rear tailgate	width	1,486	
	height	1,295	
Turning circle (wall to wall)	13.2m	13.2m	



<sup>1</sup> Indicates optional medium or high roof.

Please note: Vehicle drawings are not to scale. All dimensions in millimeters (mm), unless otherwise stated.

The height measurements listed may vary by ± 50mm depending on model and equipment fitted.

# Panel van weights.

Model/ gross vehicle weight kg		Axle load limit front/rear kg		Trailer weight braked 12%/ unbraked kg		Gross train weight kg		Unladen weight <sup>1</sup> Payload <sup>2</sup> kg		Unladen weight <sup>1</sup> Payload <sup>2</sup> kg		Unladen weight <sup>1</sup> Payload <sup>2</sup> kg		
Engine/transmission														
<b>Short wheelbase.</b>						<b>Startline</b>		<b>Trendline</b>		<b>Highline</b>				
<b>T26</b> 2,600	2.0TDI 84PS	1,450 / 1,400	2,200 / 750	4,800	1,848	<b>752</b>	–	–	–	–	–	–	–	
	2.0TDI 84PS BMT	1,450 / 1,400	2,200 / 750	4,800	1,860	<b>740</b>	–	–	–	–	–	–	–	
	2.0TDI 102PS	1,450 / 1,400	2,200 / 750	4,800	1,848	<b>752</b>	1,882	<b>718</b>	1,910	<b>690</b>	–	–	–	
	2.0TDI 114PS BMT	1,450 / 1,400	2,200 / 750	4,800	1,860	<b>740</b>	1,894	<b>706</b>	1,918	<b>682</b>	–	–	–	
<b>T27</b> 2,700	2.0TDI 114PS BlueMotion	1,500 / 1,550	1,800 / 750	4,300	1,829	<b>871</b>	–	–	–	–	–	–	–	
<b>T28</b> 2,800	2.0TDI 84PS	1,500 / 1,550	2,200 / 750	4,800	1,848	<b>952</b>	–	–	–	–	–	–	–	
	2.0TDI 84PS BMT	1,500 / 1,550	2,200 / 750	4,800	1,860	<b>940</b>	–	–	–	–	–	–	–	
	2.0TDI 102PS	1,500 / 1,550	2,200 / 750	4,900	1,848	<b>952</b>	1,882	<b>918</b>	1,910	<b>890</b>	–	–	–	
	2.0TDI 114PS BMT	1,500 / 1,550	2,200 / 750	4,900	1,860	<b>940</b>	1,894	<b>906</b>	1,918	<b>882</b>	–	–	–	
	2.0TDI 140PS	1,550 / 1,550	2,500 / 750	5,200	1,878	<b>922</b>	1,912	<b>888</b>	1,940	<b>860</b>	–	–	–	
	2.0TDI 140PS BMT	1,550 / 1,550	2,500 / 750	5,200	1,890	<b>910</b>	1,924	<b>876</b>	1,948	<b>852</b>	–	–	–	
	2.0TDI 140PS DSG	1,550 / 1,550	2,500 / 750	5,300	1,904	<b>896</b>	1,938	<b>862</b>	1,965	<b>835</b>	–	–	–	
	2.0TDI 140PS DSG BMT	1,550 / 1,550	2,500 / 750	5,300	1,915	<b>885</b>	1,948	<b>852</b>	1,973	<b>827</b>	–	–	–	
	2.0BiTDI 180PS	1,550 / 1,550	2,500 / 750	5,200	–	–	–	–	1,971	<b>829</b>	–	–	–	
	2.0BiTDI 180PS BMT	1,550 / 1,550	2,500 / 750	5,200	–	–	–	–	1,973	<b>827</b>	–	–	–	
	2.0BiTDI 180PS DSG	1,550 / 1,550	2,500 / 750	5,300	–	–	–	–	1,991	<b>809</b>	–	–	–	
	2.0BiTDI 180PS DSG BMT	1,550 / 1,550	2,500 / 750	5,300	–	–	–	–	1,997	<b>803</b>	–	–	–	
	<b>T30</b> 3,000	2.0TDI 84PS	1,500 / 1,625	2,200 / 750	4,800	1,848	<b>1,152</b>	–	–	–	–	–	–	–
		2.0TDI 84PS BMT	1,500 / 1,625	2,200 / 750	4,800	1,860	<b>1,140</b>	–	–	–	–	–	–	–
2.0TDI 102PS		1,500 / 1,625	2,200 / 750	4,900	1,848	<b>1,152</b>	1,882	<b>1,118</b>	1,910	<b>1,090</b>	–	–	–	
2.0TDI 114PS BMT		1,500 / 1,625	2,200 / 750	4,900	1,860	<b>1,140</b>	1,894	<b>1,106</b>	1,918	<b>1,082</b>	–	–	–	
2.0TDI 140PS		1,550 / 1,625	2,500 / 750	5,200	1,878	<b>1,122</b>	1,912	<b>1,088</b>	1,940	<b>1,060</b>	–	–	–	
2.0TDI 140PS BMT		1,550 / 1,625	2,500 / 750	5,200	1,890	<b>1,110</b>	1,924	<b>1,076</b>	1,948	<b>1,052</b>	–	–	–	
2.0TDI 140PS DSG		1,550 / 1,625	2,500 / 750	5,300	1,904	<b>1,096</b>	1,938	<b>1,062</b>	1,965	<b>1,035</b>	–	–	–	
2.0TDI 140PS DSG BMT		1,550 / 1,625	2,500 / 750	5,300	1,915	<b>1,085</b>	1,948	<b>1,052</b>	1,973	<b>1,027</b>	–	–	–	
2.0BiTDI 180PS		1,550 / 1,625	2,500 / 750	5,200	–	–	–	–	1,971	<b>1,029</b>	–	–	–	
2.0BiTDI 180PS BMT		1,550 / 1,625	2,500 / 750	5,200	–	–	–	–	1,973	<b>1,027</b>	–	–	–	
2.0BiTDI 180PS DSG		1,550 / 1,625	2,500 / 750	5,300	–	–	–	–	1,991	<b>1,009</b>	–	–	–	
2.0BiTDI 180PS DSG BMT		1,550 / 1,625	2,500 / 750	5,300	–	–	–	–	1,997	<b>1,003</b>	–	–	–	
<b>T32</b> 3,200		2.0TDI 102PS	1,600 / 1,720	2,200 / 750	4,900	1,860	<b>1,340</b>	1,894	<b>1,306</b>	1,932	<b>1,268</b>	–	–	–
		2.0TDI 114PS BMT	1,650 / 1,720	2,500 / 750	4,900	1,873	<b>1,327</b>	1,907	<b>1,293</b>	1,937	<b>1,263</b>	–	–	–
	2.0TDI 140PS	1,650 / 1,720	2,500 / 750	5,200	1,890	<b>1,310</b>	1,924	<b>1,276</b>	1,962	<b>1,238</b>	–	–	–	
	2.0TDI 140PS BMT	1,650 / 1,720	2,500 / 750	5,200	1,902	<b>1,298</b>	1,937	<b>1,263</b>	1,967	<b>1,233</b>	–	–	–	
	2.0TDI 140PS DSG	1,650 / 1,720	2,500 / 750	5,300	1,916	<b>1,284</b>	1,950	<b>1,250</b>	1,987	<b>1,213</b>	–	–	–	
	2.0TDI 140PS DSG BMT	1,650 / 1,720	2,500 / 750	5,300	1,927	<b>1,273</b>	1,960	<b>1,240</b>	1,992	<b>1,208</b>	–	–	–	
	2.0TDI 140PS 4MOTION	1,710 / 1,720	2,500 / 750	5,300	2,005	<b>1,195</b>	2,039	<b>1,161</b>	2,077	<b>1,123</b>	–	–	–	
	2.0TDI 140PS 4MOTION BMT	1,710 / 1,720	2,500 / 750	5,300	2,017	<b>1,183</b>	2,052	<b>1,148</b>	2,082	<b>1,118</b>	–	–	–	
	2.0BiTDI 180PS	1,650 / 1,720	2,500 / 750	5,200	–	–	–	–	2,002	<b>1,198</b>	–	–	–	
	2.0BiTDI 180PS BMT	1,650 / 1,720	2,500 / 750	5,200	–	–	–	–	2,004	<b>1,196</b>	–	–	–	
	2.0BiTDI 180PS DSG	1,650 / 1,720	2,500 / 750	5,300	–	–	–	–	2,023	<b>1,177</b>	–	–	–	
	2.0BiTDI 180PS DSG BMT	1,650 / 1,720	2,500 / 750	5,300	–	–	–	–	2,028	<b>1,172</b>	–	–	–	
	2.0BiTDI 180PS 4MOTION	1,710 / 1,720	2,500 / 750	5,300	–	–	–	–	2,105	<b>1,095</b>	–	–	–	
	2.0BiTDI 180PS 4MOTION BMT	1,710 / 1,720	2,500 / 750	5,300	–	–	–	–	2,106	<b>1,094</b>	–	–	–	
	2.0BiTDI 180PS DSG 4MOTION	1,710 / 1,720	2,500 / 750	5,300	–	–	–	–	2,126	<b>1,074</b>	–	–	–	
	2.0BiTDI 180PS DSG 4MOTION BMT	1,710 / 1,720	2,500 / 750	5,300	–	–	–	–	2,131	<b>1,069</b>	–	–	–	
	2.0BiTDI 180PS Sportline	1,650 / 1,720	2,500 / 750	5,200	–	–	–	–	1,941	<b>1,259</b>	–	–	–	
	2.0BiTDI 180PS Sportline DSG	1,650 / 1,720	2,500 / 750	5,300	–	–	–	–	1,962	<b>1,238</b>	–	–	–	

Model/ gross vehicle weight kg		Axle load limit front/rear kg		Trailer weight braked 12%/ unbraked kg		Gross train weight kg		Unladen weight <sup>1</sup> Payload <sup>2</sup> kg		Unladen weight <sup>1</sup> Payload <sup>2</sup> kg		Unladen weight <sup>1</sup> Payload <sup>2</sup> kg	
Engine/transmission													
<b>Long wheelbase.</b>						<b>Startline</b>		<b>Trendline</b>		<b>Highline</b>			
<b>T28</b> 2,800	2.0TDI 84PS	1,525 / 1,550	2,200 / 750	4,800	1,905	<b>895</b>	–	–	–	–	–	–	–
	2.0TDI 84PS BMT	1,525 / 1,550	2,200 / 750	4,800	1,917	<b>883</b>	–	–	–	–	–	–	–
	2.0TDI 102PS	1,525 / 1,550	2,200 / 750	4,900	1,905	<b>895</b>	1,939	<b>861</b>	1,968	<b>832</b>	–	–	–
	2.0TDI 114PS BMT	1,525 / 1,550	2,200 / 750	4,900	1,917	<b>883</b>	1,951	<b>849</b>	1,974	<b>826</b>	–	–	–
	2.0TDI 140PS	1,575 / 1,550	2,500 / 750	5,200	1,935	<b>865</b>	1,969	<b>831</b>	1,998	<b>802</b>	–	–	–
	2.0TDI 140PS BMT	1,575 / 1,550	2,500 / 750	5,200	1,947	<b>853</b>	1,981	<b>819</b>	2,004	<b>796</b>	–	–	–
	2.0TDI 140PS DSG	1,575 / 1,550	2,500 / 750	5,300	1,960	<b>840</b>	1,994	<b>806</b>	2,021	<b>779</b>	–	–	–
	2.0TDI 140PS DSG BMT	1,575 / 1,550	2,500 / 750	5,300	1,971	<b>829</b>	2,005	<b>795</b>	2,030	<b>770</b>	–	–	–
	2.0BiTDI 180PS	1,550 / 1,550	2,500 / 750	5,200	–	–	–	–	2,027	<b>773</b>	–	–	–
	2.0BiTDI 180PS BMT	1,550 / 1,550	2,500 / 750	5,200	–	–	–	–	2,029	<b>771</b>	–	–	–
<b>T30</b> 3,000	2.0TDI 84PS	1,525 / 1,625	2,200 / 750	4,800	1,905	<b>1,095</b>	–	–	–	–	–	–	–
	2.0TDI 84PS BMT	1,525 / 1,625	2,200 / 750	4,800	1,917	<b>1,083</b>	–	–	–	–	–	–	–
	2.0TDI 102PS	1,525 / 1,625	2,200 / 750	4,900	1,905	<b>1,095</b>	1,939	<b>1,061</b>	1,968	<b>1,032</b>	–	–	–
	2.0TDI 114PS BMT	1,525 / 1,625	2,200 / 750	4,900	1,917	<b>1,083</b>	1,951	<b>1,049</b>	1,974	<b>1,026</b>	–	–	–
	2.0TDI 140PS	1,575 / 1,625	2,500 / 750	5,200	1,935	<b>1,065</b>	1,969	<b>1,031</b>	1,998	<b>1,002</b>	–	–	–
	2.0TDI 140PS BMT	1,575 / 1,625	2,500 / 750	5,200	1,947	<b>1,053</b>	1,981	<b>1,019</b>	2,004	<b>996</b>	–	–	–
	2.0TDI 140PS DSG	1,575 / 1,625	2,500 / 750	5,300	1,960	<b>1,040</b>	1,994	<b>1,006</b>	2,021	<b>979</b>	–	–	–
	2.0TDI 140PS DSG BMT	1,575 / 1,625	2,500 / 750	5,300	1,971	<b>1,029</b>	2,005	<b>995</b>	2,030	<b>970</b>	–	–	–
	2.0BiTDI 180PS	1,575 / 1,625	2,500 / 750	5,200	–	–	–	–	2,027	<b>973</b>	–	–	–
	2.0BiTDI 180PS BMT	1,575 / 1,625	2,500 / 750	5,200	–	–	–	–	2,029	<b>971</b>	–	–	–
<b>T32</b> 3,200	2.0TDI 102PS	1,600 / 1,720	2,200 / 750	4,900	1,917	<b>1,283</b>	1,951	<b>1,249</b>	1,988	<b>1,212</b>	–	–	–
	2.0TDI 114PS BMT	1,600 / 1,720	2,200 / 750	4,900	1,929	<b>1,271</b>	1,963	<b>1,237</b>	1,994	<b>1,206</b>	–	–	–
	2.0TDI 140PS	1,650 / 1,720	2,500 / 750	5,200	1,947	<b>1,253</b>	1,981	<b>1,219</b>	2,018	<b>1,182</b>	–	–	–
	2.0TDI 140PS BMT	1,650 / 1,720	2,500 / 750	5,200	1,960	<b>1,240</b>	1,993	<b>1,207</b>	2,139	<b>1,061</b>	–	–	–
	2.0TDI 140PS DSG	1,650 / 1,720	2,500 / 750	5,300	1,973	<b>1,227</b>	2,007	<b>1,193</b>	2,043	<b>1,157</b>	–	–	–
	2.0TDI 140PS DSG BMT	1,650 / 1,720	2,500 / 750	5,300	1,983	<b>1,217</b>	2,018	<b>1,182</b>	2,059				

# Kombi weights.

Model/ gross vehicle weight kg	Engine/transmission	Axle load limit front/rear kg	Trailer weight braked 12%/ unbraked kg	Gross train weight kg	Unladen		Unladen		Unladen	
					weight <sup>1</sup> kg	Payload <sup>2</sup> kg	weight <sup>1</sup> kg	Payload <sup>2</sup> kg	weight <sup>1</sup> kg	Payload <sup>2</sup> kg
<b>Short wheelbase.</b>										
<b>T30</b>	3,000				<b>Startline</b>		<b>Trendline</b>		<b>Highline</b>	
	2.0TDI 84PS	1,500 / 1,600	2,200 / 750	4,800	1,887	<b>1,113</b>	-	-	-	-
	2.0TDI 84PS BMT	1,500 / 1,600	2,200 / 750	4,800	1,898	<b>1,102</b>	-	-	-	-
	2.0TDI 102PS	1,500 / 1,600	2,200 / 750	4,900	1,887	<b>1,113</b>	1,902	<b>1,098</b>	1,929	<b>1,071</b>
	2.0TDI 114PS BMT	1,500 / 1,600	2,200 / 750	4,900	1,898	<b>1,102</b>	1,913	<b>1,087</b>	1,937	<b>1,063</b>
	2.0TDI 140PS	1,550 / 1,600	2,500 / 750	5,200	1,922	<b>1,078</b>	1,937	<b>1,063</b>	1,964	<b>1,036</b>
	2.0TDI 140PS BMT	1,550 / 1,600	2,500 / 750	5,200	1,933	<b>1,067</b>	1,948	<b>1,052</b>	1,972	<b>1,028</b>
	2.0TDI 140PS DSG	1,550 / 1,600	2,500 / 750	5,300	1,939	<b>1,061</b>	1,954	<b>1,046</b>	1,981	<b>1,019</b>
	2.0TDI 140PS DSG BMT	1,550 / 1,600	2,500 / 750	5,300	1,950	<b>1,050</b>	1,964	<b>1,036</b>	1,989	<b>1,011</b>
	2.0TDI 140PS 4MOTION	1,600 / 1,600	2,500 / 750	5,300	2,042	<b>958</b>	2,057	<b>943</b>	2,084	<b>916</b>
	2.0TDI 140PS 4MOTION BMT	1,600 / 1,600	2,500 / 750	5,300	2,053	<b>947</b>	2,068	<b>932</b>	2,092	<b>908</b>
	2.0BiTDI 180PS	1,550 / 1,600	2,500 / 750	5,200	-	-	-	-	1,992	<b>1,008</b>
	2.0BiTDI 180PS BMT	1,550 / 1,600	2,500 / 750	5,200	-	-	-	-	1,993	<b>1,007</b>
	2.0BiTDI 180PS DSG	1,550 / 1,600	2,500 / 750	5,300	-	-	-	-	2,004	<b>996</b>
	2.0BiTDI 180PS DSG BMT	1,550 / 1,600	2,500 / 750	5,300	-	-	-	-	2,011	<b>989</b>
	2.0BiTDI 180PS 4MOTION	1,600 / 1,600	2,500 / 750	5,300	-	-	-	-	2,113	<b>887</b>
	2.0BiTDI 180PS 4MOTION BMT	1,600 / 1,600	2,500 / 750	5,300	-	-	-	-	2,114	<b>886</b>
	2.0BiTDI 180PS DSG 4MOTION	1,600 / 1,600	2,500 / 750	5,300	-	-	-	-	2,126	<b>874</b>
	2.0BiTDI 180PS DSG 4MOTION BMT	1,600 / 1,600	2,500 / 750	5,300	-	-	-	-	2,133	<b>867</b>
<b>T32</b>	3,200									
	2.0TDI 102PS	1,600 / 1,680	2,200 / 750	4,900	1,899	<b>1,301</b>	1,914	<b>1,286</b>	1,952	<b>1,248</b>
	2.0TDI 114PS BMT	1,600 / 1,680	2,200 / 750	4,900	1,910	<b>1,290</b>	1,925	<b>1,275</b>	1,955	<b>1,245</b>
	2.0TDI 140PS	1,675 / 1,680	2,500 / 750	5,200	1,934	<b>1,266</b>	1,949	<b>1,251</b>	1,986	<b>1,214</b>
	2.0TDI 140PS BMT	1,675 / 1,680	2,500 / 750	5,200	1,945	<b>1,255</b>	1,960	<b>1,240</b>	1,990	<b>1,210</b>
	2.0TDI 140PS DSG	1,650 / 1,680	2,500 / 750	5,300	1,952	<b>1,248</b>	1,967	<b>1,233</b>	2,002	<b>1,198</b>
	2.0TDI 140PS DSG BMT	1,650 / 1,680	2,500 / 750	5,300	1,962	<b>1,238</b>	1,976	<b>1,224</b>	2,008	<b>1,192</b>
	2.0TDI 140PS 4MOTION	1,700 / 1,720	2,500 / 750	5,300	2,054	<b>1,146</b>	2,069	<b>1,131</b>	2,106	<b>1,094</b>
	2.0TDI 140PS 4MOTION BMT	1,700 / 1,720	2,500 / 750	5,300	2,065	<b>1,135</b>	2,080	<b>1,120</b>	2,110	<b>1,090</b>
	2.0BiTDI 180PS	1,650 / 1,680	2,500 / 750	5,200	-	-	-	-	2,023	<b>1,177</b>
	2.0BiTDI 180PS BMT	1,650 / 1,680	2,500 / 750	5,200	-	-	-	-	2,024	<b>1,176</b>
	2.0BiTDI 180PS DSG	1,650 / 1,680	2,500 / 750	5,300	-	-	-	-	2,036	<b>1,164</b>
	2.0BiTDI 180PS DSG BMT	1,650 / 1,680	2,500 / 750	5,300	-	-	-	-	2,042	<b>1,158</b>
	2.0BiTDI 180PS 4MOTION	1,700 / 1,720	2,500 / 750	5,300	-	-	-	-	2,144	<b>1,056</b>
	2.0BiTDI 180PS 4MOTION BMT	1,700 / 1,720	2,500 / 750	5,300	-	-	-	-	2,145	<b>1,055</b>
	2.0BiTDI 180PS DSG 4MOTION	1,700 / 1,720	2,500 / 750	5,300	-	-	-	-	2,158	<b>1,042</b>
	2.0BiTDI 180PS DSG 4MOTION BMT	1,700 / 1,720	2,500 / 750	5,300	-	-	-	-	2,164	<b>1,036</b>
	2.0BiTDI 180PS Sportline	1,650 / 1,680	2,500 / 750	5,200	-	-	-	-	2,066	<b>1,134</b>
	2.0BiTDI 180PS Sportline DSG	1,650 / 1,680	2,500 / 750	5,300	-	-	-	-	2,078	<b>1,122</b>

Model/ gross vehicle weight kg	Engine/transmission	Axle load limit front/rear kg	Trailer weight braked 12%/ unbraked kg	Gross train weight kg	Unladen		Unladen		Unladen	
					weight <sup>1</sup> kg	Payload <sup>2</sup> kg	weight <sup>1</sup> kg	Payload <sup>2</sup> kg	weight <sup>1</sup> kg	Payload <sup>2</sup> kg
<b>Long wheelbase.</b>										
<b>T32</b>	3,200				<b>Startline</b>		<b>Trendline</b>		<b>Highline</b>	
	2.0TDI 102PS	1,625 / 1,680	2,200 / 750	4,900	1,962	<b>1,238</b>	1,977	<b>1,223</b>	2,014	<b>1,186</b>
	2.0TDI 114PS BMT	1,625 / 1,680	2,200 / 750	4,900	1,973	<b>1,227</b>	1,988	<b>1,212</b>	2,018	<b>1,182</b>
	2.0TDI 140PS	1,675 / 1,680	2,500 / 750	5,200	1,997	<b>1,203</b>	2,012	<b>1,188</b>	2,049	<b>1,151</b>
	2.0TDI 140PS BMT	1,675 / 1,680	2,500 / 750	5,200	2,008	<b>1,192</b>	2,024	<b>1,176</b>	2,121	<b>1,079</b>
	2.0TDI 140PS DSG	1,675 / 1,680	2,500 / 750	5,300	2,015	<b>1,185</b>	2,030	<b>1,170</b>	2,066	<b>1,134</b>
	2.0TDI 140PS DSG BMT	1,675 / 1,680	2,500 / 750	5,300	2,025	<b>1,175</b>	2,039	<b>1,161</b>	2,138	<b>1,062</b>
	2.0TDI 140PS 4MOTION	1,700 / 1,720	2,500 / 750	5,300	2,117	<b>1,083</b>	2,132	<b>1,068</b>	2,169	<b>1,031</b>
	2.0TDI 140PS 4MOTION BMT	1,700 / 1,720	2,500 / 750	5,300	2,128	<b>1,072</b>	2,144	<b>1,056</b>	2,241	<b>959</b>
	2.0BiTDI 180PS	1,675 / 1,680	2,500 / 750	5,200	-	-	-	-	2,086	<b>1,114</b>
	2.0BiTDI 180PS BMT	1,675 / 1,680	2,500 / 750	5,200	-	-	-	-	2,155	<b>1,045</b>
	2.0BiTDI 180PS DSG	1,675 / 1,680	2,500 / 750	5,300	-	-	-	-	2,100	<b>1,100</b>
	2.0BiTDI 180PS DSG BMT	1,675 / 1,680	2,500 / 750	5,300	-	-	-	-	2,172	<b>1,028</b>
	2.0BiTDI 180PS 4MOTION	1,700 / 1,720	2,500 / 750	5,300	-	-	-	-	2,207	<b>993</b>
	2.0BiTDI 180PS 4MOTION BMT	1,700 / 1,720	2,500 / 750	5,300	-	-	-	-	2,276	<b>924</b>
	2.0BiTDI 180PS DSG 4MOTION	1,700 / 1,720	2,500 / 750	5,300	-	-	-	-	2,222	<b>978</b>
	2.0BiTDI 180PS DSG 4MOTION BMT	1,700 / 1,720	2,500 / 750	5,300	-	-	-	-	2,294	<b>906</b>
	2.0BiTDI 180PS Sportline	1,675 / 1,680	2,500 / 750	5,200	-	-	-	-	2,157	<b>1,043</b>
	2.0BiTDI 180PS Sportline DSG	1,675 / 1,680	2,500 / 750	5,300	-	-	-	-	2,170	<b>1,030</b>

<sup>1</sup> Unladen weight figures are calculated with 100% fuel load and no driver.

<sup>2</sup> Payload = gross vehicle weight – unladen weight. Weights are for vehicles with standard specification.

Roof load limit 100kg (with two roof carriers) or 150kg (with at least four roof carriers). Only with low roof. Trailer nose weight 100kg.

The addition of factory options or Volkswagen Van Centre fitted accessories may affect unladen weight and payload.

## Service and warranties.

### Finance and insurance.

When it comes to paying for your van, we've got options including Contract Hire and Finance Lease, or Hire Purchase. We can also offer you competitive insurance.

#### A choice of packages.

Whether you prefer to lease your vehicles, with none of the concerns of ownership and the freedom to change models easily, or purchase outright to own the vehicle that's perfect for your business, we're here to help you make the best decision.

You can go flexible, by choosing a payment plan that suits your finances, with options to reduce your monthly costs and your repayment period. Or choose a fixed monthly price that allows you to budget confidently for the longer term.

You can even include your road tax and servicing costs to arrive at one simple, all-inclusive payment. For more information, pick up a finance brochure, or ask at your Van Centre.

#### Volkswagen insurance.

Volkswagen Commercial Vehicles Insurance provides cost-effective and comprehensive motor insurance, as well as gap insurance, which helps replace your vehicle and protect you from any financial shortfall if it's written off.

#### Insurance benefits include:

- Free seven-day cover to allow you to drive your vehicle away.
- All repairs performed by approved repairers.
- Volkswagen Genuine Parts® used on all repairs.
- Courtesy vehicle provided during repair following an accident.
- Cover for breakage and damage to glass.
- Tools-in-transit cover (up to £1,000).
- In-vehicle personal belongings cover (up to £500).
- Vehicle recovery.
- 60-day European Union cover.
- Legal expenses cover (up to £100,000).

For more information about motor and gap insurance products, ask at your Van Centre, call **0800 316 7896**, or visit [insurewithvvcv.co.uk](http://insurewithvvcv.co.uk).

<sup>1</sup> Business Vans Awards 2014: Best Service Package for Van Owners.

<sup>2</sup> Class 4 MOT only. This option is available to all new and used vehicles up to four years old or with less than 80,000 miles on the clock. Services must be used consecutively prior to vehicle reaching eight years old.

### Servicing and support.

We're here to keep your business moving, with our range of three award-winning<sup>1</sup> servicing and maintenance options, as well as free Roadside Assistance.

#### Pay monthly.

This option is available for vehicles that are less than 12 months old and have covered less than 10,000 miles. It makes budgeting easier by splitting the cost of servicing into fixed monthly payments – whether you want Service only, Service and Maintenance or Service, Maintenance and Tyres.

#### Pay upfront.<sup>2</sup>

If you can pay for more than one service upfront, we'll help by reducing your costs. Buy two upfront and you'll receive one interim and one full service at a discounted rate. Buy four and you'll receive two interim and two full services, with your next MOT also included.

#### Pay on demand.

If you're looking for freedom and flexibility with your servicing, it's good to know we're ready when you are. So with our third option, you can choose to pay for your services as and when you need them, with our National Service Pricing. Ask your Van Centre for an up-to-date pricing guide.

#### Roadside Assistance.

We understand the need to keep you mobile. That's why all new vans come with three-year, unlimited mileage roadside cover. Should the unexpected happen, one call gets you straight through to a team trained to help you through any breakdown or accident. Supporting you every day will be a team of vehicle technicians, fully-trained by Volkswagen and carrying the latest diagnostic equipment, specialist tools and parts.

#### Assistance benefits include:

- Assistance at home, by the roadside or place of work.
- Recovery to your preferred location.
- Onward travel, for you and your cargo.
- Cover 24 hours a day, 365 days a year.
- Free cover for three years (on new vehicles).
- Unlimited mileage.
- European cover.
- Option to extend cover beyond three years.

### Warranties.

You can count on us long after you purchase your Transporter, thanks to its comprehensive three-year, 100,000 mile warranty. You choose Volkswagen because your business depends on it, year in, year out.

While your Transporter is under warranty, we'll fix any defect in manufacture or workmanship free of charge, even if you purchase and service the vehicle at different Van Centres.

#### Extended warranty.

You can also extend your warranty beyond the three-year, 100,000 mile period, choosing either Comprehensive or Major Component cover, as a one-off or monthly payment. For full details of cover levels, along with terms and conditions, please visit [volkswagencvwarranty.co.uk](http://volkswagencvwarranty.co.uk) where you'll also be able to obtain a quote and purchase an extended warranty.

#### Paint and body warranty.

Your Transporter's exterior paintwork is covered against manufacturing defects for a period of three years, while its body sections and panels are covered against rusting through from the inside for 12 years. Some exclusions apply and the vehicle must be cared for using the guidance in your owner's manual.

**Please note:** Print processes do not allow exact reproduction of the paint and upholstery colours. Some of the vehicles shown are European specification and may be fitted with optional equipment or accessories that are available at extra cost, or do not reflect current specification. All data and specifications are in accordance with information available at the time of going to print and are subject to change without notice. Vehicles not currently in UK stock and customer order vehicles may take a number of weeks for delivery. Certain combinations of vehicle specifications and factory-fitted extras are not compatible and therefore all orders received are subject to confirmation. Models, factory fitted-options and paint and upholstery options are subject to availability. Please check details and availability with an authorised Volkswagen Van Centre at the time of ordering.

Volkswagen Commercial Vehicle Finance is a trading name of Volkswagen Financial Services (UK) Limited, Brunswick Court, Yeomans Drive, Blakelands, Milton Keynes MK14 5LR. Registered in England number: 2835230. An offer of finance depends on certain conditions. Subject to status, indemnities may be required. Available to over 18s in the UK only. Volkswagen Commercial Vehicle Insurance is a trading name of Volkswagen Insurance Service (Great Britain) Limited, an appointed representative of Volkswagen Financial Services (UK) Limited, registered in England number: 2835230 (registered office: Brunswick Court, Yeomans Drive, Blakelands, Milton Keynes MK14 5LR). Volkswagen Commercial Vehicle Insurance motor insurance is sold, underwritten and administered by Allianz Insurance plc., registered in England number: 84638 (registered office: 57 Ladymead, Guildford, Surrey GU1 1DB). Volkswagen Financial Services (UK) Limited is authorised and regulated by the Financial Conduct Authority. Financial Services Register number: 311988. Allianz Insurance plc is authorised by the Prudential Regulation Authority and regulated by the Financial Conduct Authority and the Prudential Regulation Authority. Financial Services Register number: 121849. Volkswagen Financial Services (UK) Limited and Allianz Insurance plc are not part of the same corporate group.



Add extra style, protection and practicality to your van, while still keeping it 100% Volkswagen.

#### Add more with Add Ons...

Accessories allow you to go beyond options and truly customise your van. You might want extra capacity with roof attachments or a tow bar, add cab technology or even convert a work van into a weekend leisure vehicle. Whatever you need, there's something in our Add Ons range for you.

#### Keep it 100% Volkswagen.

There are big advantages to purchasing approved accessories from us. Add Ons have all been designed with your Volkswagen in mind, so they're a perfect match for fit and style. They're also rugged, reliable and long-lasting.

#### Keep your Add Ons covered.

Most Add Ons include a two-year warranty, but the great news is that if you order and fit them when you purchase a new van, we may be able to extend that to three years to match your vehicle's warranty. Ask your Van Centre for more details.

# Transporter vans

**VW MY15 TRANS2**

**This brochure supersedes all previous publications.**

**Issue: November 2014**

**Internet: [www.volkswagen-vans.co.uk](http://www.volkswagen-vans.co.uk)**