

December 2015



Das Auto.

The new  
**Caravelle**

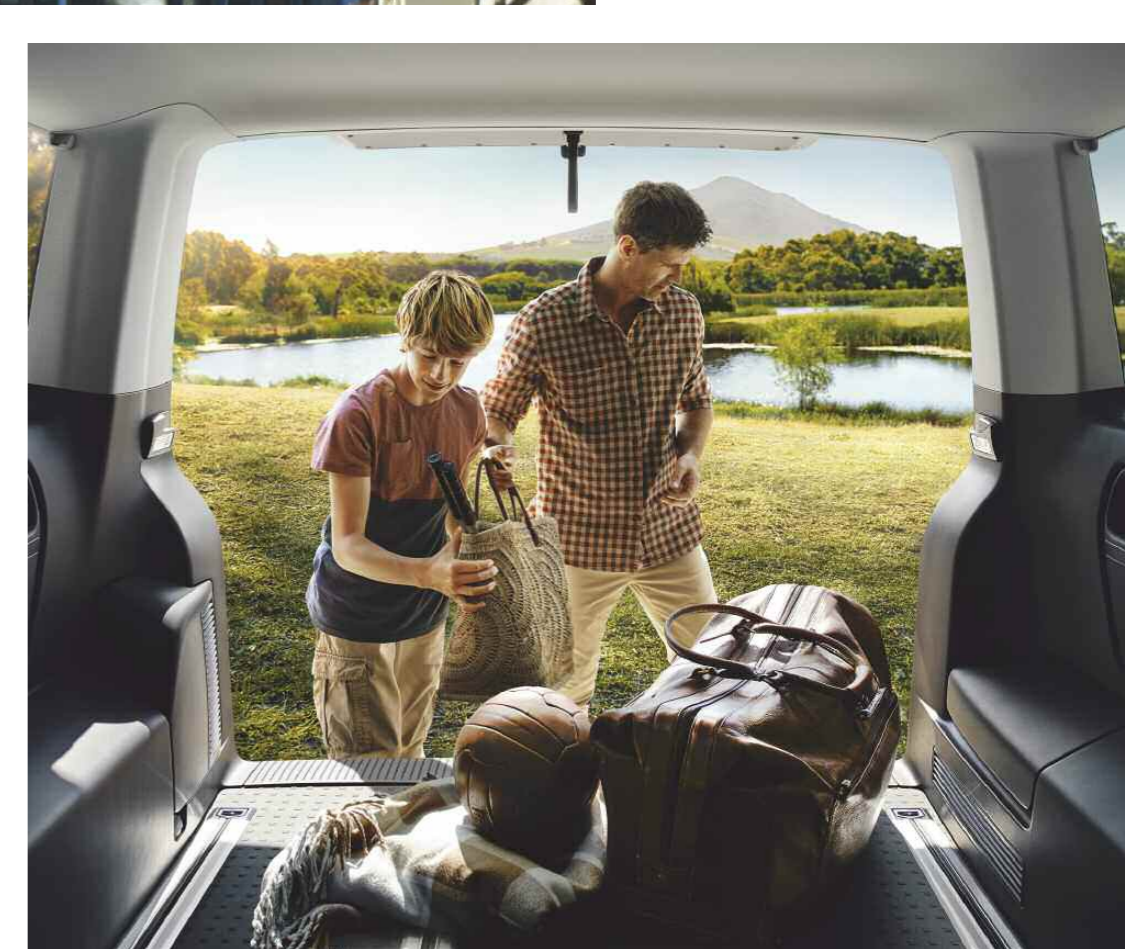


## Your companion for the journey.

The beautifully engineered new Caravelle opens a world of possibilities and delivers both space and flexibility. Few vehicles are able to challenge the high levels of practicality, durability and luxury it offers. Seating up to seven, the Caravelle features a clever floor-mounted rail system that enables seats to be easily removed or repositioned, offering literally dozens of interior combinations. Even when fully-loaded with passengers, the Caravelle's rear luggage space ensures occupants have plenty of space to store their kit and still have ample room to relax. When choosing a Caravelle, you choose a vehicle that's equally at home carrying a large family as it is carrying clients to an airport. It's designed to make a statement and stand out from the crowd, but above all, it's a vehicle to use and enjoy.



- 04 Design.
- 06 Interior and infotainment.
- 08 Comfort and flexibility.
- 10 Safety systems.
- 12 Assistance systems.
- 14 Engines and gearboxes.
- 16 BlueMotion Technology.
- 18 4MOTION all-wheel drive.
- 20 Caravelle SE.
- 22 Caravelle Executive.
- 24 Standard equipment.
- 26 Paint, upholstery and trim.
- 28 Alloy wheels, audio and communications.
- 30 Mobile online services.
- 31 Engines and gearbox data.
- 32 Economy and performance.
- 32 Weights.
- 33 Dimensions.
- 34 Service and warranties.



## Designed to make a statement.

The new Caravelle demonstrates great design, yet still remains true to its roots. With assured styling, defined contours, large windows and features like striking LED tail lights, it's designed to make a statement. The Caravelle is now available with a new range of stylish alloy wheels and a wide selection of attractive exterior paint colours – all designed to help it stand out from the crowd.



01



02



03



- 01 Optional LED headlights with low energy LED daytime running lights.
- 02 Standard low energy LED tail lights.
- 03 Optional 18" Springfield alloy wheels.



- 01 Optional two-port USB interface.
- 02 Optional App-Connect system.
- 03 Optional Composition Media DAB+ radio system.



## The new infotainment systems.

When you get behind the wheel of the new Caravelle, you'll be greeted by an ergonomic, highly-specified interior with high-class finishing and an exclusive atmosphere. With the latest generation Caravelle, we've taken things a step further by introducing range of stylish and innovative radio and infotainment systems.

**Radio and navigation.** Devices include the standard Composition Colour touch-screen DAB+ radio system and optional Composition Media DAB+ radio system.

**Voice recognition.** Available as an option, the voice control system allows you to operate the telephone, navigation and audio functions without taking your hands off the steering wheel.

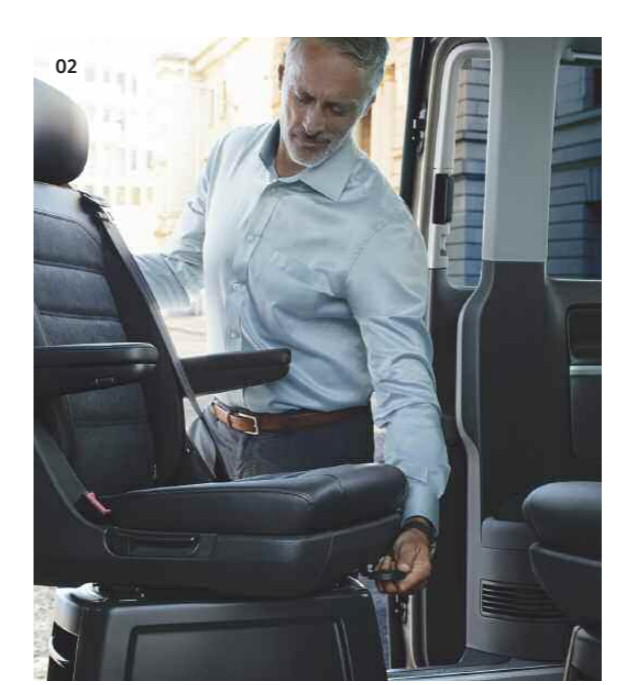
**App-Connect.** Available as an option, App-Connect allows you to operate special apps. The screen of your smartphone can be shown on the radio system's display.

**Connectivity package.** Available as an option, external media devices, such as MP3 players, can be connected via the USB port. Additionally, the standard mobile phone interface offers a Bluetooth® hands-free speaking system.

**Volkswagen Media Control.** Available as an option, your smartphone or tablet is turned into a remote control and able to operate the audio system functions from the rear seats via a Wi-Fi connection.

## Comfort and flexibility.

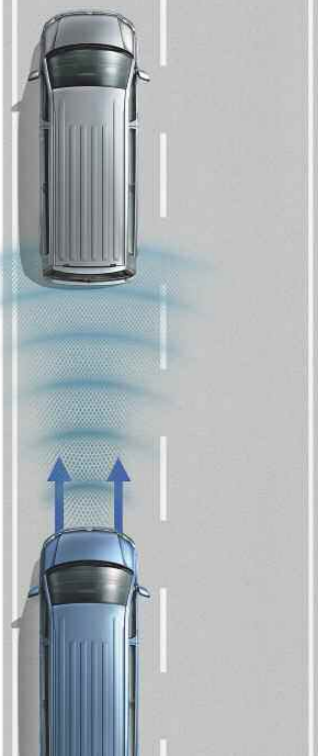
The new Caravelle offers a world of possibility when it comes to combining flexibility and space. Featuring moulded trim and deluxe headlining, sumptuous upholstery, heat insulating glass, rear heating systems, multiple air vents and sunblinds on rear side windows – it delivers a comfortable and controlled atmosphere that feels like home. Seating up to seven including the driver, the Caravelle incorporates 360° swivelling and folding seats on the second row and a newly designed three-seat bench at the rear. The clever floor-mounted rail system enables rear seats and the multi-functional table (which folds, swivels and adjusts for height), to be located securely in countless configurations. If required, rear seating can be removed to create a large, flat load area. In fact, when you need to comfortably carry a large number of passengers, as well as their luggage, the new Caravelle is hard to beat.



Main image shows the Caravelle Executive interior.

- 01 The Caravelle's ingenious floor-mounted rail system shown with optional rubber flooring.
- 02 Standard 360° swivelling and removable seats in the second row.





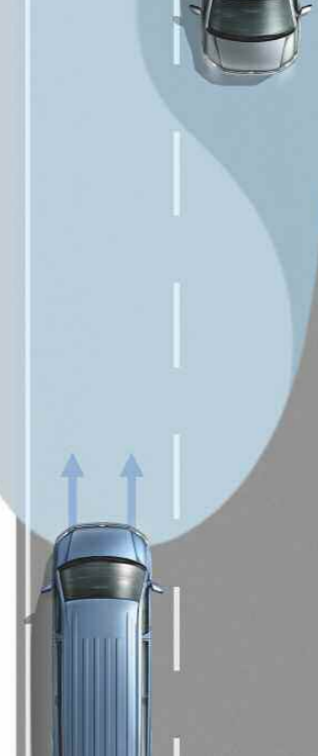
**Adaptive Cruise Control (ACC).**

Available as an option, ACC uses a front radar to measure the distance (up to 120m) and speed relative to vehicles driving ahead. It automatically regulates the pre-set distance. ACC also includes the **Front Assist area monitoring system with City Emergency Braking System**. This detects critical distances, warns of hazardous situations and when necessary, triggers emergency braking.



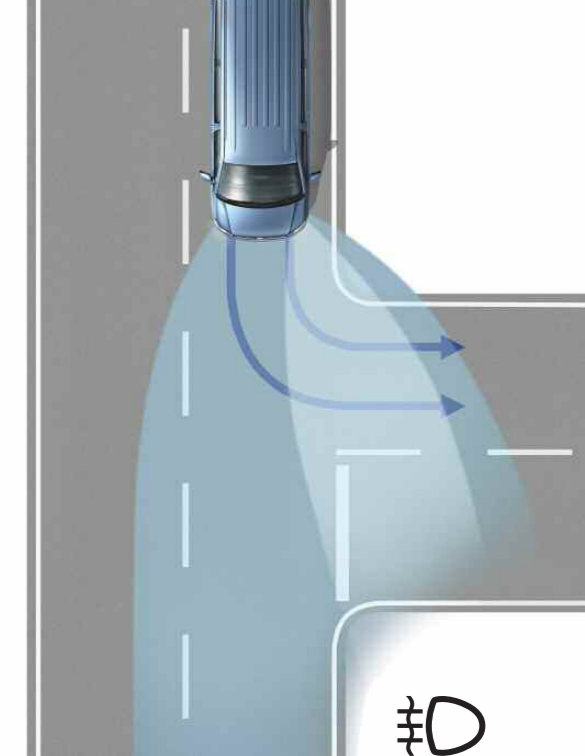
**Lane Change Assist - Side Scan.**

Available as an option, Side Scan displays a warning signal on the exterior mirror as soon as one of its sensors detects a vehicle in a blind spot during a lane change.



**High Beam Assist.**

Available as an option, High Beam Assist automatically dips the headlights and prevents dazzle for oncoming vehicles, or vehicles travelling ahead. At night time at speeds of above 37mph, the system automatically switches the headlights to high-beam.



**Fog lights with integrated cornering lights.**

Fitted as standard on all Caravelles, these help to illuminate curves and bends in the road ahead. This aids the driver in spotting any obstacles where the vehicle is turning.

## Advanced driver assistance systems.

To help ensure every journey ends as stress-free as it begins, the new Caravelle is equipped with a number of systems – all of which are activated in critical situations as a preventative measure. Add to this a variety of new and innovative driver assistance systems and you'll discover the new Caravelle offers high levels of safety and peace-of-mind.



01 Optional parking sensor display.



02 Optional rear-view camera display.



**Cruise control.**

Standard on Executive and optional on SE, cruise control maintains the selected speed, or limits the top speed to a value set by the driver.



**Driver Alert System.**

Fitted as standard, the Driver Alert System registers deviation from normal steering patterns and uses visual and acoustic warnings to recommend that the driver takes a break.



**Brake Assist.**

Fitted as standard, the system registers the speed at which the brake pedal is pressed. During emergency braking, it helps ensure full brake pressure is applied more quickly.



**Daytime running lights.**

Fitted as standard, daytime running lights offer increased visibility. For extra driver convenience, the dipped beam headlights are automatically switched on when you start your vehicle.



**Hill Hold Assist.**

Fitted as standard, the convenient Hill Hold Assist helps to prevent your vehicle from rolling back when pulling away on an incline. The hold operates for approximately two seconds.



**Tyre pressure monitoring.**

The standard tyre pressure monitoring display activates a warning signal to highlight significant changes in tyre pressure. This lets the driver know that the tyre pressure should be checked as soon as possible.

## New TDI and BiTDI engines with the Euro 6 emissions standard.

### The new Caravelle engine range.

**EURO**  
**6**

#### 2.0 litre TDI 150PS (110kW).<sup>1</sup>

Combined cycle fuel consumption: 44.8-47.1mpg  
CO<sub>2</sub> emissions: 164-155g/km  
Maximum torque: 340Nm

#### 2.0 litre BiTDI 204PS (150kW).<sup>1</sup>

Combined cycle fuel consumption: 42.2-44.8mpg  
CO<sub>2</sub> emissions: 176-164g/km  
Maximum torque: 450Nm

<sup>1</sup> Standard EU test figures for comparative purposes and may not reflect real driving results. For full mpg and CO<sub>2</sub> data refer to page 32.

### Euro 6 is achieved by applying the following technologies.

#### Selective Catalytic Reduction (SCR).

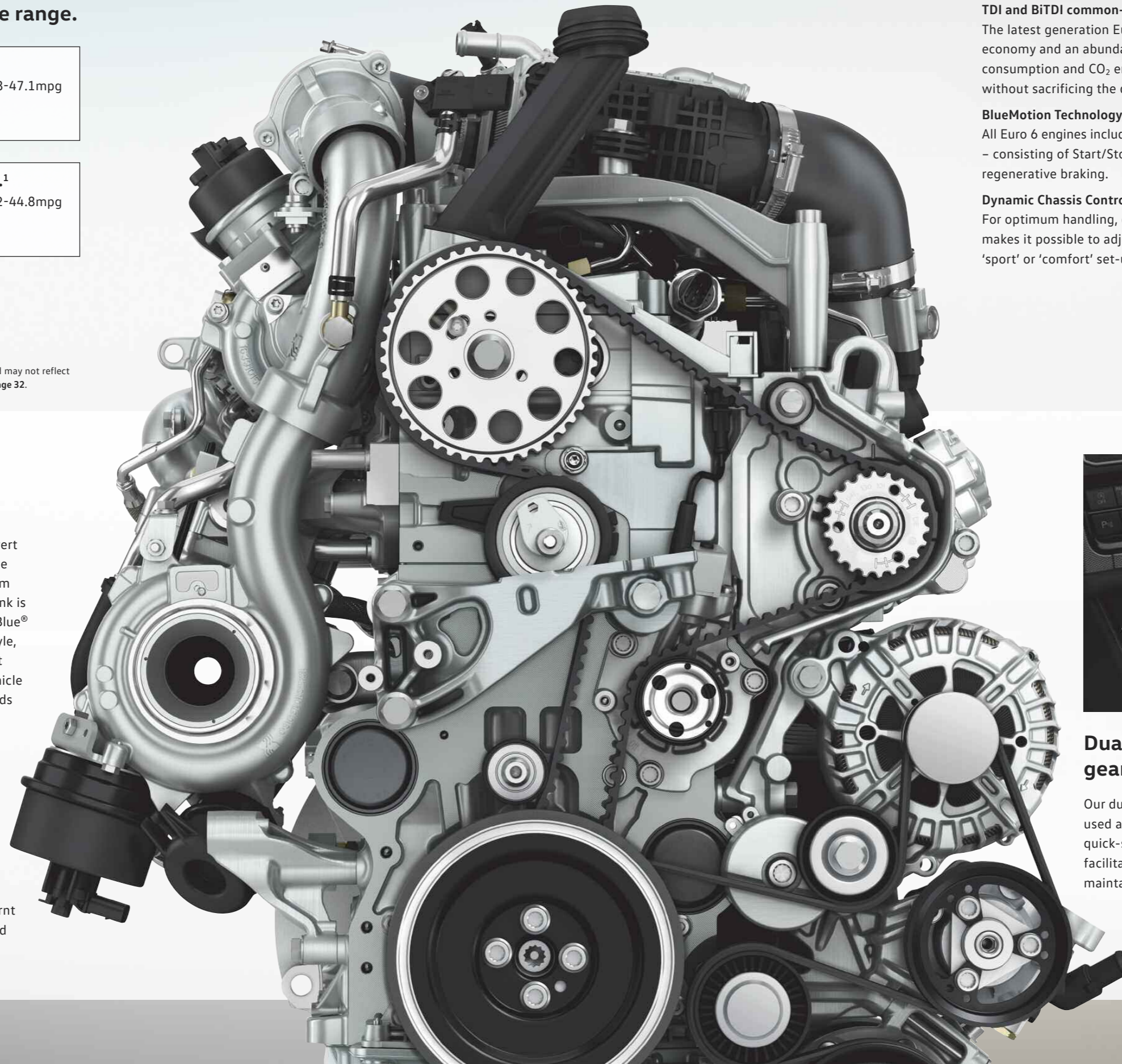
The SCR system uses AdBlue® urea solution to convert nitrogen oxide into nitrogen and water. If the vehicle is equipped with this kind of emission control system for diesel engines, the filler neck for the AdBlue® tank is located below the filler cap for the fuel tank. The AdBlue® consumption figures depend on individual driving style, the system's operating temperature and the ambient temperature that the vehicle is operated in. The vehicle is fitted with a separate tank for AdBlue® which holds approximately 13 litres.

#### Exhaust Gas Recirculation (EGR).

In our diesel engines, exhaust gas recirculation is a technique that is used to reduce nitrogen oxide (NO<sub>x</sub>) emissions. EGR works by recirculating a percentage of the engine's exhaust gas back to the engine cylinders.

#### Diesel Particulate Filter (DPF).

The DPF captures soot particles in the exhaust gas. Periodically, the soot particles are automatically burnt under high temperatures to regenerate the filter and maintain exhaust gas emissions.



#### TDI and BiTDI common-rail diesel engines.

The latest generation Euro 6 engines provide excellent economy and an abundance of usable torque. Both fuel consumption and CO<sub>2</sub> emissions have been reduced without sacrificing the driving dynamics.

#### BlueMotion Technology.

All Euro 6 engines include BlueMotion Technology as standard – consisting of Start/Stop, low rolling resistance tyres and regenerative braking.

#### Dynamic Chassis Control (DCC).

For optimum handling, optional Dynamic Chassis Control makes it possible to adjust the running gear to a 'normal', 'sport' or 'comfort' set-up at the touch of a button.



### Dual clutch direct shift gearbox (DSG).

Our dual clutch direct shift gearbox (DSG) can be used as a fully automatic gearbox, or as a responsive quick-shift manual. The innovative dual clutch system facilitates an instant gear change, whilst helping to maintain swift and smooth progress.



## BlueMotion Technology.

BlueMotion Technology (BMT) is included as standard on all Caravelle SE and Executive models. BMT consists of three key elements, namely Start/Stop, low rolling resistance tyres and regenerative braking. Together, they contribute to improvements in fuel consumption and CO<sub>2</sub> emissions.



**Standard on all Caravelle engines, BlueMotion Technology consists of three key elements.**

**Start/Stop.**

Automatically turns the engine off when you stop and engage neutral. As soon as it's time to move, the engine starts up again. A simple, but highly-effective system.

**Low rolling resistance tyres.**

These don't need to work as hard to get your vehicle moving (and keep it rolling) which is especially useful when shifting heavy loads. As friction between the tyre and the road is reduced the engine has to work less.

**Regenerative braking.**

When you brake, the energy recuperation system uses momentum to turn the alternator and charge the battery. This way the system makes the most of the energy when you brake.





## 4MOTION all-wheel drive.

The new Caravelle offers a number of innovative features to help retain traction, optimum handling and outstanding steering response when encountering poor surface conditions.

**A new generation of 4MOTION all-wheel drive.**  
The advantages of the new Haldex clutch for the 4MOTION all-wheel drive include reduced weight, a decrease in fuel consumption and an improvement to vehicle handling and dynamics.

**4MOTION all-wheel drive with DSG.**  
The new Caravelle is the only vehicle in its class that's available with 4MOTION all-wheel drive and a 7-speed, dual clutch direct shift gearbox (DSG). Available as an option, this combination enables smooth driving on rugged terrain, thanks to its fully automatic gear changes.

**Hill Descent Control.**  
This useful option allows you to drive down steep slopes in a safe and controlled manner, thanks to the engine management's ability to govern the engine speed and apply the brakes if necessary. The vehicle's speed is maintained at a steady pace, without the driver needing to have additional input.

**Mechanical differential lock.**  
The mechanical differential lock is available for the rear axle together with optional 4MOTION all-wheel drive. This helps to maintain traction when you encounter adverse conditions, such as rain, snow, mud or gravel.

Wading depth.<sup>1</sup>



Ramp angle.<sup>2</sup>



Approach and departure angles.<sup>2</sup>



Hill climbing ability.<sup>3</sup>



<sup>1</sup> Measured with a full load and max. 18mph.

<sup>2</sup> Measured with standard equipment and a full load.

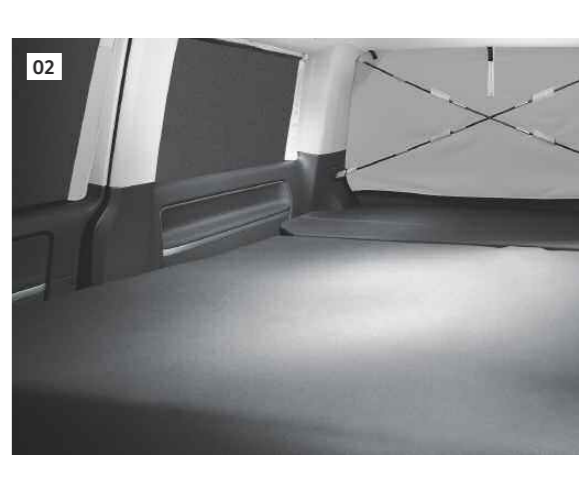
<sup>3</sup> Measured with a 180PS BiTDI engine and a vehicle weight of 3.0t.

# Caravelle SE.

Designed for families and businesses alike, the new Caravelle SE incorporates practicality, versatility and high levels of desirability. It's robust enough for a wide range of uses, yet cossets passengers in a shell that's as safe as it is luxurious. To increase passenger comfort, features such as deluxe headlining with ventilation strips and integrated swivelling reading lights, Pandu cloth upholstery, heat-reflective glass and roller blinds for the rear side windows, help to create the right atmosphere. Combine this with twin power latching side sliding doors, Clayton or Devonport alloy wheels (depending on engine choice), front fog lights with cornering lights, body-coloured door mirrors, handles and bumpers with chrome detailing on the upper grille and you'll discover the SE is as desirable as it is practical.



Main image features optional 17" Timaru alloy wheels.



**01** Control unit for the Caravelle's optional auxiliary heater with programmable parking function, remote control and second battery.

**02** Optional Good Night pack with window blinds, bed covering, storage under the three-seat rear bench, mini flashlight and waste bin.

# Caravelle Executive.

When your emphasis is on luxury and style, the new Caravelle Executive offers the answer. On top of the comprehensive features found in the SE, you'll find additions that transform the Executive into a highly desirable vehicle for the discerning. From the moment you enter through its twin electric side sliding doors and stainless steel door steps, the quality is evident with sumptuous leather and Alcantara® upholstery, heated front seats, Climatronic three-zone automatic air conditioning and a deluxe instrument panel. Add to this a power latching tailgate, privacy glass, chrome exterior detailing and stylish 17" Cascavel two-tone Black/Silver diamond-turned alloy wheels and the Executive's exterior becomes a perfect match for its opulent interior.



**01** The Executive's interior featuring the multi-function table – standard on both Executive and SE.

**02** Optional multi-flex board with cushion.  
**03** Optional above-cab electric sliding sunroof with sunblind.

**04** Optional Digital Voice Enhancement (DVE) provides voice amplification in the passenger compartment.

## Caravelle SE standard equipment.

### Audio and communications.

Bluetooth® phone connectivity with trip computer and multi-function display.

Composition Colour DAB+ radio system with 5" touch-screen, single MP3 compatible CD drive, SD card slot, AUX-IN socket and eight speakers.

USB connection in glove compartment or storage shelf.

### Interior.

Carpet floor covering.

Climatic semi-automatic air conditioning with second heater in rear passenger area.

Comfort dashboard with wide centre console and bottle compartment.

Deluxe headlining in passenger compartment with two ventilation strips and integrated swivelling reading lights.

Driver Alert System.

Driver and passenger seats with armrests, height and lumbar adjustment.

Electric front windows.

Grab handle on 'A' pillars for driver and front passenger.

Illuminated interior entry steps.

Interior light and reading lamps.

Leather steering wheel, gearknob and gaiter.

Lockable glove compartment.

Luggage compartment cover for three-seat rear bench.

Multi-functional table.

'Pandu' cloth upholstery.

Rail system for numerous seat and table configurations.

Six securing points in passenger and luggage compartment.

Storage net on lower dash passenger side.

Sunblinds for side windows in rear passenger area.

Three-seat rear bench with ISOFIX child seat mounting points on outer two seats and top tether anchorage.

Two longitudinally adjustable, swivelling and removable seats with ISOFIX child seat mounting points.

12v socket.

### Exterior.

Body-coloured door mirrors and handles, rear bumper and front bumper with chrome detailing in upper grille.

Daytime running lights.

Door mirrors – electrically heated and adjustable.

Front fog lights with cornering lights.

Halogen twin headlights.

Heat-reflective glass.

LED tail lights.

Side sliding doors on driver and passenger side with power latching.

Tailgate with heated rear window and wash-wipe.

### Safety and security.

Airbags – driver, front passenger (with deactivation switch), front seats with head and side airbags.

Anti-lock Braking System (ABS).

Brake Assist System (BAS).

Electronic Brakeforce Distribution (EBD).

Electronic Differential Lock (EDL).

Electronic Stabilisation Programme (ESP).

First aid kit and warning triangle.

Height and rake adjustable steering column.

Hill Hold Assist.

Remote central locking with interior locking switch and two remote folding keys.

Thatcham Category 1 approved alarm and immobiliser with tow-away protection.

Traction Control System (TCS).

### Wheels and tyres.

16" x 6.5J Clayton alloy wheels fitted with 215/65 R16 tyres (150PS short wheelbase).

17" x 7J Devonport alloy wheels fitted with 235/55 R17 tyres (150PS long wheelbase and 204PS engine).

Full size steel spare wheel.

Tool kit and jack.

## Caravelle Executive equipment in addition to SE.

### Interior.

Automatically dimming rear-view mirror and rain sensor.

Climatronic three-zone automatic air conditioning for driver, front passenger and rear passenger area.

Cruise control.

Deluxe instrument panel with four-eye instrument cluster, including TFT colour display and premium multi-function display.

Folding centre armrest in three-seat bench.

Heated front seats.

Leather and Alcantara® upholstery.

Leather multi-function steering wheel.

Servotronic (speed dependant) power steering.

### Exterior.

Chrome package – chrome detailing on the sides, tailgate, front fog lights and lower front grille.

Electric side sliding doors.

Heated windscreen.

Heated windscreen-washer jets

Privacy glass in rear passenger area.

Stainless steel door steps and tailgate load sill.

Tailgate – power latching.

### Wheels and tyres.

17" x 7J Cascavel alloy wheels with Black/Silver diamond-turned surface.

235/55 R17 optimised rolling resistance tyres.



- 01 16" Clayton alloy wheels. Standard on SE 150PS short wheelbase.
- 02 17" Devonport alloy wheels. Standard on SE 150PS long wheelbase and 204PS.
- 03 Climatic air conditioning for cab and rear passenger area.
- 04 Composition Colour DAB+ radio system.
- 05 Securing points throughout rear passenger area and load compartment.

- 06 Sunblinds for side windows in rear passenger area.
- 07 17" Cascavel alloy wheels with Black/Silver diamond-turned surface.
- 08 Climatronic three-zone automatic air conditioning and heated seats.
- 09 Cruise control. Featured as part of the leather multi-function steering wheel.
- 10 Electrically operated side sliding doors.

# Paint, upholstery and trim.

Formulated to withstand the rigours of everyday life, the new Caravelle's paint and upholstery are designed to stand the test of time. As you'd expect from any Volkswagen, exterior paints offer a smooth and tough finish, while the interior upholstery is made from high-quality materials that are both attractive and robust.

### Solid paint.



Candy White. Cherry Red.

### Seat upholstery.



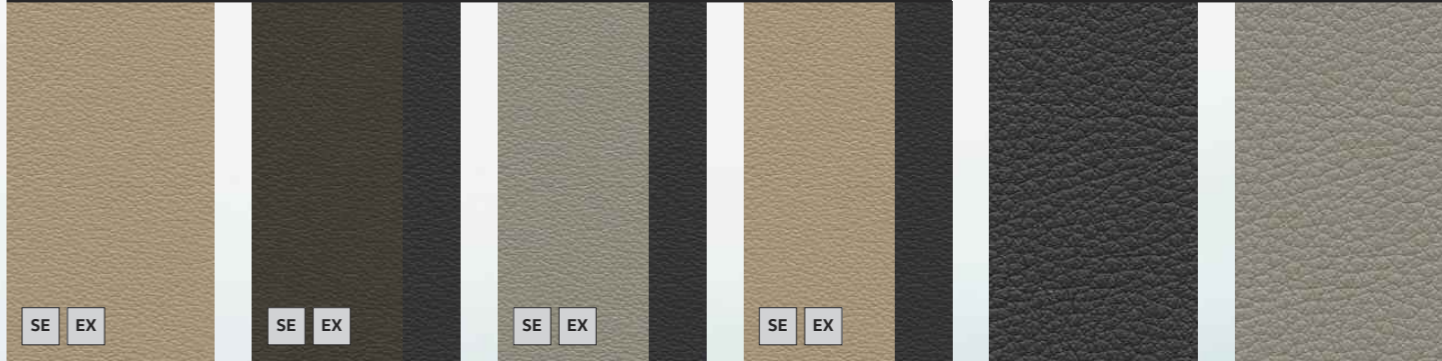
Pandu. Titanium Black cloth. Pandu. Moonrock Grey cloth. Alcantara<sup>®2</sup> Titanium Black. Alcantara<sup>®2</sup> Moonrock Grey. Nappa leather.<sup>1</sup> Titanium Black. Nappa leather.<sup>1</sup> Moonrock Grey.

### Metallic paint.<sup>1</sup>



Reflex Silver. Indium Grey. Mojave Beige. Chestnut Brown. Bamboo Garden Green. Acapulco Blue.

### Interior colours.



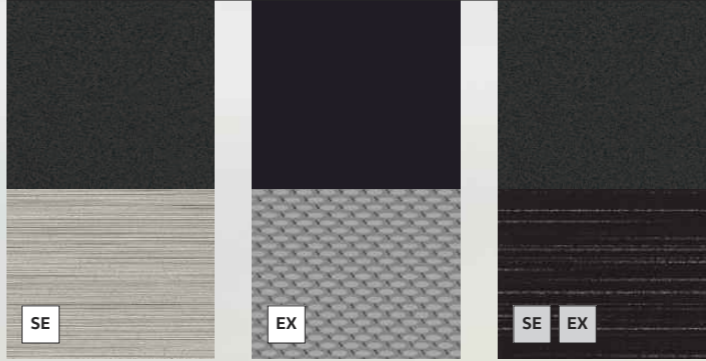
Nappa leather.<sup>1</sup> Desert Beige. Nappa leather.<sup>1</sup> Mocha Brown/Titanium Black. Nappa leather.<sup>1</sup> Moonrock Grey/Titanium Black. Nappa leather.<sup>1</sup> Desert Beige/Titanium Black. Titanium Black. Moonrock Grey.

### Pearl effect paint.<sup>1</sup>



Starlight Blue. Blackberry. Oryx White. Deep Black.

### Decorative inserts and trim.



Piano Black inserts/Dark Silver brushed trim. Black Glossy inserts/Structural X trim. Piano Black inserts/Linearus trim.<sup>1</sup>



01 Interior colour. 02 Decorative insert. 03 Decorative trim.

**Please note:** Not all paint and upholstery combinations can be ordered together and in some instances certain combinations may incur extra cost. Not all paint finishes may be available for every trimline. Please check details and availability with your Volkswagen Van Centre at the time of ordering. Print processes do not allow exact reproduction of paint and upholstery colours.

<sup>1</sup> Available at extra cost. <sup>2</sup> Standard on Caravelle Executive, available at extra cost on Caravelle SE.

**Key:**  
 Standard  Optional  
 SE - Caravelle SE EX - Caravelle Executive

# Wheels and tyres.

## Clayton.

16 x 6.5J alloy wheels with 215/65 R16 or 205/65 R16 tyres. Standard on Caravelle SE 150PS short wheelbase.



# 16"

## Cascavel.

Anthracite with diamond-turned surface. 17 x 7J alloy wheels with 235/55 R17 or 215/65/17 tyres.



## Cascavel.

Black with diamond-turned surface. 17 x 7J alloy wheels with 235/55 R17 or 215/65/17 tyres. Standard on Caravelle Executive.

## Devonport.

17 x 7J alloy wheels with 235/55 R17 or 215/65/17 tyres. Standard on SE 150PS long wheelbase and 204PS engine.



# 17"



## Timaru.

17 x 7J alloy wheels with 235/55 R17 or 215/65/17 tyres.

## Toluca.

Black with diamond-turned surface. 18 x 8J alloy wheels with 255/45 R18 tyres.



# 18"

## Springfield.

Polished finish. 18 x 8J alloy wheels with 255/45 R18 tyres.

## Springfield.

18 x 8J alloy wheels with 255/45 R18 tyres.

# Audio and communications.



## Composition Colour DAB+ radio system.

Fitted as standard, the Composition Colour DAB+ radio system features a 5" TFT touch-screen colour display, USB port, Bluetooth®, SD card slot, AUX-IN interface, MP3 and WMA compatible CD drive, 4 x 20 watt output with eight speakers and a dual tuner with PhaseDiversity for optimum radio reception.



## Composition Media DAB+ radio system.

The optional Composition Media DAB+ radio system features an increased touch-screen size of 6.33" with proximity sensor, USB port, Bluetooth®, SD card slot, AUX-IN interface, MP3 and WMA compatible CD drive, 4 x 20 watt output with eight speakers and a dual tuner with PhaseDiversity for optimum radio reception. App-Connect is available as an option for this system.



## Discover Media satellite navigation system.

The optional Discover Media satellite navigation system builds on the strengths of the Composition Media DAB+ radio system by adding satellite navigation and a second integrated SD card slot compatible for map data. The system includes free updates for the pre-installed European maps through Volkswagen MapCare. App-Connect is available as an option for this system.

## Mobile online services.

### Optional App-Connect – Volkswagen apps.<sup>1</sup>

Download special Volkswagen apps to your mobile or tablet, such as 'Shared Audio', 'Drive & Track', 'Call & Remind', 'My Guide' and 'Sound Journey' to make every journey more pleasant and interesting. The apps provide you with information about your driving behaviour, guide you to parking spaces in the vicinity, make detailed suggestions about exciting destinations – all taking into account the weather and traffic data.

### Optional Car-Net Guide & Inform.<sup>2</sup>

Use Car-Net Guide & Inform to enhance your vehicle's optional Discover Media navigation system with online-based, up-to-date information services for greater convenience when travelling. For example, utilise real-time traffic information to avoid a sudden traffic jam, or refuel at the cheapest petrol station, or find a free parking space without the need for an infuriating search. Car-Net Guide & Inform helps you to reach your destination quickly and with the least amount of stress.



#### Online traffic information.

Save time and avoid stress with real-time traffic information, enabling you to avoid traffic jams by dynamically adapting your route.



#### Petrol stations.<sup>3</sup>

View the petrol stations with the cheapest fuel prices in your immediate vicinity. Your vehicle's fuel type is automatically identified.



#### Parking spaces.<sup>3</sup>

Save time and view available parking options, along with prices and opening hours.



#### Weather.

Stay up-to-date with the latest weather information while on the move.



#### Online special destination search.

Customised information about local services is sent directly to your touch-screen display.



#### News

Subscribe to personalised news categories and use the news feeds to stay up-to-date.



#### Online destination import.

Conveniently plan your driving destinations from home using the customer portal and retrieve them using the navigation system.



#### My special destinations.

Use the customer portal to save your preferred destinations while at home and import these into your vehicle's navigation system.



#### Vehicle status report.

Retrieve the latest service information and error messages from your vehicle.



#### Car-Net registration in a few easy steps:

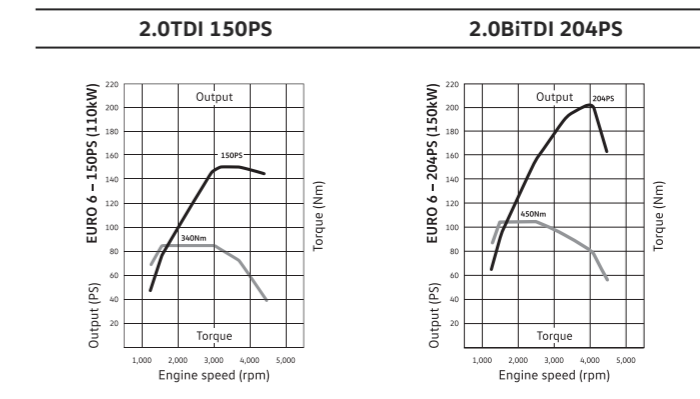
1. Create your personal account on the Car-Net website.
2. You will receive a registration code (PIN).
3. Enter your vehicle identification number (VIN).
4. Enter the PIN into your vehicle's navigation system.



## Engine and gearbox data.

Engine specifications.	2.0TDI 150PS	2.0BiTDI 204PS
Engine type	Diesel, transverse, water-cooled, in-line, variable turbine geometry turbocharger with intercooler	Diesel, transverse, water-cooled, in-line, bi-turbo with intercooler
Mixture preparation/injection method	Common-rail, direct injection	
EU exhaust emission standard	EURO 6	EURO 6
Number of cylinders	4	4
Cubic capacity	1,968cc	1,968cc
Output, PS at rpm	150 at 3,250-3,750	204 at 4,000
Torque, max. Nm at rpm	340 at 1,500-3,000	450 at 1,400-2,400
Fuel tank capacity	70 litre	70 litre
AdBlue® capacity	13 litre	13 litre
Diesel Particulate Filter (DPF)	●	●
6-speed manual gearbox	●	●
7-speed dual clutch gearbox (DSG)	○	○
Front-wheel drive	●	●
4MOTION all-wheel drive	○	○
BlueMotion Technology	●	●
Alternator	180A	180A
Battery – manual	68Ah (380A)	75Ah (420A)
Battery – DSG	75Ah (420A)	75Ah (420A)

● Standard ○ Available



<sup>1</sup> Available as an option, App-Connect is only available in conjunction with the Composition Media DAB+ radio system or the Discover Media satellite navigation system. App-Connect comprises MirrorLink™, CarPlay™ and Android Auto™. The availability of these technologies can vary depending on the country in question. Please note that App-Connect is not currently supported by all mobile telephones on the market. Volkswagen is working closely with major smartphone producers to promote broader compatibility for App-Connect.

<sup>2</sup> Available as an option, mobile online services (Car-Net) is only in conjunction with the Discover Media satellite navigation system. You will also require a mobile device that is capable of acting as a mobile wireless hotspot. Car-Net services are only available with an existing mobile network contract or one to be agreed separately for this purpose between you and your mobile phone network provider and only within the respective mobile phone network coverage. Depending on your mobile phone tariff, receiving data from the internet may incur additional charges, particularly if you are using the phone abroad. Due to the amount of data needed when using Car-Net services, we strongly recommend signing-up to a data flat rate with your mobile phone provider. Use of Car-Net is governed in a separate agreement with Volkswagen AG online. After taking possession of the vehicle, you have 90 days in which to register the vehicle at [www.volkswagen-commercial-vehicles-carnet.com](http://www.volkswagen-commercial-vehicles-carnet.com). The availability of Car-Net services may vary depending on the country in question. These services are available for the duration of the contract term agreed and may be subject to changes in terms of content during the contract period. More detailed information on Car-Net is available at [www.volkswagen-commercial-vehicles-carnet.com](http://www.volkswagen-commercial-vehicles-carnet.com) and from your Volkswagen Commercial Vehicles Van Centre. Contact your mobile network provider for information regarding your mobile network tariff.

<sup>3</sup> Available at participating petrol stations and car parks.



## Fuel consumption, performance and emissions.

Engine/transmission	Urban mpg (ltr/100km) <sup>1</sup>	Extra-urban mpg (ltr/100km) <sup>1</sup>	Combined mpg (ltr/100km) <sup>1</sup>	Acceleration 0-62 mph seconds	Top speed (where law permits) mph	CO <sub>2</sub> emissions g/km <sup>1</sup>
<b>Caravelle SE short wheelbase.</b>						
2.0TDI 150PS EU6 BMT 6-speed manual	38.2 (7.4)	51.4 (5.5)	45.6 (6.2)	12.9	113	161
2.0TDI 150PS EU6 BMT 7-speed DSG	42.2 (6.7)	50.4 (5.6)	47.1 (6.0)	13.0	112	155
2.0TDI 204PS EU6 BMT 6-speed manual	36.2 (7.8)	47.9 (5.9)	42.8 (6.6)	9.8	126	171
2.0TDI 204PS EU6 BMT 7-speed DSG	38.7 (7.3)	49.6 (5.7)	44.8 (6.3)	9.9	126	164
2.0TDI 204PS EU6 4MOTION BMT 6-speed manual	36.2 (7.8)	46.3 (6.1)	42.2 (6.7)	10.0	123	176
2.0TDI 204PS EU6 4MOTION BMT 7-speed DSG	37.7 (7.5)	46.3 (6.1)	42.8 (6.6)	10.1	123	172

### Caravelle SE long wheelbase.

2.0TDI 150PS EU6 BMT 6-speed manual	37.7 (7.5)	50.4 (5.6)	44.8 (6.3)	12.9	113	164
2.0TDI 150PS EU6 BMT 7-speed DSG	41.5 (6.8)	49.6 (5.7)	46.3 (6.1)	13.0	112	158
2.0TDI 204PS EU6 BMT 6-speed manual	35.3 (8.0)	47.1 (6.0)	42.2 (6.7)	9.8	126	175
2.0TDI 204PS EU6 BMT 7-speed DSG	38.7 (7.3)	49.6 (5.7)	44.8 (6.3)	9.9	126	164

### Caravelle Executive short wheelbase.

2.0TDI 150PS EU6 BMT 6-speed manual	38.2 (7.4)	51.4 (5.5)	45.6 (6.2)	12.9	113	161
2.0TDI 150PS EU6 BMT 7-speed DSG	42.2 (6.7)	50.4 (5.6)	47.1 (6.0)	13.0	112	155
2.0TDI 204PS EU6 BMT 6-speed manual	36.2 (7.8)	47.9 (5.9)	42.8 (6.6)	9.8	126	171
2.0TDI 204PS EU6 BMT 7-speed DSG	38.7 (7.3)	49.6 (5.7)	44.8 (6.3)	9.9	126	164
2.0TDI 204PS EU6 4MOTION BMT 6-speed manual	36.2 (7.8)	46.3 (6.1)	42.2 (6.7)	10.0	123	176
2.0TDI 204PS EU6 4MOTION BMT 7-speed DSG	37.7 (7.5)	46.3 (6.1)	42.8 (6.6)	10.1	123	172

## Weights.

Engine/transmission	Gross vehicle weight kg	Axle load limit front/rear kg	Trailer weight braked 12%/ unbraked kg	Gross train weight kg	Unladen weight <sup>2</sup> kg	Payload <sup>3</sup> kg
<b>Caravelle SE short wheelbase.</b>						
2.0TDI 150PS EU6 BMT 6-speed manual	3,000	1,610 / 1,575	2,500 / 750	5,200	2,304	696
2.0TDI 150PS EU6 BMT 7-speed DSG	3,000	1,610 / 1,575	2,500 / 750	5,300	2,328	672
2.0TDI 204PS EU6 BMT 6-speed manual	3,080	1,610 / 1,575	2,500 / 750	5,200	2,342	738
2.0TDI 204PS EU6 BMT 7-speed DSG	3,080	1,610 / 1,575	2,500 / 750	5,300	2,365	715
2.0TDI 204PS EU6 4MOTION BMT 6-speed manual	3,080	1,610 / 1,575	2,500 / 750	5,300	2,455	625
2.0TDI 204PS EU6 4MOTION BMT 7-speed DSG	3,080	1,610 / 1,575	2,500 / 750	5,300	2,475	605

### Caravelle SE long wheelbase.

2.0TDI 150PS EU6 BMT 6-speed manual	3,080	1,610 / 1,600	2,500 / 750	5,200	2,381	699
2.0TDI 150PS EU6 BMT 7-speed DSG	3,080	1,610 / 1,600	2,500 / 750	5,300	2,405	675
2.0TDI 204PS EU6 BMT 6-speed manual	3,080	1,610 / 1,600	2,500 / 750	5,200	2,404	676
2.0TDI 204PS EU6 BMT 7-speed DSG	3,080	1,610 / 1,600	2,500 / 750	5,300	2,427	653

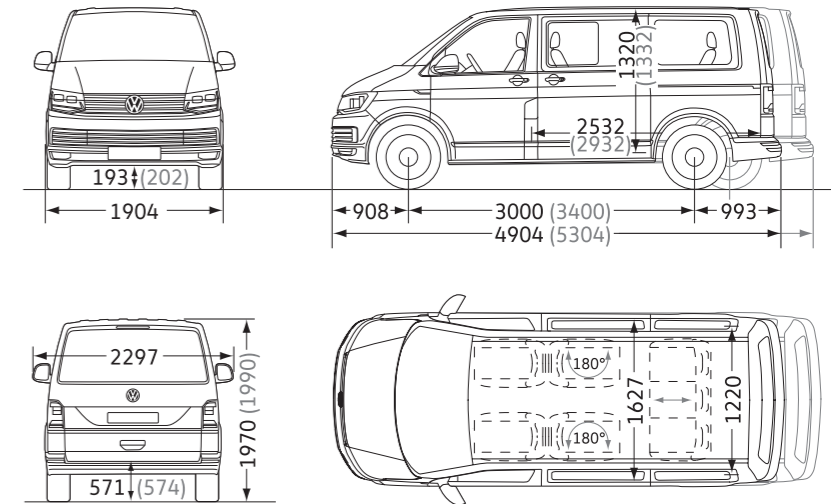
### Caravelle Executive short wheelbase.

2.0TDI 150PS EU6 BMT 6-speed manual	3,000	1,610 / 1,575	2,500 / 750	5,200	2,349	651
2.0TDI 150PS EU6 BMT 7-speed DSG	3,000	1,610 / 1,575	2,500 / 750	5,300	2,369	631
2.0TDI 204PS EU6 BMT 6-speed manual	3,080	1,610 / 1,575	2,500 / 750	5,200	2,386	694
2.0TDI 204PS EU6 BMT 7-speed DSG	3,080	1,610 / 1,575	2,500 / 750	5,300	2,405	675
2.0TDI 204PS EU6 4MOTION BMT 6-speed manual	3,080	1,610 / 1,575	2,500 / 750	5,300	2,499	581
2.0TDI 204PS EU6 4MOTION BMT 7-speed DSG	3,080	1,610 / 1,575	2,500 / 750	5,300	2,515	565

## Dimensions.

### Caravelle SE short and long wheelbase.

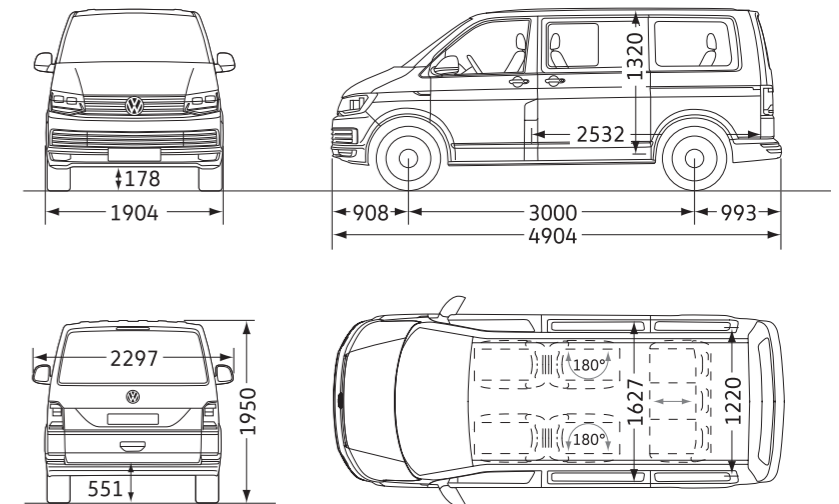
	SWB	LWB
Wheelbase	3,000	3,400
Load compartment	length	2,532
	width	1,627
	width between wheel arches	1,220
	height	1,320
	floor area	4.3m <sup>2</sup>
	load volume	5.8m <sup>3</sup>
Side sliding door	width	1,011
	height	1,247
Tailgate	width	1,438
	height	1,262
Turning circle (wall to wall)	11.9m	13.2m



Dimension figures in brackets refer to Caravelle SE LWB.

### Caravelle Executive short wheelbase.

	SWB	
Wheelbase	3,000	
Load compartment	length	2,532
	width	1,627
	width between wheel arches	1,220
	height	1,320
	floor area	4.3m <sup>2</sup>
	load volume	5.8m <sup>3</sup>
Side sliding door	width	1,011
	height	1,247
Tailgate	width	1,438
	height	1,262
Turning circle (wall to wall)	11.9m	



<sup>1</sup> Fuel consumption and CO<sub>2</sub> figures are obtained under standardised EU test conditions. This allows a direct comparison between different manufacturer models but may not represent the actual fuel consumption achieved in 'real world' driving conditions. In addition to the fuel efficiency of a vehicle, driving behaviour as well as other non-technical factors (such as environmental conditions, including weather and traffic) play a role in determining a vehicle's fuel consumption and CO<sub>2</sub> emissions. More information is available at [www.dft.gov.uk/vca](http://www.dft.gov.uk/vca). Other factors including trimline, extra equipment, options and accessories (wheels, tyres, etc.) may change vehicle parameters such as the weight, rolling resistance of the tyres and the aerodynamics and thus influence the fuel consumption, CO<sub>2</sub> emissions and driving performance values.

<sup>2</sup> Unladen weight includes approximately 90% fuel load and 75kg for driver.

<sup>3</sup> Payload = gross vehicle weight minus unladen weight. Quoted weights are for vehicles with standard specification. Unladen weight and payload may be influenced by trimline, factory options and Van Centre fitted accessories. Roof load limit: 100kg (with two roof carriers) or 150kg (with at least four roof carriers). Trailer nose weight: 100kg.

**Please note:** Vehicle drawings are not to scale. All dimensions are in millimeters (mm), unless otherwise stated. The height measurements listed may vary by ± 50mm depending on model and equipment fitted.

## Service and warranties.

### Finance and insurance.<sup>1</sup>

When it comes to paying for your vehicle, we've got options including Contract Hire and Finance Lease, or Hire Purchase. We can also offer you competitive insurance.

#### A choice of packages.<sup>2</sup>

Whether you prefer to lease your vehicles, with none of the concerns of ownership and the freedom to change models easily, or purchase outright to own the vehicle that's perfect for your business, we're here to help you consider your options.

You can go flexible, by choosing a payment plan that suits your finances, with options to reduce your monthly costs and your repayment period. Or choose a fixed monthly price that allows you to budget confidently for the longer term.

You can even include your road tax and servicing costs to arrive at one simple, all-inclusive payment. For more information, pick up a finance brochure, or ask at your Van Centre.

#### Volkswagen insurance.

Volkswagen Commercial Vehicles Insurance<sup>1</sup> provides cost-effective and comprehensive motor insurance<sup>3</sup>, as well as gap insurance<sup>4</sup>, which helps replace your vehicle and protect you from any financial shortfall if it's written off.

#### Insurance benefits include:

- Complimentary 5-day insurance cover to allow you to drive your vehicle away.
- All repairs performed by approved repairers.
- Volkswagen Genuine Parts<sup>®</sup> used on all repairs.
- Courtesy vehicle provided during repair following an accident.
- Cover for breakage and damage to glass.
- In-vehicle personal belongings cover (up to £250).
- Vehicle recovery.
- 90-day European Union cover.
- Legal expenses cover (up to £100,000).

For more information about motor and gap insurance products, ask at your Van Centre, call **0330 303 6942**, or visit [insurewithwcv.co.uk](http://insurewithwcv.co.uk).

<sup>1</sup>Business Vans Awards 2014: Best Service Package for Van Owners.

<sup>2</sup>Class 4 MOT only. This option is available to all new and used vehicles up to four years old or with less than 80,000 miles on the clock. Services must be used consecutively prior to vehicle reaching eight years old.

### Servicing and support.

We're here to keep your business moving, with our range of three award-winning<sup>5</sup> servicing and maintenance options, as well as free Roadside Assistance. Some exclusions apply. For more detail, please visit [www.volkswagen-vans.co.uk/aftersales](http://www.volkswagen-vans.co.uk/aftersales).

#### Pay monthly.

This option is available for vehicles that are less than 12 months old and have covered less than 10,000 miles. It makes budgeting easier by splitting the cost of servicing into fixed monthly payments – whether you want Service only, Service and Maintenance or Service, Maintenance and Tyres.

#### Pay upfront.<sup>6</sup>

If you can pay for more than one service upfront, we'll help by reducing your costs. Buy two upfront and you'll receive one interim and one full service at a discounted rate. Buy four and you'll receive two interim and two full services, with your next MOT also included.

#### Pay on demand.

If you're looking for freedom and flexibility with your servicing, it's good to know we're ready when you are. So with our third option, you can choose to pay for your services as and when you need them, with our National Service Pricing. Ask your Van Centre for an up-to-date pricing guide.

#### Roadside Assistance.

We understand the need to keep you mobile. That's why all new vans come with three-year, unlimited mileage roadside cover. Should the unexpected happen, one call gets you straight through to a team trained to help you through any breakdown or accident. Supporting you every day will be a team of vehicle technicians, fully-trained by Volkswagen and carrying the latest diagnostic equipment, specialist tools and parts.

#### Assistance benefits include:

- Assistance at home, by the roadside or place of work.
- Recovery to your preferred location.
- Onward travel, for you and your cargo.
- Cover 24 hours a day, 365 days a year.
- Free cover for three years (on new vehicles).
- Unlimited mileage.
- European cover.
- Option to extend cover beyond three years.

### Warranties.

You can count on us long after you purchase your Caravelle, thanks to its comprehensive three-year, 100,000 mile warranty. You choose Volkswagen because your business depends on it, year in, year out. While your Caravelle is under warranty, we'll fix any defect in manufacture or workmanship free of charge, even if you purchase and service the vehicle at different Van Centres. Some exclusions apply and the vehicle must be cared for using the guidance in your owner's manual. For more detail, please visit [www.volkswagen-vans.co.uk/aftersales](http://www.volkswagen-vans.co.uk/aftersales).

#### Extended warranty.

You can also extend your warranty beyond the three-year, 100,000 mile period, choosing either Comprehensive or Major Component cover, as a one-off or monthly payment. For more detail of cover levels, along with terms and conditions, please visit [volkswagencvwarranty.co.uk](http://volkswagencvwarranty.co.uk) where you'll also be able to obtain a quote and purchase an extended warranty.

#### Paint and body warranty.

Your Caravelle's exterior paintwork is covered against manufacturing defects for a period of three years, while its body sections and panels are covered against rusting through from the inside for 12 years. Some exclusions apply and the vehicle must be cared for using the guidance in your owner's manual.

<sup>1</sup>Volkswagen Commercial Vehicles Insurance and Volkswagen Commercial Vehicle Financial Services are trading names of Volkswagen Financial Services (UK) Limited, Brunswick Court, Yeomans Drive, Blakelands, Milton Keynes MK14 5LR, which is authorised and regulated by the Financial Conduct Authority (FCA). Registered in England and Wales No. 2835230. Volkswagen Financial Services (UK) Limited financial services register number is 311988.

<sup>2</sup>An offer of finance depends on certain conditions. Finance subject to status. Available to 18s and over. Terms and conditions apply. Volkswagen Commercial Vehicle Financial Services.

<sup>3</sup>Volkswagen Commercial Vehicles Motor Insurance from Volkswagen Insurance Service (Great Britain) Limited is sold and administered by Ageas Retail Limited. Registered in England and Wales No. 1324965. Registered Office: Ageas House, Hampshire Corporate Park, Templars Way, Eastleigh, Hampshire SO53 3YA. Ageas Retail Limited is authorised and regulated by the Financial Conduct Authority, registration number 312468. Volkswagen Insurance Service (Great Britain) Limited is an appointed representative of Volkswagen Financial Services (UK) Limited.

<sup>4</sup>Volkswagen Commercial Vehicle Insurance gap insurance is underwritten by MAPFRE Asistencia Compañía Internacional de Seguros y Reaseguros Sociedad Anonima authorised by Dirección General de Seguros y Fondos de Pensiones and subject to limited regulation by the Financial Conduct Authority and Prudential Regulation Authority, number 203041. Details about the extent of their regulation by the Financial Conduct Authority and Prudential Regulation Authority are available on request. MAPFRE Asistencia Compañía Internacional de Seguros y Reaseguros Sociedad Anonima is incorporated and registered in the Kingdom of Spain and registered as a foreign company in the United Kingdom with company number FC021974, acting through its UK branch with branch number BR008042 and whose principal office is at Alpha House, 5th Floor, 24A Lime Street, London EC3M 7HS. Volkswagen Commercial Vehicle Insurance gap insurance is administered by Abraxas Insurance Administration Services Limited, who is authorised and regulated by the Financial Conduct Authority with FCA number 308702 and who acts on behalf of the Insurer. Abraxas Insurance Administration Services Limited is registered in England and Wales with company number: 02928787 and whose registered office is at One Glass Wharf, Bristol BS2 0SX. Volkswagen Financial Services (UK) Limited is authorised and regulated by the Financial Conduct Authority (FCA). Authorisation details can be checked on the Financial Services register at [www.fca.org.uk/firms/systems-reporting/register](http://www.fca.org.uk/firms/systems-reporting/register) or call 0800 111 6768. Volkswagen Financial Services (UK) Limited is not part of the same corporate group as MAPFRE Asistencia Compañía Internacional de Seguros y Reaseguros Sociedad Anonima and Abraxas Insurance Administration Service Limited.

### The Van Centre network.



Our **dedicated Van Centre network** is at the core of everything we do and is always there to help. As a separate brand within the Volkswagen Group, it makes sense to make use of your nearest Van Centre – it's full of experts who understand your vehicle better than anyone else and can help you to get the most out of it.

Over **70 Van Centres** and **24 Authorised Repairers**, means you're only around 45 minutes on average from our door.



VWV16CARAV2

This brochure supersedes all previous publications.

Issue: December 2015

[www.volkswagen-vans.co.uk](http://www.volkswagen-vans.co.uk)

**Please note:** Print processes do not allow exact reproduction of the paint and upholstery colours. Some of the vehicles shown are European specification and may be fitted with optional equipment or accessories that are available at extra cost, or do not reflect current specification. All data and specifications are in accordance with information available at the time of going to print and are subject to change without notice. Vehicles not currently in UK stock and customer order vehicles may take a number of weeks for delivery. Certain combinations of vehicle specifications and factory-fitted extras are not compatible and therefore all orders received are subject to confirmation. Models, factory fitted-options and paint and upholstery options are subject to availability. Please check details and availability with an authorised Volkswagen Van Centre at the time of ordering.

