

December 2015



Commercial
Vehicles

The new

Transporter shuttle



A new dimension in passenger travel.

The new Transporter shuttle is the ideal choice for families or organisations and groups, such as airlines, hotels and taxi companies who need to transport up to nine passengers (including the driver), in comfort and style. You'll find the shuttle packed with the usual quality, innovation and safety features found across the entire Transporter range – including a new range of powerful and efficient Euro 6 TDI and BiTDI diesel engines, ranging from 84PS to 204PS. Available as S or SE, the shuttle offers a choice of either short or long wheelbase, generous towing capacities, impressive load volumes and is available with a variety of optional seating configurations, enabling you to tailor your shuttle to your own particular needs. With stylish and subtle exterior features, you can also be sure that whichever shuttle you choose, it will look as good as it performs.

- 04 Design.
- 06 Interior and infotainment.
- 08 Comfort and flexibility.
- 10 Seating configurations.
- 12 Safety systems.
- 14 Assistance systems.
- 16 Engines and gearboxes.
- 18 BlueMotion Technology.
- 20 Transporter shuttle S.
- 22 Transporter shuttle SE.
- 24 Standard equipment.
- 26 Paint, upholstery and trim.
- 28 Alloy wheels, audio and communications.
- 30 Mobile online services.
- 31 Engines and gearbox data.
- 32 Economy and performance.
- 33 Weights and dimensions.
- 34 Service and warranties.



Designed to impress.

The new Transporter shuttle not only works hard, but is designed to stand-out from the crowd. Featuring assured styling, defined contours, large heat-reflective windows and an imposing stance, the shuttle is available with a new range of stylish alloy wheels and a wide selection of attractive exterior paint colours. Add any number of stylish exterior options such as LED headlights, front fog lights with cornering lights, privacy glass or the chrome pack and you'll discover the shuttle is designed to impress.



01



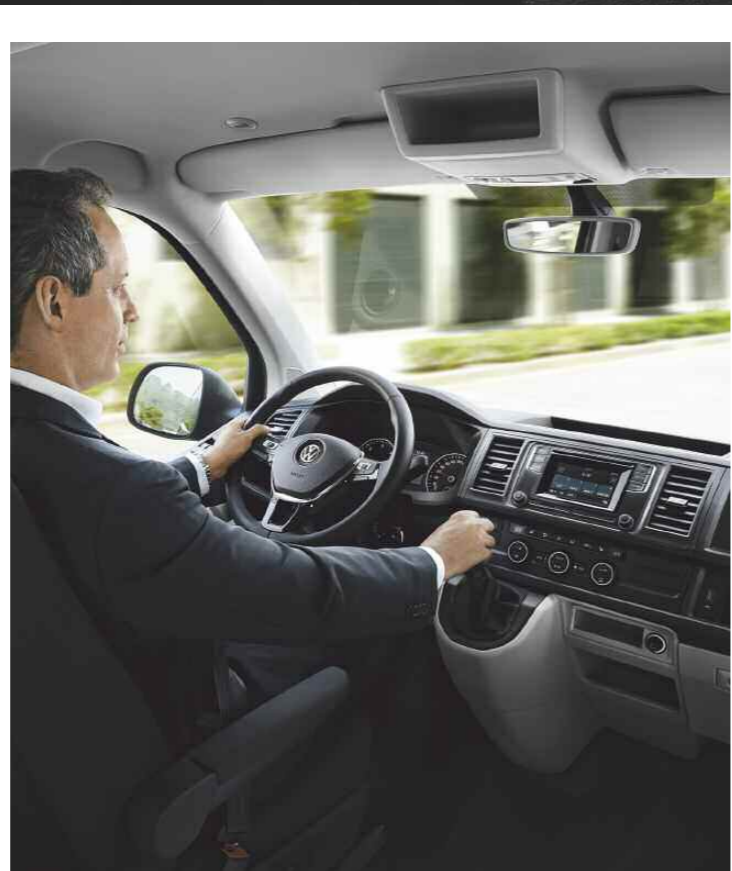
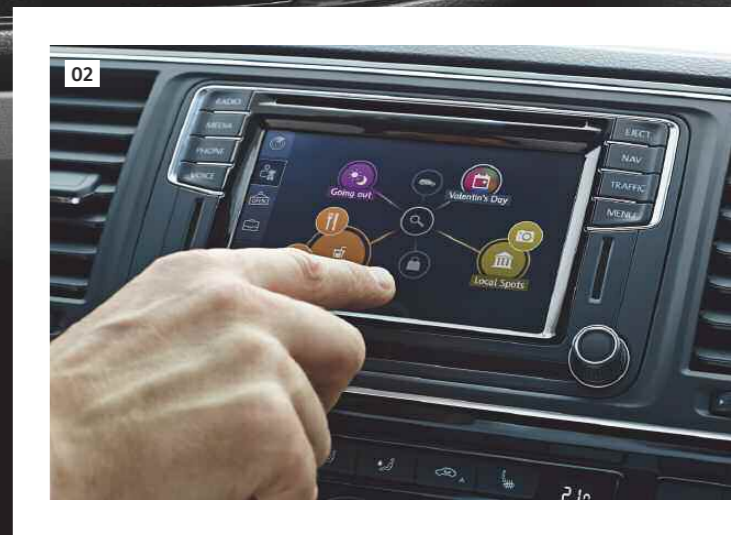
02



03



- 01 Optional heated headlight washer system.
- 02 Optional LED headlights with low energy LED daytime running lights.
- 03 Optional low energy LED tail lights.



The new infotainment systems.

When you get behind the wheel of the new Transporter shuttle, you'll be greeted by an ergonomic, highly-specified interior with high-class finishing and an exclusive atmosphere. With the latest generation shuttle, we've taken things a step further by introducing a range of stylish and innovative radio and infotainment systems.

Radio and navigation. Devices include the standard Composition Colour touch-screen DAB+ radio system and optional Composition Media DAB+ radio system.

Voice recognition. Available as an option, the voice control system allows you to operate the telephone, navigation and audio functions without taking your hands off the steering wheel.

App-Connect. Available as an option, App-Connect allows you to operate special apps. The screen of your smartphone can be shown on the radio system's display.

Connectivity package. Available as an option, external media devices, such as MP3 players, can be connected via the USB port. Additionally, the standard mobile phone interface offers a Bluetooth® hands-free speaking system.

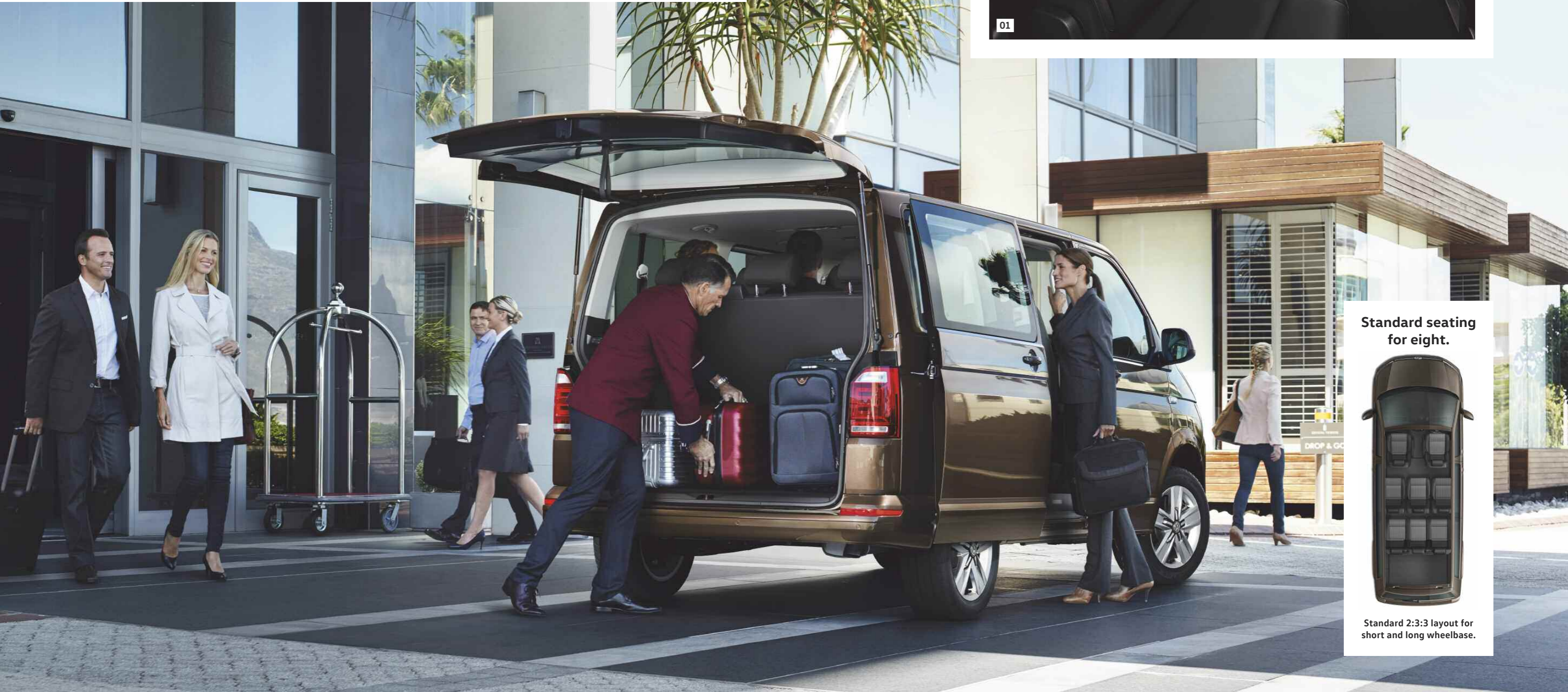
Volkswagen Media Control. Available as an option, your smartphone or tablet is turned into a remote control and able to operate the audio system functions from the rear seats via a Wi-Fi connection.

01 Optional Composition Media DAB+ radio system.

02 Optional App-Connect system.

Combining comfort and flexibility.

With its new easy-entry seating, the new Transporter shuttle allows you to enter with ease and discover a great place to kick back and relax. While it offers a comfortable, safe and controlled environment, it's the shuttle's flexibility that sets it apart. If required, the standard seating for eight (including the driver) can be configured in multiple layouts, or completely removed to create a generous load area. All seats feature three-point inertia-reel seatbelts and adjustable head restraints, while ISOFIX child seat mountings can be found on the second row and the three-seat bench on the third row. Even with a full compliment of passengers, the new Transporter shuttle's rear luggage space, together with numerous handy storage compartments, means there is plenty of space for luggage or kit.



Standard seating for eight.



Standard 2:3:3 layout for short and long wheelbase.

01 Further enhance the sumptuous feel of your shuttle's interior by adding optional Nappa leather, available in Titanium Black.



Image shows seven-seat 2:2:3 layout.

Seating configurations.

When you need to transport passengers and their luggage, we know that flexibility is key. With this in-mind, we've designed the new Transporter shuttle's passenger compartment to offer flexibility in abundance with seats that can be tipped, folded or completely removed. What's more, when you consider the low rear sill height and flat load surface, you'll discover a passenger compartment that's ready for whatever you can throw at it.

The Transporter shuttle's flexible passenger compartment.

Four-seat package.



2:2:0 layout.

Five-seat package.¹



2:3:0 layout.

Five-seat package.²



2:3:0 layout.

Five-seat package.¹



3:2:0 layout.

Six-seat package.¹



3:3:0 layout.

Six-seat package.²



3:3:0 layout.

Seven-seat package.



2:2:3 layout.

Eight-seat package.²



2:3:3 layout.

Eight-seat package.



3:2:3 layout.

Nine-seat package.²



3:3:3 layout.



Short wheelbase.

- Floor area of 4.3m².
- Load volume of 5.8m³.
- Seating for up to nine.



Long wheelbase.

- Floor area of 5.0m².
- Load volume of 6.7m³.
- Seating for up to nine.

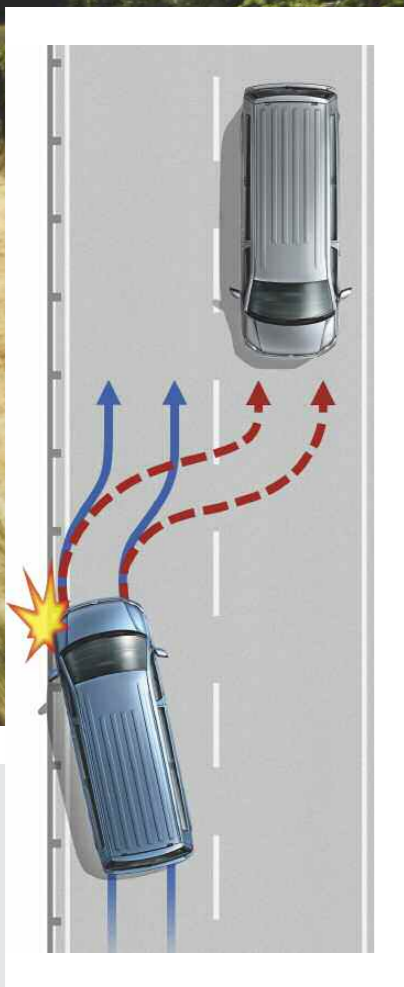
¹ Easy-entry on both second row outer seats. ² Two-seat bench on second row with easy-entry seat on passenger side.

Safety systems.

Your safety is vital, so we ensure that a long list of safety and security features are built into every vehicle we produce. Since we first introduced structural safety features on commercial vehicles over 35 years ago, Volkswagen has maintained a policy of continuous safety development. Every Volkswagen model incorporates a range of both active and passive safety features, to help ensure the safety and security of both you and your load.

With the vehicle's design contributing to safety, occupants are securely enclosed within a rigid safety cell with crumple zones to absorb crash energy, while the chassis and suspension are designed for excellent directional stability and handling. Features such as Anti-lock Braking System (ABS), Electronic Brakeforce Distribution (EBD), Electronic Stabilisation Programme (ESP), driver and passenger front airbags, electric seatbelt tensioners, Automatic Post-Collision Braking System and four ISOFIX child seat mountings in the rear passenger area are fitted as standard.

For additional security and protection, an electronic immobiliser and remote central locking with dead locking and internal locking button are standard, while optional features such as anti-theft devices, front and rear parking sensors, LED headlights, automatic rain-sensing wipers and front fog lights with integrated cornering lights all offer additional peace-of-mind.



Automatic Post-Collision Braking System. Standard on all Transporter shuttle models, it triggers braking after a collision, with the aim of preventing secondary collisions.



Electronic Stabilisation Programme (ESP). Designed to prevent the vehicle from swerving in critical driving conditions by controlled and targeted intervention in the brake and engine management. This helps to maximise directional stability.



Anti-lock Braking System (ABS). Designed to prevent wheels from locking up and assist manoeuvrability of the vehicle under heavy braking.



Traction Control System (TCS). Aids smooth starts and acceleration by reducing wheel-spin. The system also incorporates the Electronic Differential Lock (EDL) and makes up part of the Electronic Stabilisation Programme (ESP).



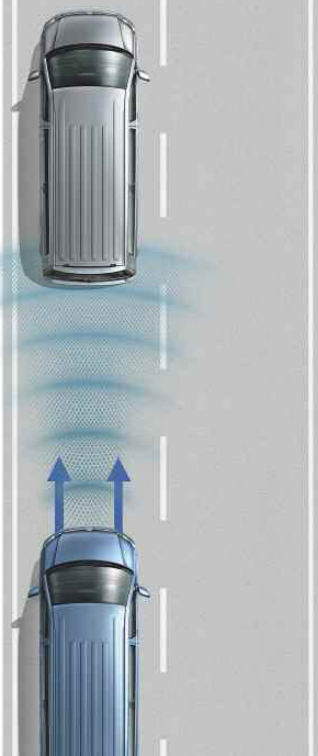
Electronic Differential Lock (EDL). Allows smooth starts on slippery or loose road surfaces. If one wheel starts to spin, EDL will brake the wheel as necessary, directing power to the wheel with greater traction.



Airbags. Driver and passenger front airbags are fitted as standard. They offer occupants improved protection in the event of head-on impacts.



Seatbelt warning. The seatbelt warning reminds the driver that their seatbelt is not fastened. Audio and visual signals are used to request that the seatbelt is fastened before driving.



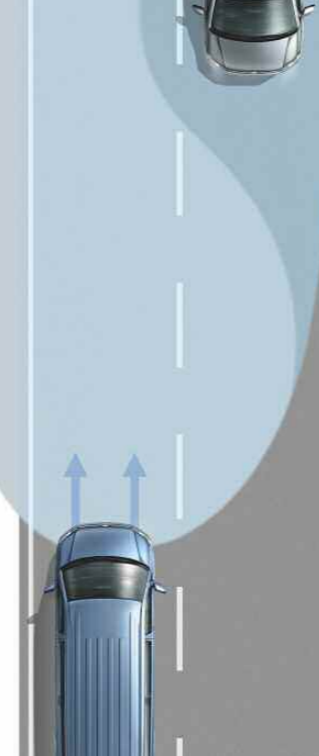
Adaptive Cruise Control (ACC).

Available as an option on SE, ACC uses a front radar to measure the distance (up to 120m) and speed relative to vehicles driving ahead. It automatically regulates the pre-set distance. ACC also includes the **Front Assist area monitoring system with City Emergency Braking System**. This detects critical distances, warns of hazardous situations and when necessary, triggers emergency braking.



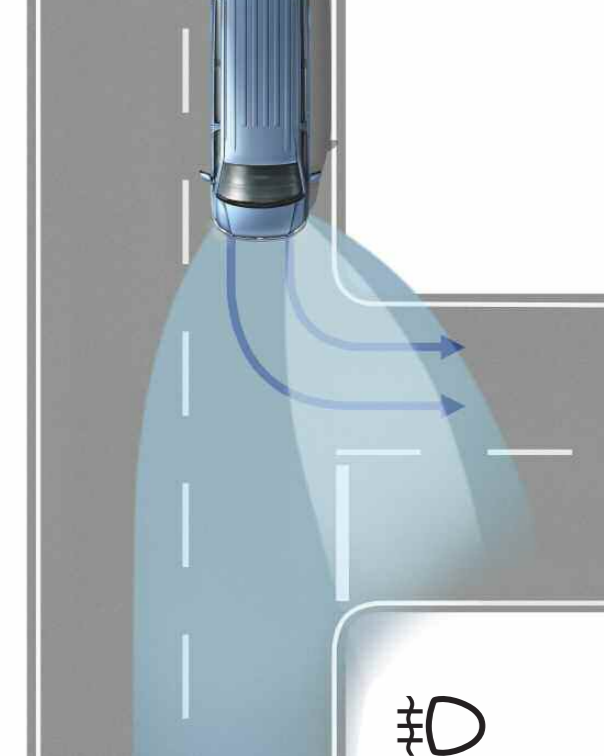
Lane Change Assist - Side Scan.

Available as an option, Side Scan displays a warning signal on the exterior mirror as soon as one of its sensors detects a vehicle in a blind spot during a lane change.



High Beam Assist.

Available as an option, High Beam Assist automatically dips the headlights and prevents dazzle for oncoming vehicles, or vehicles travelling ahead. At night time at speeds of above 37mph, the system automatically switches the headlights to high-beam.



Fog lights with integrated cornering lights.

Available as an option, these help to illuminate curves and bends in the road ahead. This aids the driver in spotting any obstacles where the vehicle is turning.

Advanced driver assistance systems.

To help ensure every journey ends as stress-free as it begins, the new Transporter shuttle is equipped with a number of systems – all of which are activated in critical situations as a preventative measure. Add to this a variety of new and innovative driver assistance systems and you'll discover the new Transporter shuttle offers high levels of safety and peace-of-mind.



01 Optional parking sensor display.



02 Optional rear-view camera display.



Cruise control.

Available as an option, cruise control maintains the selected speed, or limits the top speed to a value set by the driver.



Driver Alert System.

Fitted as standard, the Driver Alert System registers deviation from normal steering patterns and uses visual and acoustic warnings to recommend that the driver takes a break.



Brake Assist.

Fitted as standard, the system registers the speed at which the brake pedal is pressed. During emergency braking, it helps ensure full brake pressure is applied more quickly.



Daytime running lights.

Fitted as standard, daytime running lights offer increased visibility. For extra driver convenience, the dipped beam headlights are automatically switched on when you start your vehicle.



Hill Hold Assist.

Fitted as standard, the convenient Hill Hold Assist helps to prevent your vehicle from rolling back when pulling away on an incline. The hold operates for approximately two seconds.



Tyre pressure monitoring.

The standard tyre pressure monitoring display activates a warning signal to highlight significant changes in tyre pressure. This lets the driver know that the tyre pressure should be checked as soon as possible.

The new Transporter shuttle engine range.

EURO
6

2.0 litre TDI 84PS (62kW).¹

Combined cycle fuel consumption: 47.1mpg
CO₂ emissions: 155g/km
Maximum torque: 220Nm

2.0 litre TDI 102PS (75kW).¹

Combined cycle fuel consumption: 47.1-48.7mpg
CO₂ emissions: 155-151g/km
Maximum torque: 250Nm

2.0 litre TDI 150PS (110kW).¹

Combined cycle fuel consumption: 46.3-47.9mpg
CO₂ emissions: 159-153g/km
Maximum torque: 340Nm

2.0 litre BiTDI 204PS (150kW).¹

Combined cycle fuel consumption: 42.8-46.3mpg
CO₂ emissions: 171-159g/km
Maximum torque: 450Nm

¹ Standard EU test figures for comparative purposes and may not reflect real driving results. For full mpg and CO₂ data refer to page 32.

Euro 6 is achieved by applying the following technologies.

Selective Catalytic Reduction (SCR).

The SCR system uses AdBlue® urea solution to convert nitrogen oxide into nitrogen and water. If the vehicle is equipped with this kind of emission control system for diesel engines, the filler neck for the AdBlue® tank is located below the filler cap for the fuel tank. The AdBlue® consumption figures depend on individual driving style, the system's operating temperature and the ambient temperature that the vehicle is operated in. The vehicle is fitted with a separate tank for AdBlue® which holds approximately 13 litres.

Exhaust Gas Recirculation (EGR).

In our diesel engines, exhaust gas recirculation is a technique that is used to reduce nitrogen oxide (NO_x) emissions. EGR works by recirculating a percentage of the engine's exhaust gas back to the engine cylinders.

Diesel Particulate Filter (DPF).

The DPF captures soot particles in the exhaust gas. Periodically, the soot particles are automatically burnt under high temperatures to regenerate the filter and maintain exhaust gas emissions.

New TDI and BiTDI engines with the Euro 6 emissions standard.

TDI and BiTDI common-rail diesel engines.

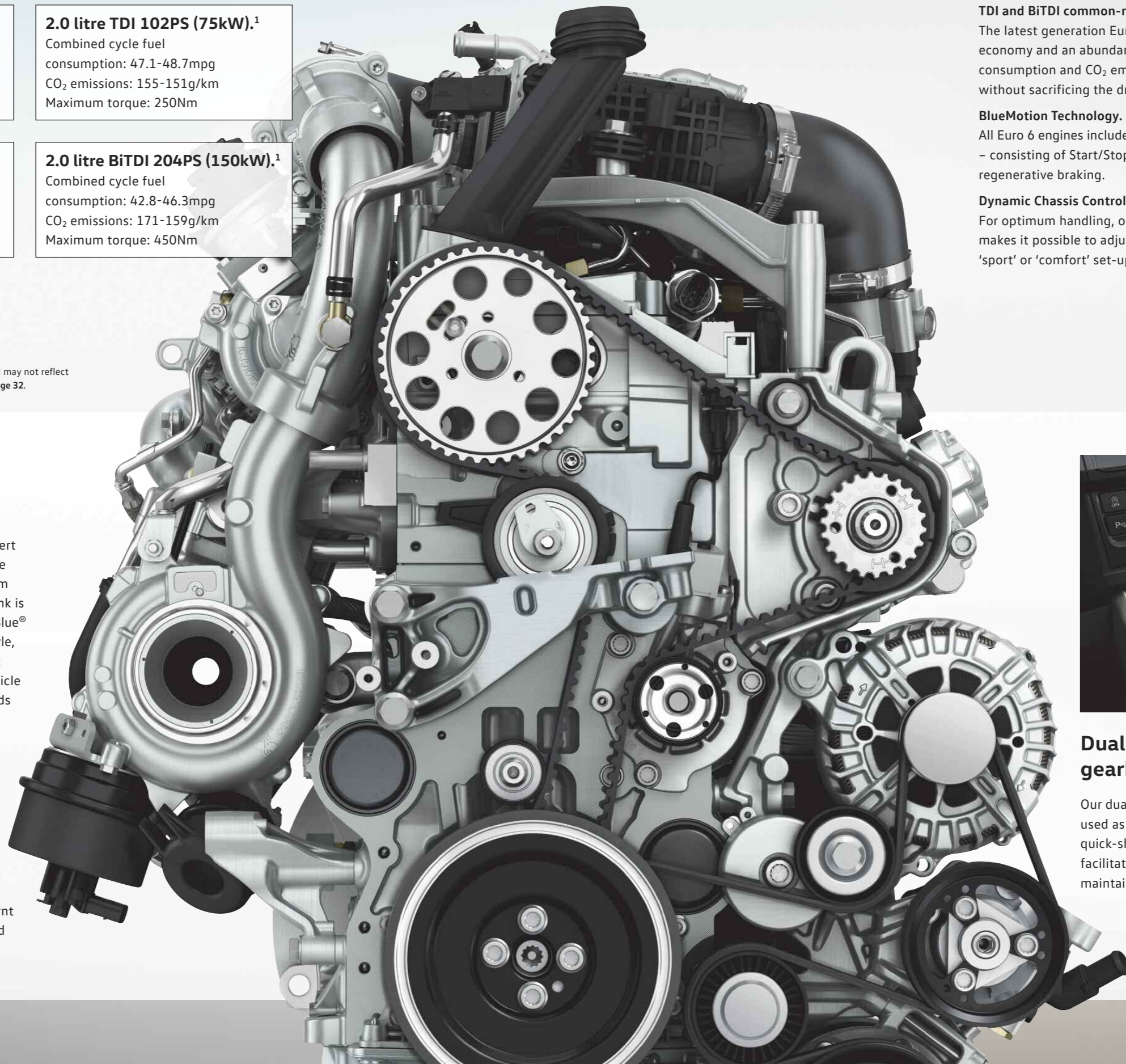
The latest generation Euro 6 engines provide excellent economy and an abundance of usable torque. Both fuel consumption and CO₂ emissions have been reduced without sacrificing the driving dynamics.

BlueMotion Technology.

All Euro 6 engines include BlueMotion Technology as standard – consisting of Start/Stop, low rolling resistance tyres and regenerative braking.

Dynamic Chassis Control (DCC).

For optimum handling, optional Dynamic Chassis Control makes it possible to adjust the running gear to a 'normal', 'sport' or 'comfort' set-up at the touch of a button.



Dual clutch direct shift gearbox (DSG).

Our dual clutch direct shift gearbox (DSG) can be used as a fully automatic gearbox, or as a responsive quick-shift manual. The innovative dual clutch system facilitates an instant gear change, whilst helping to maintain swift and smooth progress.

BlueMotion Technology.

BlueMotion Technology (BMT) is included as standard on all new Transporter shuttle S and SE models. BMT consists of three key elements, namely Start/Stop, low rolling resistance tyres and regenerative braking. Together, they contribute to improvements in fuel consumption and CO₂ emissions.



Standard on all Transporter shuttle engines, BlueMotion Technology consists of three key elements.

Start/Stop.

Automatically turns the engine off when you stop and engage neutral. As soon as it's time to move, the engine starts up again. A simple, but highly-effective system.

Low rolling resistance tyres.

These don't need to work as hard to get your vehicle moving (and keep it rolling) which is especially useful when shifting heavy loads. As friction between the tyre and the road is reduced the engine has to work less.

Regenerative braking.

When you brake, the energy recuperation system uses momentum to turn the alternator and charge the battery. This way the system makes the most of the energy when you brake.

BLUEMOTION
TECHNOLOGY



Shuttle S.

The Transporter shuttle S delivers the perfect combination of comfort, durability and space. From the moment you enter, you'll find a light and airy interior constructed from high-quality materials. A roof headlining with reading lights, moulded interior trim and Kutamo cloth seats set the scene, while features such as heat-reflective glass, multiple air vents and sunblinds on rear passenger area side windows help to create a controlled atmosphere that feels like home. When it comes to practicality, you'll find the abilities of the shuttle S more than just skin deep. The passenger area has space in abundance, with access through two side sliding doors (with childlocks), while luggage is easily accommodated through a rear tailgate with heated window and wash-wipe. When carrying small children, for added safety, ISOFIX mounting points allow the easy fitting of two child seats in the second row. In fact, when you need to comfortably carry a large number of passengers and their luggage, you'll find the shuttle S hard to beat.

Image shows optional rear wing doors with heated windows.

01 Optional body-coloured electrically adjustable and power folding wing mirrors.

02 Optional privacy glass in passenger compartment with green heat insulating glass in cab. Shown with optional side sliding window.

Shuttle SE.

When you need superior levels of practicality, versatility and desirability, the new Transporter shuttle SE is the answer. It achieves this by combining the extensive standard features found in the shuttle S, with a number of stylish and practical enhancements, designed to take the SE onto another level. Standard SE features include plush floor carpet, upgraded Pandu upholstery, deluxe headlining with ventilation strips and adjustable reading lights, trip computer with multi-function display 'Plus' and Climatic air conditioning. External features include body-coloured bumpers, door mirrors and handles, chrome detailing on the upper grille and full wheel trims. Ideal for families or image conscious commercial or corporate passengers, the shuttle SE is all about added presence.



01 Optional sliding windows in side sliding doors. Available for both driver and passenger side.

02 Optional above-cab electric sliding sunroof with sunblind.

03 Optional Digital Voice Enhancement (DVE) provides voice amplification in the passenger compartment.

Shuttle S standard equipment.

Audio and communications.

Bluetooth® phone connectivity.
Composition Colour DAB+ radio system with 5" touch-screen, single MP3 compatible CD drive, SD card slot, AUX-IN socket and two speakers.

Interior – cab area.

Digital clock.
Dimmable dashboard illumination.
Driver Alert System (fatigue detection).
Driver and front passenger seats with height, lumbar, reach and rake adjustments and armrests.
Electric front windows.
Gearshift indicator.
Interior light.
Kutamo cloth upholstery.
Lockable glove compartment.
Manually controlled heating system with dust and pollen filter and air recirculation.
Multi-function display.
Rev counter.
Rubber floor covering.
Sun visors with vanity mirrors.
12v socket.

Interior – passenger area.

Grab handle on 'A' pillars for driver and front passenger.
Kutamo cloth upholstery.
Load-lashing rings (six with short wheelbase and eight with long wheelbase).
Reading lights in headlining for rear passenger compartment.
Rubber floor covering.
Seating – second row: three individual seats featuring 'easy entry' on the outer seats. All three back rests fold individually.
Seating – third row: three-seat bench with folding and tipping action.
Sunblinds for door side windows in passenger compartment.
Two-tone horn.

Exterior.

Black wheel centre caps.
Driver and passenger side sliding doors.
Electrically heated and adjustable door mirrors.
Galvanised full steel body.
Grey front and rear bumpers.
Heat-reflective glass.
Tailgate with heated rear window and wash-wipe.

Safety and security.

Anti-lock Braking System (ABS).
Driver and front passenger airbags (with passenger deactivation switch).
Electronic Brakeforce Distribution (EBD).
Electronic Differential Lock (EDL).
Electronic Stabilisation Programme (ESP).
Height-adjustable head restraints.
Height and rake adjustable steering column.
Hill Hold Assist.
Remote central locking with internal locking switch with one fixed and two folding remote keys.

Wheels and tyres.

16" steel wheels.
17" steel wheels (204PS models).
205/65 R16 tyres (84PS, 102PS and 150PS models).
235/55 R17 tyres (204PS models).
Full size steel spare wheel.
Tool kit and jack.

BlueMotion Technology.

BlueMotion technology badge.
Low rolling resistance tyres.
Regenerative braking.
Start/Stop.

Shuttle SE equipment in addition to S.

Interior – cab area.

Carpet floor covering.
Climatic semi-automatic air conditioning system.
Pandu cloth upholstery in Titanium Black or Moonrock Grey.
Storage pockets on front seat backrests.
Trip computer with multi-function display 'Plus'.
Washer fluid level indicator.

Interior – passenger area.

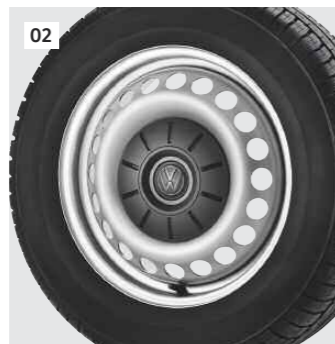
Carpet floor covering.
Deluxe headlining incorporating ventilation strips and adjustable reading lights.
Pandu cloth upholstery in Titanium Black or Moonrock Grey.

Exterior.

Body-coloured bumpers, door mirrors and handles.
Chrome detailing in upper grille.

Wheels and tyres.

Full wheel trims.



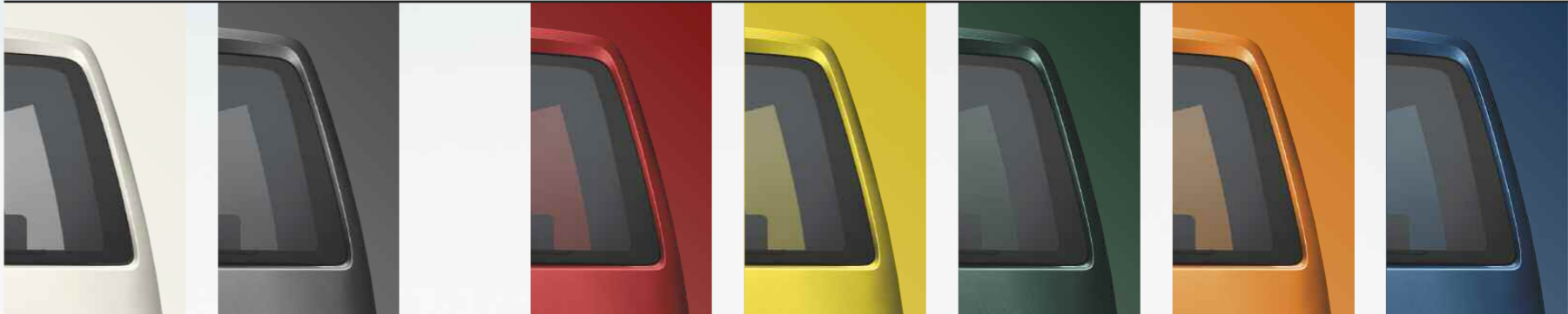
01 Armrests to driver and single front passenger seats.
02 16" steel wheels.
03 Composition Colour DAB+ radio system with 5" touch-screen.
04 Sunblinds for side windows in rear passenger area.
05 Securing points throughout rear passenger area and load compartment.

06 16" full wheel trims. Standard on SE.
07 Deluxe headlining with ventilation strips and adjustable reading lights.
08 Climatic air conditioning for cab and rear passenger area.
09 Body-coloured bumpers, door mirrors and handles.

Paint, upholstery and trim.

Formulated to withstand the rigours of everyday life, the new Transporter shuttle's paint and upholstery are designed to stand the test of time. As you'd expect from any Volkswagen, exterior paints offer a smooth and tough finish, while the interior upholstery is made from high-quality materials that are both attractive and robust.

Solid paint.



Candy White. Pure Grey.¹ Cherry Red. Grape Yellow.² Ontario Green. Bright Orange. Deep Ocean.

Metallic paint.²



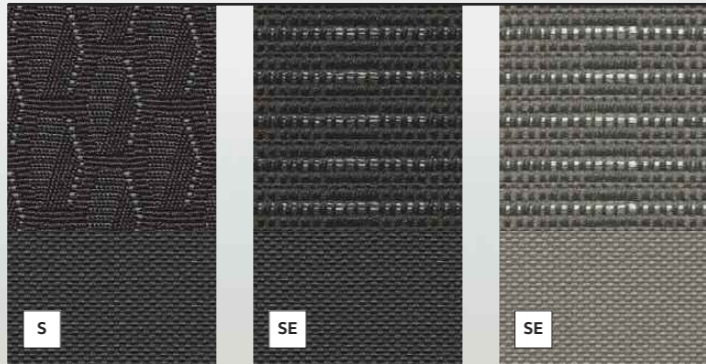
Reflex Silver. Indium Grey. Mojave Beige. Chestnut Brown. Bamboo Garden Green.

Pearl effect paint.²



Acapulco Blue. Starlight Blue. Blackberry. Oryx White. Deep Black.

Seat upholstery.



Kutamo. Titanium Black cloth. **Pandu.** Titanium Black cloth. **Pandu.** Moonrock Grey cloth.

Interior colours.



Leatherette. Moonrock synthetic leather. **Nappa leather.** Titanium Black. **Titanium Black.** **Moonrock Grey.**

¹ Pure Grey is only available on Transporter shuttle S.

² Available at extra cost.

Please note: Not all paint and upholstery combinations can be ordered together and in some instances certain combinations may incur extra cost. Not all paint finishes may be available for every trimline. Please check details and availability with your Volkswagen Van Centre at the time of ordering. Print processes do not allow exact reproduction of paint and upholstery colours.

Key:

Standard Optional

Wheels and tyres.



Steel wheel.
16 x 6.5J with 215/65 R16
or 205/65 R16 tyres.
Standard on shuttle S.

Full wheel trim.
16 x 6.5J with 215/65 R16
or 205/65 R16 tyres.
Standard on shuttle SE.

16"



Steel wheel.
17 x 7J with 235/55 R17tyres.
Standard on 204PS engines.

Devonport.
17 x 7J alloy wheels
with 235/55 R17 tyres.

17"

Audio and communications.



Composition Colour DAB+ radio system.
Fitted as standard, the Composition Colour DAB+ radio system features a 5" TFT touch-screen colour display, USB port, Bluetooth®, SD card slot, AUX-IN interface, MP3 and WMA compatible CD drive, 4 x 20 watt output with two speakers and a dual tuner with PhaseDiversity for optimum radio reception.



Composition Media DAB+ radio system.
The optional Composition Media DAB+ radio system features an increased touch-screen size of 6.33" with proximity sensor, USB port, Bluetooth®, SD card slot, AUX-IN interface, MP3 and WMA compatible CD drive, 4 x 20 watt output with four speakers and a dual tuner with PhaseDiversity for optimum radio reception. App-Connect is available as an option for this system.



Discover Media satellite navigation system.
The optional Discover Media satellite navigation system builds on the strengths of the Composition Media DAB+ radio system by adding satellite navigation and a second integrated SD card slot compatible for map data. The system includes free updates for the pre-installed European maps through Volkswagen MapCare. App-Connect is available as an option for this system.

Mobile online services.

Optional App-Connect – Volkswagen apps.¹

Download special Volkswagen apps to your mobile or tablet, such as 'Shared Audio', 'Drive & Track', 'Call & Remind', 'My Guide' and 'Sound Journey' to make every journey more pleasant and interesting. The apps provide you with information about your driving behaviour, guide you to parking spaces in the vicinity, make detailed suggestions about exciting destinations – all taking into account the weather and traffic data.

Optional Car-Net Guide & Inform.²

Use Car-Net Guide & Inform to enhance your vehicle's optional Discover Media navigation system with online-based, up-to-date information services for greater convenience when travelling. For example, utilise real-time traffic information to avoid a sudden traffic jam, or refuel at the cheapest petrol station, or find a free parking space without the need for an infuriating search. Car-Net Guide & Inform helps you to reach your destination quickly and with the least amount of stress.



Online traffic information.

Save time and avoid stress with real-time traffic information, enabling you to avoid traffic jams by dynamically adapting your route.



Petrol stations.³

View the petrol stations with the cheapest fuel prices in your immediate vicinity. Your vehicle's fuel type is automatically identified.



Parking spaces.³

Save time and view available parking options, along with prices and opening hours.



Weather.

Stay up-to-date with the latest weather information while on the move.



Online special destination search.

Customised information about local services is sent directly to your touch-screen display.



News

Subscribe to personalised news categories and use the news feeds to stay up-to-date.



Online destination import.

Conveniently plan your driving destinations from home using the customer portal and retrieve them using the navigation system.



My special destinations.

Use the customer portal to save your preferred destinations while at home and import these into your vehicle's navigation system.



Vehicle status report.

Retrieve the latest service information and error messages from your vehicle.



Car-Net registration in a few easy steps:

1. Create your personal account on the Car-Net website.
2. You will receive a registration code (PIN).
3. Enter your vehicle identification number (VIN).
4. Enter the PIN into your vehicle's navigation system.

¹ Available as an option, App-Connect is only available in conjunction with the Composition Media DAB+ radio system or the Discover Media satellite navigation system. App-Connect comprises MirrorLink™, CarPlay™ and Android Auto™. The availability of these technologies can vary depending on the country in question. Please note that App-Connect is not currently supported by all mobile telephones on the market. Volkswagen is working closely with major smartphone producers to promote broader compatibility for App-Connect.

² Available as an option, mobile online services (Car-Net) is only in conjunction with the Discover Media satellite navigation system. You will also require a mobile device that is capable of acting as a mobile wireless hotspot. Car-Net services are only available with an existing mobile network contract or one to be agreed separately for this purpose between you and your mobile phone network provider and only within the respective mobile phone network coverage. Depending on your mobile phone tariff, receiving data from the internet may incur additional charges, particularly if you are using the phone abroad. Due to the amount of data needed when using Car-Net services, we strongly recommend signing-up to a data flat rate with your mobile phone provider. Use of Car-Net is governed in a separate agreement with Volkswagen AG online. After taking possession of the vehicle, you have 90 days in which to register the vehicle at www.volkswagen-commercial-vehicles-carnet.com. The availability of Car-Net services may vary depending on the country in question. These services are available for the duration of the contract term agreed and may be subject to changes in terms of content during the contract period. More detailed information on Car-Net is available at www.volkswagen-commercial-vehicles-carnet.com and from your Volkswagen Commercial Vehicles Van Centre. Contact your mobile network provider for information regarding your mobile network tariff.

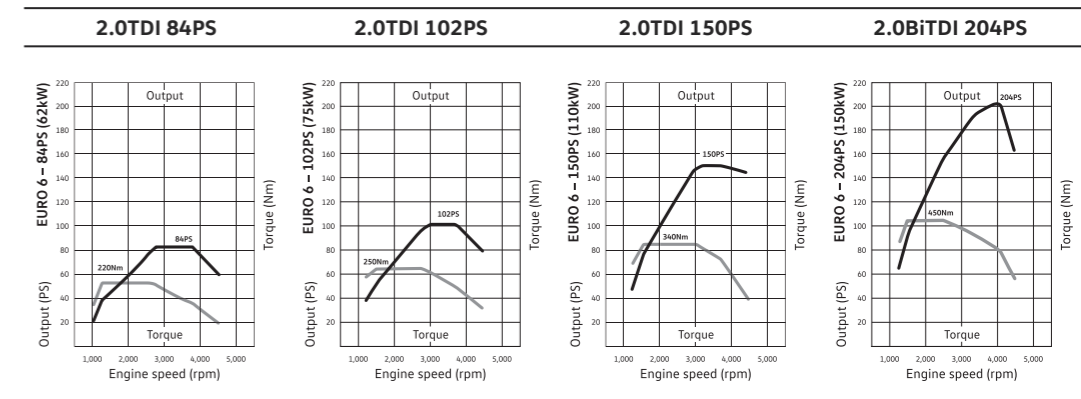
³ Available at participating petrol stations and car parks.



Engine and gearbox data.

Engine specifications.	2.0TDI 84PS	2.0TDI 102PS	2.0TDI 150PS	2.0BiTDI 204PS
Engine type	Diesel, transverse, water-cooled, in-line, variable turbine geometry turbocharger with intercooler			Diesel, transverse, water-cooled, in-line, bi-turbo with intercooler
Mixture preparation/injection method	Common-rail, direct injection			
EU exhaust emission standard	EURO 6	EURO 6	EURO 6	EURO 6
Number of cylinders	4	4	4	4
Cubic capacity	1,968cc	1,968cc	1,968cc	1,968cc
Output, PS at rpm	84 at 2,750-3,730	102 at 3,000-3,750	150 at 3,250-3,750	204 at 4,000
Torque, max. Nm at rpm	220 at 1,250-2,500	250 at 1,500-2,750	340 at 1,500-3,000	450 at 1,400-2,400
Fuel tank capacity	70 litre	70 litre	70 litre	70 litre
AdBlue® capacity	13 litre	13 litre	13 litre	13 litre
Diesel Particulate Filter (DPF)	●	●	●	●
5-speed manual gearbox	●	●	-	-
6-speed manual gearbox	-	-	●	●
7-speed dual clutch gearbox (DSG)	-	-	○	○
Front-wheel drive	●	●	●	●
BlueMotion Technology	●	●	●	●
Alternator	180A	180A	180A	180A
Battery – manual	68Ah (380A)	68Ah (380A)	68Ah (380A)	68Ah (380A)
Battery – DSG	-	-	75Ah (420A)	75Ah (420A)

● Standard ○ Available – Not available



Fuel consumption, performance and emissions.

Engine/transmission	Urban mpg (ltr/100km) ¹	Extra-urban mpg (ltr/100km) ¹	Combined mpg (ltr/100km) ¹	Acceleration 0-62 mph seconds	Top speed (where law permits) mph	CO ₂ emissions g/km ¹
Shuttle S short wheelbase.						
2.0TDI 84PS EU6 BMT 5-speed manual	39.8 (7.1)	53.3 (5.3)	47.1 (6.0)	21.1	90	155
2.0TDI 102PS EU6 BMT 5-speed manual	40.9 (6.9)	54.3 (5.2)	48.7 (5.8)	16.4	97	151
2.0TDI 150PS EU6 BMT 6-speed manual	38.7 (7.3)	52.3 (5.4)	46.3 (6.1)	11.9	113	159
2.0TDI 150PS EU6 BMT 7-speed DSG	42.8 (6.6)	51.4 (5.5)	47.9 (5.9)	12.2	111	153

Shuttle S long wheelbase.

2.0TDI 102PS EU6 BMT 5-speed manual	39.8 (7.1)	53.3 (5.3)	47.1 (6.0)	16.4	97	155
2.0TDI 150PS EU6 BMT 6-speed manual	38.7 (7.3)	52.3 (5.4)	46.3 (6.1)	11.9	113	159
2.0TDI 150PS EU6 BMT 7-speed DSG	42.8 (6.6)	51.4 (5.5)	47.9 (5.9)	12.2	111	153

Shuttle SE short wheelbase.

2.0TDI 102PS EU6 BMT 5-speed manual	40.9 (6.9)	54.3 (5.2)	48.7 (5.8)	16.4	97	151
2.0TDI 150PS EU6 BMT 6-speed manual	38.7 (7.3)	52.3 (5.4)	46.3 (6.1)	11.9	113	159
2.0TDI 150PS EU6 BMT 7-speed DSG	42.8 (6.6)	51.4 (5.5)	47.9 (5.9)	12.2	111	153
2.0TDI 204PS EU6 BMT 6-speed manual	36.7 (7.7)	48.7 (5.8)	43.5 (6.5)	9.0	126	169
2.0TDI 204PS EU6 BMT 7-speed DSG	39.8 (7.1)	51.4 (5.5)	46.3 (6.1)	9.3	123	159

Shuttle SE long wheelbase.

2.0TDI 102PS EU6 BMT 5-speed manual	39.8 (7.1)	53.3 (5.3)	47.1 (6.0)	16.4	97	155
2.0TDI 150PS EU6 BMT 6-speed manual	38.7 (7.3)	52.3 (5.4)	46.3 (6.1)	11.9	113	159
2.0TDI 150PS EU6 BMT 7-speed DSG	42.8 (6.6)	51.4 (5.5)	47.9 (5.9)	12.2	111	153
2.0TDI 204PS EU6 BMT 6-speed manual	36.2 (7.8)	47.9 (5.9)	42.8 (6.6)	9.0	126	171
2.0TDI 204PS EU6 BMT 7-speed DSG	39.2 (7.2)	50.4 (5.6)	45.6 (6.2)	9.3	123	161

Weights.

Engine/transmission	Gross vehicle weight kg	Axle load limit front/rear kg	Trailer weight braked 12%/ unbraked kg	Gross train weight kg	Unladen weight ² kg	Payload ³ kg
Shuttle S short wheelbase.						
2.0TDI 84PS EU6 BMT 5-speed manual	3,080	1,610 / 1,515	2,200 / 750	4,800	2,137	943
2.0TDI 102PS EU6 BMT 5-speed manual	3,200	1,710 / 1,720	2,200 / 750	4,900	2,168	1,032
2.0TDI 150PS EU6 BMT 6-speed manual	3,200	1,710 / 1,720	2,500 / 750	5,200	2,198	1,002
2.0TDI 150PS EU6 BMT 7-speed DSG	3,200	1,710 / 1,720	2,500 / 750	5,300	2,222	978

Shuttle S long wheelbase.

2.0TDI 102PS EU6 BMT 5-speed manual	3,200	1,710 / 1,720	2,200 / 750	4,900	2,233	967
2.0TDI 150PS EU6 BMT 6-speed manual	3,200	1,710 / 1,720	2,500 / 750	5,200	2,263	937
2.0TDI 150PS EU6 BMT 7-speed DSG	3,000	1,710 / 1,720	2,500 / 750	5,300	2,256	744

Shuttle SE short wheelbase.

2.0TDI 102PS EU6 BMT 5-speed manual	3,200	1,710 / 1,720	2,200 / 750	4,900	2,189	1,011
2.0TDI 150PS EU6 BMT 6-speed manual	3,200	1,710 / 1,720	2,500 / 750	5,200	2,219	981
2.0TDI 150PS EU6 BMT 7-speed DSG	3,200	1,710 / 1,720	2,500 / 750	5,300	2,243	957
2.0TDI 204PS EU6 BMT 6-speed manual	3,200	1,710 / 1,720	2,500 / 750	5,200	2,256	944
2.0TDI 204PS EU6 BMT 7-speed DSG	3,200	1,710 / 1,720	2,500 / 750	5,300	2,279	921

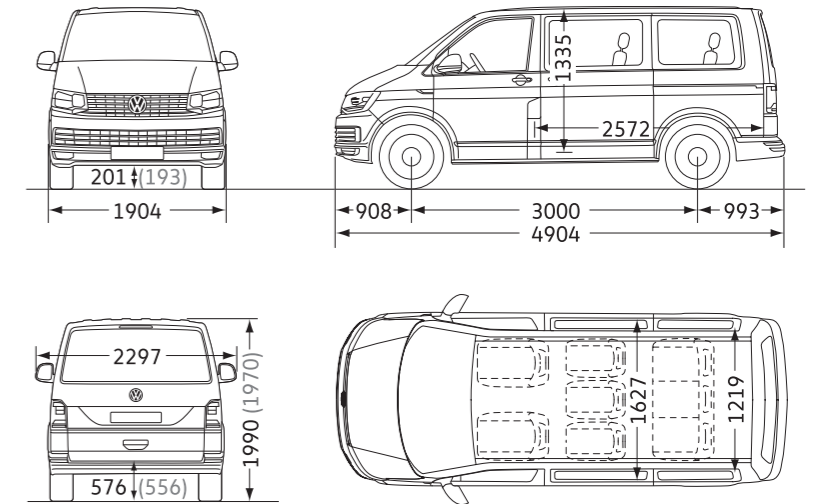
Shuttle SE long wheelbase.

2.0TDI 102PS EU6 BMT 5-speed manual	3,200	1,710 / 1,720	2,200 / 750	4,900	2,255	945
2.0TDI 150PS EU6 BMT 6-speed manual	3,200	1,710 / 1,720	2,500 / 750	5,200	2,285	915
2.0TDI 150PS EU6 BMT 7-speed DSG	3,200	1,710 / 1,720	2,500 / 750	5,300	2,309	891
2.0TDI 204PS EU6 BMT 6-speed manual	3,200	1,710 / 1,720	2,500 / 750	5,200	2,322	878
2.0TDI 204PS EU6 BMT 7-speed DSG	3,200	1,710 / 1,720	2,500 / 750	5,300	2,345	855

Dimensions.

Shuttle S and SE short wheelbase.

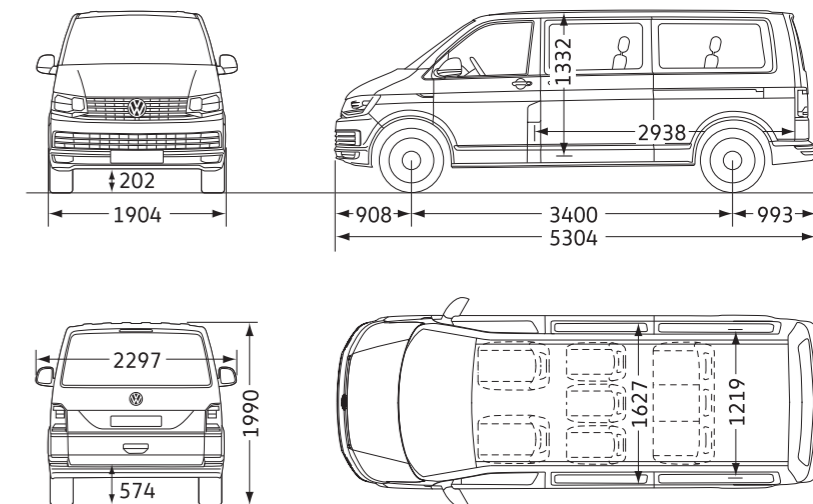
	S	SE
Wheelbase	3,000	3,000
Load compartment	length	2,572
	width	1,627
	width between	1,219
	wheel arches	
	height	1,335
	floor area	4.3m ²
	load volume	5.8m ³
Side sliding door	width	1,017
	height	1,261
Tailgate	width	1,438
	height	1,276
Turning circle (wall to wall)	11.9m	11.9m



Dimension figures in brackets refer to shuttle SE.

Shuttle S and SE long wheelbase.

	S	SE
Wheelbase	3,400	3,400
Load compartment	length	2,938
	width	1,627
	width between	1,219
	wheel arches	
	height	1,332
	floor area	5.0m ²
	load volume	6.7m ³
Side sliding door	width	1,017
	height	1,261
Tailgate	width	1,439
	height	1,276
Turning circle (wall to wall)	13.2m	13.2m



¹ Fuel consumption and CO₂ figures are obtained under standardised EU test conditions. This allows a direct comparison between different manufacturer models but may not represent the actual fuel consumption achieved in 'real world' driving conditions. In addition to the fuel efficiency of a vehicle, driving behaviour as well as other non-technical factors (such as environmental conditions, including weather and traffic) play a role in determining a vehicle's fuel consumption and CO₂ emissions. More information is available at www.dft.gov.uk/vca. Other factors including trimline, extra equipment, options and accessories (wheels, tyres, etc.) may change vehicle parameters such as the weight, rolling resistance of the tyres and the aerodynamics and thus influence the fuel consumption, CO₂ emissions and driving performance values.

² Unladen weight includes approximately 90% fuel load and 75kg for driver.

³ Payload = gross vehicle weight minus unladen weight. Quoted weights are for vehicles with standard specification. Unladen weight and payload may be influenced by trimline, factory options and Van Centre fitted accessories. Roof load limit: 100kg (with two roof carriers) or 150kg (with at least four roof carriers). Trailer nose weight: 100kg.

Please note: Vehicle drawings are not to scale. All dimensions are in millimeters (mm), unless otherwise stated. The height measurements listed may vary by ± 50mm depending on model and equipment fitted.

Service and warranties.

Finance and insurance.¹

When it comes to paying for your van, we've got options including Contract Hire and Finance Lease, or Hire Purchase. We can also offer you competitive insurance.

A choice of packages.²

Whether you prefer to lease your vehicles, with none of the concerns of ownership and the freedom to change models easily, or purchase outright to own the vehicle that's perfect for your business, we're here to help you consider your options.

You can go flexible, by choosing a payment plan that suits your finances, with options to reduce your monthly costs and your repayment period. Or choose a fixed monthly price that allows you to budget confidently for the longer term.

You can even include your road tax and servicing costs to arrive at one simple, all-inclusive payment. For more information, pick up a finance brochure, or ask at your Van Centre.

Volkswagen insurance.

Volkswagen Commercial Vehicles Insurance¹ provides cost-effective and comprehensive motor insurance³, as well as gap insurance⁴, which helps replace your vehicle and protect you from any financial shortfall if it's written off.

Insurance benefits include:

- Complimentary 5-day insurance cover to allow you to drive your vehicle away.
- All repairs performed by approved repairers.
- Volkswagen Genuine Parts[®] used on all repairs.
- Courtesy vehicle provided during repair following an accident.
- Cover for breakage and damage to glass.
- In-vehicle personal belongings cover (up to £250).
- Vehicle recovery.
- 90-day European Union cover.
- Legal expenses cover (up to £100,000).

For more information about motor and gap insurance products, ask at your Van Centre, call **0330 303 6942**, or visit insurewithwcv.co.uk.

⁵ Business Vans Awards 2014 and 2015: Best Service Package for Van Owners.

⁶ Class 4 MOT only. This option is available to all new and used vehicles up to four years old or with less than 80,000 miles on the clock. Services must be used consecutively prior to vehicle reaching eight years old.

Servicing and support.

We're here to keep your business moving, with our range of three award-winning⁵ servicing and maintenance options, as well as free Roadside Assistance. Some exclusions apply. For more detail, please visit www.volkswagen-vans.co.uk/aftersales.

Pay monthly.

This option is available for vehicles that are less than 12 months old and have covered less than 10,000 miles. It makes budgeting easier by splitting the cost of servicing into fixed monthly payments – whether you want Service only, Service and Maintenance or Service, Maintenance and Tyres.

Pay upfront.⁶

If you can pay for more than one service upfront, we'll help by reducing your costs. Buy two upfront and you'll receive one interim and one full service at a discounted rate. Buy four and you'll receive two interim and two full services, with your next MOT also included.

Pay on demand.

If you're looking for freedom and flexibility with your servicing, it's good to know we're ready when you are. So with our third option, you can choose to pay for your services as and when you need them, with our National Service Pricing. Ask your Van Centre for an up-to-date pricing guide.

Roadside Assistance.

We understand the need to keep you mobile. That's why all new vans come with three-year, unlimited mileage roadside cover. Should the unexpected happen, one call gets you straight through to a team trained to help you through any breakdown or accident. Supporting you every day will be a team of vehicle technicians, fully-trained by Volkswagen and carrying the latest diagnostic equipment, specialist tools and parts.

Assistance benefits include:

- Assistance at home, by the roadside or place of work.
- Recovery to your preferred location.
- Onward travel, for you and your cargo.
- Cover 24 hours a day, 365 days a year.
- Free cover for three years (on new vehicles).
- Unlimited mileage.
- European cover.
- Option to extend cover beyond three years.

Warranties.

You can count on us long after you purchase your Transporter shuttle, thanks to its comprehensive three-year, 100,000 mile warranty. You choose Volkswagen because your business depends on it, year in, year out. While your shuttle is under warranty, we'll fix any defect in manufacture or workmanship free of charge, even if you purchase and service the vehicle at different Van Centres. Some exclusions apply and the vehicle must be cared for using the guidance in your owner's manual. For more detail, please visit www.volkswagen-vans.co.uk/aftersales.

Extended warranty.

You can also extend your warranty beyond the three-year, 100,000 mile period, choosing either Comprehensive or Major Component cover, as a one-off or monthly payment. For more detail of cover levels, along with terms and conditions, please visit volkswagenwarranty.co.uk where you'll also be able to obtain a quote and purchase an extended warranty.

Paint and body warranty.

Your Transporter shuttle's exterior paintwork is covered against manufacturing defects for a period of three years, while its body sections and panels are covered against rusting through from the inside for 12 years. Some exclusions apply and the vehicle must be cared for using the guidance in your owner's manual.

¹ Volkswagen Commercial Vehicles Insurance and Volkswagen Commercial Vehicle Financial Services are trading names of Volkswagen Financial Services (UK) Limited, Brunswick Court, Yeomans Drive, Blakelands, Milton Keynes MK14 5LR, which is authorised and regulated by the Financial Conduct Authority (FCA). Registered in England and Wales No. 2835230. Volkswagen Financial Services (UK) Limited financial services register number is 311988.

² An offer of finance depends on certain conditions. Finance subject to status. Available to 18s and over. Terms and conditions apply. Volkswagen Commercial Vehicle Financial Services.

³ Volkswagen Commercial Vehicles Motor Insurance from Volkswagen Insurance Service (Great Britain) Limited is sold and administered by Ageas Retail Limited. Registered in England and Wales No. 1324965. Registered Office: Ageas House, Hampshire Corporate Park, Templars Way, Eastleigh, Hampshire SO53 3YA. Ageas Retail Limited is authorised and regulated by the Financial Conduct Authority, registration number 312468. Volkswagen Insurance Service (Great Britain) Limited is an appointed representative of Volkswagen Financial Services (UK) Limited.

⁴ Volkswagen Commercial Vehicle Insurance gap insurance is underwritten by MAPFRE Asistencia Compañía Internacional de Seguros y Reaseguros Sociedad Anonima authorised by Dirección General de Seguros y Fondos de Pensiones and subject to limited regulation by the Financial Conduct Authority and Prudential Regulation Authority, number 203041. Details about the extent of their regulation by the Financial Conduct Authority and Prudential Regulation Authority are available on request. MAPFRE Asistencia Compañía Internacional de Seguros y Reaseguros Sociedad Anonima is incorporated and registered in the Kingdom of Spain and registered as a foreign company in the United Kingdom with company number FC021974, acting through its UK branch with branch number BR008042 and whose principal office is at Alpha House, 5th Floor, 24A Lime Street, London EC3M 7HS. Volkswagen Commercial Vehicle Insurance gap insurance is administered by Abraxas Insurance Administration Services Limited, who is authorised and regulated by the Financial Conduct Authority with FCA number 308702 and who acts on behalf of the Insurer. Abraxas Insurance Administration Services Limited is registered in England and Wales with company number: 02928787 and whose registered office is at One Glass Wharf, Bristol BS2 0SX. Volkswagen Financial Services (UK) Limited is authorised and regulated by the Financial Conduct Authority (FCA). Authorisation details can be checked on the Financial Services register at www.fca.org.uk/firms/systems-reporting/register or call 0800 111 6768. Volkswagen Financial Services (UK) Limited is not part of the same corporate group as MAPFRE Asistencia Compañía Internacional de Seguros y Reaseguros Sociedad Anonima and Abraxas Insurance Administration Service Limited.

The Van Centre network.



Our **dedicated Van Centre network** is at the core of everything we do and is always there to help. As a separate brand within the Volkswagen Group, it makes sense to make use of your nearest Van Centre – it's full of experts who understand your vehicle better than anyone else and can help you to get the most out of it.

Over **70 Van Centres** and **24 Authorised Repairers**, means you're only around 45 minutes on average from our door.



VWV16SHUTT2

This brochure supersedes all previous publications.

Issue: December 2015

www.volkswagen-vans.co.uk

Please note: Print processes do not allow exact reproduction of the paint and upholstery colours. Some of the vehicles shown are European specification and may be fitted with optional equipment or accessories that are available at extra cost, or do not reflect current specification. All data and specifications are in accordance with information available at the time of going to print and are subject to change without notice. Vehicles not currently in UK stock and customer order vehicles may take a number of weeks for delivery. Certain combinations of vehicle specifications and factory-fitted extras are not compatible and therefore all orders received are subject to confirmation. Models, factory fitted-options and paint and upholstery options are subject to availability. Please check details and availability with an authorised Volkswagen Van Centre at the time of ordering.

