



Commercial
Vehicles

Crafter vans

Panel vans

Great for tools and cargo

Chassis cabs

Dropsides and tippers, too

Window vans

Carry up to eight passengers



Bigger and better

Our largest van now comes
packed with extra features,
helping your business to thrive

Whatever you need, there's a Crafter for you



WHEN YOU WANT to move big loads or lots of people, one vehicle does it all: the Volkswagen Crafter.

There's a Crafter for every task – panel vans with a choice of wheelbases and roof heights, window vans that can seat up to eight passengers, and adaptable chassis cabs with tough dropside and tippers, or the ability to create a bespoke conversion with Engineered For You®.

Thanks to Volkswagen's advanced 2.0-litre TDI diesel engines – with optional BlueMotion Technology for even greater efficiency – they're all incredibly economical to run, and they all come with a great three-year warranty and support package for extra peace of mind.

Now, with an improved standard features list (including items such as cruise control, Bluetooth® phone connectivity and a multi-function steering wheel) the Crafter is even better value, helping you run your day – and your business – even more efficiently.

All you've got to do is pick the model that is right for you.



Crafter
window van

> p16

Crafter
panel van

> p14



Crafter chassis,
dropside and tipper

> p18



Contents

All your van-buying
questions answered

What's it like
to drive? > p6

What engines
are available? > p10

Which model is
right for me? > p14

How much will
my van cost? > p22

What options
can I add? > p36

What are the key
facts and figures? > p56

What support
can I expect? > p70

CONTACT US ON:

0800 717 131

www.volkswagen-vans.co.uk

GET CONNECTED:

@Volkswagen_CV

VolkswagenCommercialVehiclesUK

vwcommercialvehicles



Delivering the goods. It's what we've always done...

Today's much-loved Volkswagen vans are only the latest step in a 60-year journey that started with one clever idea

Back in 1947, Dutch importer Ben Pon spotted workers at Volkswagen's Wolfsburg factory using a stripped-down Beetle to move parts and machinery around. Inspired, he sketched the platform for a versatile commercial vehicle that could be adapted to a wealth of uses. From this, the Transporter was born, and the van world has never looked back.

Today, Volkswagen vans are more popular than ever, with a diverse model range – from the compact Caddy, through the versatile Transporter and Crafter, to the Caravelle passenger carrier and the Amarok pick-up.

They're as versatile and dependable as Volkswagens have always been, but now they're more spacious, more comfortable, easier to drive and more fuel-efficient than ever before. They're also backed up by a Van Centre network that's ready to solve any problem you may have, too.

Getting the job done efficiently and reliably has been at Volkswagen's heart for the last 60 years. It's a reputation for rugged reliability that has endured the decades. And that's why you can count on us to deliver a van that works for you, today.



Driving

Get from A to B
easily and in comfort



Size that's easy to handle

Moving large loads has never been so simple. The Crafter blends a huge cargo space with an advanced engine and fine driving manners

Big loads need a big van – and that used to mean a big effort to drive it. Not any more. The Crafter's easy-shift gearbox, allied to an advanced 2.0-litre TDI turbo-diesel engine and clever suspension, make driving a spacious van easier than ever.

Easy to drive anywhere

Whether it's fast, inter-city deliveries or round-town drop-offs, the Crafter helps you arrive stress-free, every time. Its suspension is ultra-robust for heavy loads, yet forgiving enough to keep you comfy. Power steering takes the effort out of city driving and parking, while you get cruise control as standard, helping to make long motorway journeys easier, and even more fuel efficient.

The efficient TDI engine produces lots of torque, so you need fewer gear changes, which keeps clutch-foot fatigue at bay. When you do have to change gear, the dash-mounted gearstick is slick to use.

Safety comes built in

Nothing is more important than keeping you and your load safe, so every Crafter comes with a range of safety aids, with most fitted as standard. Volkswagen's advanced Electronic Stabilisation Programme (ESP) works with features such as Anti-lock Braking System (ABS), Electronic Brakeforce Distribution (EBD) and Traction Control System (TCS) to improve your van's stability. It even takes your load into account.



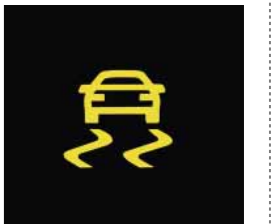
Whatever kind of driving you do, the Crafter makes it simple, thanks to a great engine and fantastic driver aids

Driving tech explained



Cruise control

Cruise control, standard across the Crafter range, can help reduce driver stress and improve fuel consumption. Keeping a steady speed, rather than fluctuating, is particularly useful on long journeys.



What is ESP?

Electronic Stabilisation Programme (ESP) uses many of the Crafter's safety systems to help keep your van stable if you have to make any emergency manoeuvres.

A cab that works for you

The Crafter's cab is built to suit the way you work, with lots of space, superb levels of comfort and clever features

We know that your van is central to how you run your business – it's as much a mobile office as it is a delivery vehicle. That's why we've designed a cab that works hard for you, making your working life that much easier.

The personal fit

Ergonomically designed seats give terrific support with height, lumbar, reach and rake adjustment, and now include armrests on the driver's seat for added comfort. The steering wheel also has rake and reach adjustment, helping you create the perfect driving position.

Controls at your fingertips

The Crafter now comes with a multi-function steering wheel for fingertip control of your audio. You also get the RSD 4000 audio as standard, with Bluetooth® connectivity for hands-free calls, and radio data system for traffic updates. Electrically adjustable heated door mirrors are now fitted as standard, along with electric front windows and remote central locking.



The RSD 4000 is MP3 compatible and packs Bluetooth® connectivity, too

Easy-to-use controls that let you focus on the driving

The clear, ergonomic dash and simple-to-use controls help you stay focused on the road. And, with the user-friendly multi-function steering wheel now fitted as standard, you'll have finger-tip control of your music and phone.

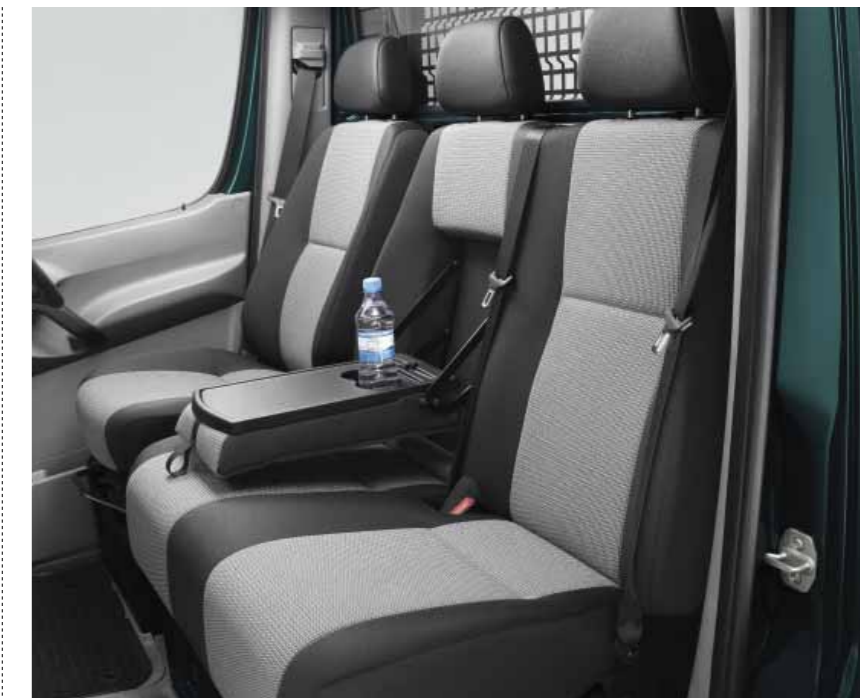


Audio that keeps you connected

Every Crafter comes with an RSD 4000 radio with integrated Bluetooth®, audio streaming and colour display as standard. You can also choose to upgrade to a satellite-navigation system for additional features.

Seating for three – or more

Crafters come with a driver's seat and a dual passenger seat in the cab as standard, but other alternatives are available. In the window van, we have a wealth of passenger seating options, letting you seat up to eight passengers.



Plenty of places to store your stuff

WORKING VEHICLES DON'T just carry the load in the rear – the cab carries the clutter that fills your working day, too. That means invoices, drinks, laptops and more. You'll find lots of storage areas in every Crafter – five drinks holders, a big glove compartment, storage areas overhead and in the doors, passenger seat, centre console and dash.



Engines

Technology that helps to cut fuel bills and lower emissions



Intelligent power to drive you on

The Crafter's advanced 2.0-litre TDI engines are strong enough to get the job done, while keeping fuel bills to a minimum

Fuel is likely to be your van's biggest running cost nowadays, and a big burden on your business. That's why we've taken our years of experience developing advanced turbodiesel (TDI) technology and applied it to the Crafter's 2.0-litre TDI engine range. As a result, they now offer more power and use less fuel than ever before – up to 20% less, in fact.

Versatile engine choices

The Crafter's engine range starts with a 109PS 2.0-litre TDI that provides our best fuel efficiency, and goes all the way to the range-topping 163PS 2.0-litre TDI that has plenty of power and torque for heavy loads.

Go even greener

If you want to save even more fuel and cut emissions even further, you can always add BlueMotion Technology, or go for the ultra-efficient BlueMotion model. Turn the page to learn more about how BlueMotion Technology works.



Tips to save you even more fuel

Add a sat-nav

A sat-nav can plot shorter routes and prevent wrong turns – some can even help you navigate around traffic jams. It all helps cut fuel consumption.

Driver training

Training can teach you to drive more economically and safely. Ask the Freight Transport Association (www.fta.co.uk) for details.

Check your tyre pressures

Up to 20% of fuel consumption comes from the tyres' rolling resistance. It's even more if your tyres are underinflated, so check them regularly.

Use your gearshift indicator

A gearshift indicator is fitted to all Crafters. It helps you change gear at the most efficient times.

More miles, less impact

BlueMotion Technology lowers your running costs and your van's CO₂ emissions, and it's now available on the Crafter range

If you want to take the fuel efficiency of your Volkswagen Crafter to a whole new level – and cut emissions even further – you can always opt to add BlueMotion Technology to your engine choice.

The power of technology

BlueMotion Technology is a combination of energy-saving solutions – start/stop, energy recuperation and cruise control. Working together, they reduce CO₂ emissions and significantly improve fuel economy. Over the life of your van, that could lead to a significantly lower whole-life running cost, as well as lots of time saved at the pumps.

Savings without compromise

Another benefit of BlueMotion Technology is that the savings come without compromise to the way you work. You can still add virtually any factory-fit options to your Crafter you like, including alloys, load lashing rails and towing preparation – just ask your Van Centre to help choose the best ones for you.



Cruise control

By keeping your van at a constant speed, cruise control saves fuel that would normally be wasted when your speed fluctuates. It's especially useful for driving over long stretches, because it stops your speed creeping up unintentionally and reduces driver stress.



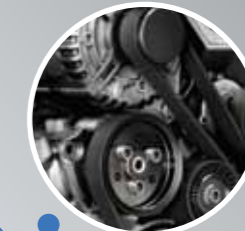
BlueMotion Technology badge

By carrying the BlueMotion Technology badge, you show that your business chooses its vehicles to keep its impact on the environment to a minimum.



Start/stop

Start/stop allows you to save fuel at traffic lights. When you stop, put your van in neutral, release the clutch and the engine automatically switches off, saving fuel and reducing emissions. When you're ready to go, depress the clutch and the engine starts up again.



Energy recuperation

When braking, energy during deceleration is wasted. Our energy recuperation system uses some of that momentum to turn the alternator and charge the battery. If the battery is well-charged, the engine has to do less work turning the alternator to keep it topped up. This cuts fuel use and emissions.



How BlueMotion Technology works to lower your fuel bills and CO₂ emissions

BlueMotion Technology is available as an engine option on most Crafter vans, and is made up of four clever elements. Together, they significantly reduce fuel consumption and CO₂ emissions, which keeps money in your pocket and reduces our impact on the world around us.



Models

A range of vehicles for big loads or lots of passengers



Crafter panel van

All the space you'll need

How tall? How long? How heavy? Whatever your cargo, the Crafter can handle it, thanks to a wide choice of wheelbases, load lengths and heights

With three wheelbases, three roof heights, four body lengths and a payload of up to 2.6 tonnes, there's a Crafter for almost any load. That means you can deliver the goods, whatever they are, wherever they're needed.

Huge loads, plenty of choice

Even the smallest short-wheelbase Crafter has a huge load bay that will take objects up to 2.6m long, with a hefty payload of 1,428kg, and a 7.5m³ load volume. Payloads go up to 2,604kg on the medium-wheelbase model, while the class-leading long-wheelbase Maxi model has a 4.7m load length and a 17m³ load volume.

The sliding side door is wide enough for a standard Euro pallet. At the back, you now get 270° rear-wing doors, which fold right round, making it even easier to use the 1.56m load width. You also get two load-lashing rings on the B-pillar and between six and 12 load-lashing rings on the floor (depending on the wheelbase).

Configure it to suit your needs

There are many ways you can configure your Crafter to suit your needs. Whether that's with roof bars or towing accessories to increase your load-carrying capacity, plying to protect the load area, or load-lashing and storage options, there is something for everyone.



Sizing your load

Depending on which wheelbase you opt for, you can fit between three and five stacks of Euro pallets in the Crafter panel van.



Crafter window van

Great for eight

With versatile seating for up to eight passengers and room for all their luggage, the Crafter window van is a practical, economical people carrier

Comfortable, versatile and economical, the Crafter window van is the perfect vehicle for private hire or crew transport alike. Clever seating solutions let you customise the passenger area without compromising the space for luggage or equipment.

Space for all your needs

The Crafter window van comes in medium-wheelbase or long-wheelbase with two roof options. A high roof comes as standard to give your passengers lots of headroom and to accommodate tall items of luggage. However, if you

drive to lots of locations with height restrictions – car parks or building canopies, for example – a low roof is available as an option.

Versatile interior

We know that your business will have its specific passenger needs. That's why the window van is fully customisable with a choice of three rear-seat packs with up to three rows, helping you to get more people in, while still leaving lots of room for luggage.

The supportive seats bring all the comfort you'd expect from a Volkswagen, with adjustable, three-point seatbelts. You can also build wheelchair access into your Crafter window van through one of our accredited converters – just ask your Van Centre for more details.

Tailor-made, to suit you

If you're looking for something a little more specific, we've sourced a selection of coachbuilders across the country as our accredited converters. Whether you need a mobile cocktail bar, passenger-bus conversion or specialist catering vehicle, they'll carry out whatever you need through our Engineered For You™ scheme, and turn your vision into a reality.



Keeping cool

You can keep all your passengers cool with air-conditioning that extends into the rear passenger bay



Chassis, dropside and tipper

Versatile and tough

The Crafter chassis offers the ideal blend of big payloads and customisation options

Sometimes, a panel van just won't do – you might need a highly specialised load area, or perhaps what you carry won't fit in the back of a panel van. If that's the case, the Crafter chassis provides all the heavy-duty practicality you need.

More people, more cargo

The Crafter chassis cab is available with either a single cab that seats up to three people, and a max payload of 2,982kg, or a double cab that seats up to seven and carries up to 2,732kg. You also have a choice of adding a factory-fit dropside or tipper, or a solution specifically engineered to your requirements (see right).

Options that work for you

The Crafter chassis comes with an extensive range of factory-fit options, including towing accessories for heavy plant equipment and trailers. Your Van Centre can help you equip your van with the kit you need.



Engineered To Go™

Off-the-shelf dropside and tipper

Volkswagen's Engineered To Go™ scheme includes a variety of ready-to-go dropside and tipper bodies manufactured specifically for Volkswagen by leading bodybuilder Ingimex. They're made using a galvanised steel sub-frame, resin-coated birch plywood decks and anodised aluminium side and tail panels – all three of which can open for easy loading. That means that they're hard-wearing, corrosion-resistant, and recognised for their quality and durability – benefits that enhance your van's resale value, as well as how you use it every day.



Engineered For You™

Need something more specific?

If none of our off-the-shelf conversions are quite right, try our Engineered For You™ scheme. All conversions under this scheme meet Volkswagen's exacting standards, and each one comes with a warranty and aftersales support that's identical to the rest of the vehicle. This means you get the van you want with the quality and back-up you expect from Volkswagen.



BlueMotion

Take fuel economy to a new level with our most efficient Crafter

The ultimate in efficiency

The Crafter BlueMotion is the most economical Crafter we've ever built

The Crafter BlueMotion panel van brings a new level of efficiency to the Crafter range. As well as using all of the BlueMotion Technologies, every aspect of its specification has been optimised to reduce weight and improve aerodynamics. With a choice of either the 109PS or the 136PS version of the 2.0-litre TDI turbo-diesel engine you can get impressive fuel-efficiency of up to 39.8mpg (combined) and CO₂ emissions as low as 187g/km.

And it has all been achieved without compromising the Crafter's load-carrying capabilities – you still get the same payloads and dimensions as the equivalent standard Crafter.



Same great load space

The Crafter BlueMotion is just as user-friendly as any other Crafter – with its short wheelbase, it's pretty compact, yet it can still carry up to 965kg and loads as long as 2.6m.

BlueMotion Technologies

The Crafter BlueMotion contains all our BlueMotion Technologies: start/stop, energy recuperation and cruise control.

Improved economy

A choice of 2.0-litre TDI engines with either 109PS or 136PS brings fuel economy of up to 39.8mpg (combined) and CO₂ emissions as low as 187g/km, while still offering plenty of power.

Plenty of options

The Crafter BlueMotion has almost the same extensive range of options as the rest of the Crafter range, letting you customise your van to your exacting needs. A few are limited due to the BlueMotion model's ultra-efficient design, but your Van Centre can help you choose the right solution for you.

Features and prices

It's time to choose your perfect Crafter

Crafter panel van: Standard features



Exterior

75-litre fuel tank with lockable cap
 Black wheel centre caps
 Black bumpers with integrated front step
 Electrically adjustable and heated door mirrors
 Externally adjustable external convex mirrors with indicators (fitted to brace on driver and passenger sides for CR50 only)
 Passenger-side sliding door
 270° rear wing doors
 Front and rear towing eyes
 Heat-reflective glass
 Preparation for side marker lights (medium-wheelbase and long-wheelbase models only)
Front and rear axle:
 Anti-roll bar, front (front and rear on CR50 models)
 Front transverse leaf-spring independent suspension
 Rear rigid axle with leaf springs (CR35 chassis and double cabs – double leaf; CR50 – triple leaf Telescopic shock absorbers)
Steel wheels:
 16" x 6.5J on CR35 models
 16" x 5.5J on CR50 models
Rear wheels:
 Single rear wheel on CR35 models
 Twin rear wheels on CR50 models
Tyres:
 235/65 R16C on CR35 models
 195/75 R16C on CR50 models
 Tool kit and jack
 Full-size spare wheel

Interior

Cab area:
 Power steering
 Manual heating with charcoal filter and air recirculation
 RSD 4000 radio/audio interface with Bluetooth®
 Tasamo fabric seat covers (Anthracite)
 Electric front windows
 Driver's seat with height, reach and rake adjustment
 Steering wheel with reach and rake adjustment
 Multi-function steering wheel with multi-function display
 Driver's seat armrest
 Digital clock
 Rev counter
 Dual passenger seat with storage box and folding tray in backrest
 Interior light (including two reading lights)
 Two folding and pivoted sun visors
 12V socket
 Digital tachograph (CR50 only)
 Dimmable dashboard illumination
 Grab handles
 Rubber floor covering
Cab storage:
 Five drinks holders
 Document holder on centre console
 Glove compartment
 Overhead storage (max load 5kg)
 Storage compartment in doors and in right step
 Storage tray in centre console and on dashboard
Cargo area:
 Door-activated interior lighting
 Wooden flooring
 Full-height steel bulkhead without window
 Interior side door entry step
 Two load-lashing rings on B-pillar
 Entry grab handle
 Floor-mounted lashing rings (6 on short wheelbase, 8 on medium wheelbase, 10 on long wheelbase, 12 on Maxi)
 Rear-door interior release lever

Safety and security

Driver's airbag
 Height-adjustable head restraints
 Height-adjustable seat belts for all outer cab seats
 Three-point inertia-reel seat belts for all seats
 Seat belt warning light for driver
 Electronic Stabilisation Programme (ESP): load adjusting
 Electronic Differential Lock (EDL)
 Anti-lock Braking System (ABS)
 Electronic Brake Assist (EBA)
 Electronic Brakeforce Distribution (EBD)
 Traction Control System (TCS) (not with 4MOTION®)
 Windscreen wiper with variable intermittent delay and wash/wipe system
 Halogen main headlights with range control and daytime running function
 Bulb failure monitor deactivation
 Warning buzzer for lights left on
 Hydraulic brake system with ventilated front and solid rear disc brakes (ventilated front and rear on CR50)
 Brake pad wear, failure and fluid level indicators
 Automatic hazard lights activation under emergency braking
 Centre high-mounted stop light
 Rear fog light
 Remote central locking with two remote keys
 Electronic steering wheel lock
 Engine immobiliser
 Speed limiter: 56mph (90km/h) on CR50 models



Rear wing doors

Unglazed 270° rear wing doors are fitted as standard for easy access. You can choose to fit wing doors with heated windows and wash/wipe. (Image shows optional bulkhead with window; full-height solid bulkhead is standard fit).



Passenger-side sliding door

The Crafter panel van comes with a sliding door fitted on the passenger side as standard. You can swap this for a sliding door on the driver's side, or have sliding doors on both sides for even easier loading. Electric doors are also available.



RSD 4000 radio/audio interface

The RSD 4000 includes an AM/FM radio, SD card slot, aux-in, USB interface, audio via Bluetooth® and telephone via Bluetooth® for up to two devices simultaneously. It also includes a 5.8" colour display and two speakers in the cab.



In-cab storage solutions

The Crafter panel van has a wealth of storage areas for all the invoices, laptops and phones that would normally clutter your cab. This includes five cup holders, a document holder and overhead storage for up to 5kg.



Electrically adjustable door mirrors and front windows

Every Crafter comes with electric front windows and electrically heated and adjustable door mirrors.



Safety features: as standard

The Crafter comes with a driver's airbag, as well as Electronic Stabilisation Programme (ESP), Anti-lock Braking System (ABS) and Electronic Brakeforce Distribution (EBD) for greater safety.



Cargo area

The rear of the Crafter panel van makes loading easy, with a door-activated interior light, plenty of load-lashing rings on the floor and B-pillar, an interior rear door release lever and a full-height steel bulkhead for cab protection.



Cruise control

By keeping your Crafter at a constant speed for long stretches of road, cruise control helps save fuel and make your journey more relaxing.



Crafter panel van: Prices



| Model | Engine/transmission | Basic (ex VAT) | Total (inc VAT) | Total RRP including OTR* (ex VAT) | Total RRP including OTR* (inc VAT) |
|---|---------------------|-------------------|-----------------|-----------------------------------|------------------------------------|
| Short wheelbase | | | | | |
| CR30 | 2.0TDI 109PS | £22,205.00 | £26,646.00 | £23,065.00 | £27,623.00 |
| | 2.0TDI 136PS | £23,215.00 | £27,858.00 | £24,075.00 | £28,835.00 |
| CR35 | 2.0TDI 109PS | £25,340.00 | £30,408.00 | £26,200.00 | £31,385.00 |
| Medium wheelbase (high roof as standard) | | | | | |
| CR35 | 2.0TDI 109PS | £26,960.00 | £32,352.00 | £27,820.00 | £33,329.00 |
| | 2.0TDI 136PS | £27,970.00 | £33,564.00 | £28,830.00 | £34,541.00 |
| | 2.0TDI 163PS | £28,880.00 | £34,656.00 | £29,740.00 | £35,633.00 |
| CR35+ | 2.0TDI 109PS | £27,820.00 | £33,384.00 | £28,680.00 | £34,361.00 |
| CR39 | 2.0TDI 109PS | £28,880.00 | £34,656.00 | £29,740.00 | £35,633.00 |
| CR50 | 2.0TDI 109PS | £31,000.00 | £37,200.00 | £31,805.00 | £38,122.00 |
| | 2.0TDI 163PS | £32,920.00 | £39,504.00 | £33,725.00 | £40,426.00 |
| CR50+ | 2.0TDI 163PS | £33,275.00 | £39,930.00 | £34,080.00 | £40,852.00 |

Crafter "+" models add the following features:

- Reinforced front axle
- Reinforced front stabiliser
- Heavy duty rear shock absorber

Every Crafter comes with an 'On The Road' package that covers basic vehicle costs

| On The Road (OTR) package | CR35 | CR50 |
|----------------------------------|---------|---------|
| First registration fee | £55.00 | £55.00 |
| Delivery to Van Centre | £565.00 | £565.00 |
| VAT | £117.00 | £117.00 |
| Vehicle Excise Duty (12 months)* | £220.00 | £165.00 |
| Number plates | £20.00 | £20.00 |
| Basic OTR (ex VAT) | £860.00 | £805.00 |
| Total OTR price | £977.00 | £922.00 |

* For full details of VED (Vehicle Excise Duty) bands and other costs included in the On The Road package, please ask your Van Centre.

| Model | Engine/transmission | Basic (ex VAT) | Total (inc VAT) | Total RRP including OTR* (ex VAT) | Total RRP including OTR* (inc VAT) |
|---|---------------------|-------------------|-----------------|-----------------------------------|------------------------------------|
| Long wheelbase (high roof as standard) | | | | | |
| CR35 | 2.0TDI 109PS | £27,620.00 | £33,144.00 | £28,480.00 | £34,121.00 |
| | 2.0TDI 136PS | £28,630.00 | £34,356.00 | £29,490.00 | £35,333.00 |
| | 2.0TDI 163PS | £29,540.00 | £35,448.00 | £30,400.00 | £36,425.00 |
| CR39 | 2.0TDI 109PS | £30,905.00 | £37,086.00 | £31,765.00 | £38,063.00 |
| CR50 | 2.0TDI 109PS | £31,660.00 | £37,992.00 | £32,465.00 | £38,914.00 |
| | 2.0TDI 163PS | £33,580.00 | £40,296.00 | £34,385.00 | £41,218.00 |
| CR50+ | 2.0TDI 163PS | £33,935.00 | £40,722.00 | £34,740.00 | £41,644.00 |
| Long wheelbase maxi (high roof) | | | | | |
| CR35 | 2.0TDI 109PS | £28,230.00 | £33,876.00 | £29,090.00 | £34,853.00 |
| | 2.0TDI 136PS | £29,240.00 | £35,088.00 | £30,100.00 | £36,065.00 |
| | 2.0TDI 163PS | £30,150.00 | £36,180.00 | £31,010.00 | £37,157.00 |
| CR50 | 2.0TDI 109PS | £32,270.00 | £38,724.00 | £33,075.00 | £39,646.00 |
| | 2.0TDI 163PS | £34,190.00 | £41,028.00 | £34,995.00 | £41,950.00 |



Finance that makes buying a Volkswagen even more affordable

Our extensive range of finance packages can make driving a Volkswagen Crafter a reality. Ask your Van Centre for a Business Finance brochure and speak to us today – you may be surprised at how much you can afford.



Crafter panel van: **BlueMotion Technology**

BlueMotion Technology

Technology that dramatically improves the fuel efficiency and lowers emissions from your van, cutting your fuel bills and your impact on the environment. It can be added to selected CR35 Crafter panel vans, and combined with most other factory-fit options



Start/stop

Start/stop helps you to save fuel in slow traffic and at traffic lights by cutting the engine. When you're ready to get going again, the engine automatically restarts.



Cruise control

By keeping your Crafter at a constant speed for long stretches of road, cruise control saves fuel that would normally be wasted when your speed fluctuates.



Energy recuperation

Energy recuperation uses momentum during deceleration to turn the alternator and charge the battery. That means the engine can do less work at other times.



BlueMotion Technology badge

By carrying the BlueMotion Technology badge, you show that your business chooses its vehicles to keep its impact on the environment to a minimum.



Add the BlueMotion Technology price to the standard price of selected CR35 Crafter panel vans

| BlueMotion Technology price | |
|-----------------------------|---------|
| Basic (ex VAT) | £355.00 |
| Total RRP (inc VAT) | £426.00 |

Crafter panel van: **BlueMotion**

Crafter BlueMotion panel van

A unique model with the best fuel economy in the Crafter range. It uses all the BlueMotion Technologies and a specification optimised to reduce weight and improve aerodynamics. The end result – a fuel-efficiency of up to 39.8mpg (combined).



| Model | Engine/transmission | Basic (ex VAT) | Total (inc VAT) | Total RRP including OTR* (ex VAT) | Total RRP including OTR* (inc VAT) |
|------------------------|-------------------------|-------------------|-----------------|-----------------------------------|------------------------------------|
| Short wheelbase | | | | | |
| CR30 | 2.0TDI 109PS BlueMotion | £22,685.00 | £27,222.00 | £23,545.00 | £28,199.00 |
| | 2.0TDI 136PS BlueMotion | £23,695.00 | £28,434.00 | £24,555.00 | £29,411.00 |

* For full details of VED (Vehicle Excise Duty) bands and other costs included in the On The Road package, please ask your Van Centre.



BlueMotion panel van features

Crafter panel van standard features, the BlueMotion Technology pack, plus:

- 'Timo' cloth upholstery
- BlueMotion exterior badge
- 235/65 R16 C with optimised rolling resistance tyres
- Tyre mobility set: 12-volt compressor and tyre sealant
- RSD 2000 radio/audio interface with Bluetooth®



RSD 2000 radio/audio interface

Includes an AM/FM radio, aux-in and USB interfaces for external devices, an SD card slot, audio via Bluetooth® and telephone via Bluetooth® for up to two devices at the same time. Also includes a 4.3" monochrome display, storage compartment under the display and two speakers in the cab.



Crafter window van: Standard features



Exterior

- 75-litre fuel tank with lockable cap
- Black bumpers with integrated front step
- Black wheel centre caps
- Externally adjustable external convex mirrors with indicators
- Passenger-side sliding door
- Rear wing doors with heated rear window and wipers
- Front and rear towing eyes
- Windows – fixed left and right
- Side marker lights
- Front and rear axle:**
- Anti-roll bar, front
- Front transverse leaf spring independent suspension
- Rear rigid axle with leaf springs – single leaf
- Telescopic shock absorbers
- Wheels and tyres:**
- Steel wheels: 16" x 6.5J
- Rear wheels: single
- Tyres:**
- 235/65 R16C
- Tool kit and jack
- Full-size spare wheel
- (tyre repair kit available as option)

Interior

- Cab area:**
- Power steering
- Manual heating system with charcoal filter and air recirculation
- RSD 4000 radio/audio interface with Bluetooth®
- Tasamo fabric seat covers (Anthracite)
- Electric front windows
- Electrically adjustable and heated door mirrors
- Driver's seat with height, reach and rake adjustment
- Steering wheel with reach and rake adjustment
- Multi-function steering wheel with multi-function display
- Driver's seat armrest
- Digital clock
- Rev counter
- Single passenger seat
- Interior light (including two reading lights)
- Two folding and pivoted sun visors
- 12V socket
- Digital tachograph (CR50 only)
- Dimmable dashboard illumination
- Grab handles
- Rubber floor covering
- Cab storage:**
- Five drinks holders
- Document holder on centre console
- Glove compartment
- Overhead storage (max load 5kg)
- Storage compartment in right step
- Storage compartments (open and closed) in doors
- Storage tray in centre console
- Storage tray on dashboard
- Passenger area:**
- Door-activated interior lighting
- Interior side-door entry step
- Interior rear-door entry step
- Rear-door interior release lever

Safety and security

- Driver's airbag
- Height-adjustable head restraints
- Height-adjustable seat belts for all outer cab seats
- Three-point inertia reel seat belts for all seats
- Seat belt warning light for driver
- Electronic Stabilisation Programme (ESP): load-adjusting
- Electronic Differential Lock (EDL)
- Anti-lock Braking System (ABS)
- Electronic Brake Assist (EBA)
- Electronic Brakeforce Distribution (EBD)
- Traction Control System (TCS)
- Windscreen wiper with variable intermittent delay and wash/wipe system
- Halogen main headlights with headlight range control
- Bulb failure monitor
- Warning buzzer for lights left on
- Hydraulic brake system with ventilated front and solid rear disc brakes
- Brake pad wear, failure and fluid-level indicators
- Third brake light
- Automatic hazard lights activation under emergency braking
- Rear fog light
- Parking brake
- Parking lights (MWB only)
- Remote central locking with two remote keys
- Electronic steering wheel lock
- Engine immobiliser



Rear wing doors with heated window and wipers

Rear wing doors with a heated window and wipers are fitted as standard on the Crafter window van. You can choose to fit butterfly wing doors with 270° hinges for even easier access.



Passenger-side sliding door

The Crafter window van comes with a sliding door fitted on the passenger side as standard. It includes an interior entry step to help passengers getting in and out of your vehicle. You can also fit an electrical door for even easier access.



RSD 4000 radio/audio interface

The RSD 4000 includes an AM/FM radio, SD card slot, aux-in, USB interface, audio via Bluetooth® and telephone via Bluetooth® for up to two devices simultaneously. It also includes a 5.8" colour display and two speakers in the cab.



In-cab storage solutions

The Crafter panel van has a wealth of storage areas for all the invoices, laptops and phones that would normally clutter your cab. This includes five cup holders, a document holder and overhead storage for up to 5kg.



Electrically adjustable door mirrors and front windows

Every Crafter comes with electric front windows and electrically heated and adjustable door mirrors.



Safety features: as standard

The Crafter comes with a driver's airbag, as well as Electronic Stabilisation Programme (ESP), Anti-lock Braking System (ABS) and Electronic Brakeforce Distribution (EBD) for greater safety. Hill Hold Assist can be added as an option.



Passenger area

The passenger area of the Crafter window van has been designed to make travelling easy, with a door-activated interior light, interior steps for easy access and a number of passenger seating solutions available as factory-fit options.



Cruise control

By keeping your Crafter at a constant speed for long stretches of road, cruise control helps save fuel and make your journey more relaxing.



Crafter window van: **Standard prices**



Finance that makes buying a Volkswagen even more affordable

Our extensive range of finance packages can make driving a Volkswagen Crafter a reality. Ask your Van Centre for a Business Finance brochure and speak to us today – you may be surprised at how much you can afford.

Every Crafter window van has an On The Road package that cover basic vehicle costs

| On The Road (OTR) package | |
|-------------------------------|------------------|
| First registration fee | £55.00 |
| Delivery to Van Centre | £565.00 |
| VAT | £117.00 |
| Vehicle Excise Duty (1 year)* | £840.00 |
| Number plates | £20.00 |
| Basic OTR (ex VAT) | £1,480.00 |
| Total OTR price | £1,597.00 |

| Model | Engine/transmission | Basic (ex VAT) | Total (inc VAT) | Total RRP including OTR* (ex VAT) | Total RRP including OTR* (inc VAT) |
|-------------------------|---------------------|-------------------|-----------------|-----------------------------------|------------------------------------|
| Medium wheelbase | | | | | |
| CR35 | 2.0TDI 109PS | £27,180.00 | £32,616.00 | £28,660.00 | £34,213.00 |
| | 2.0TDI 136PS | £28,190.00 | £33,828.00 | £29,670.00 | £35,425.00 |
| Long wheelbase | | | | | |
| CR35 | 2.0TDI 109PS | £27,840.00 | £33,408.00 | £29,320.00 | £35,005.00 |
| | 2.0TDI 136PS | £28,850.00 | £34,620.00 | £30,330.00 | £36,217.00 |

* For full details of VED (Vehicle Excise Duty) bands and other costs included in the On The Road package, please ask your Van Centre.





Crafter chassis: Standard features



Exterior

- 75-litre fuel tank with lockable cap
- Black wheel centre caps
- Black bumpers with integrated front step
- Externally adjustable external convex mirrors with indicators, (fitted to brace on driver and passenger sides for CR50 only)
- Front and rear towing eyes
- Heat-reflective glass
- Preparation for side marker lights (medium wheelbase and long wheelbase only)
- Roof marker lights
- Front and rear axle:**
- Anti-roll bar, front (front and rear on all CR50 vans)
- Front transverse leaf-spring independent suspension
- Rear rigid axle with leaf springs (CR35 chassis and double cabs – double leaf; CR50 – triple leaf)
- Telescopic shock absorbers
- Steel wheels:**
- 16" x 6.5J on CR35 models
- 16" x 5.5J on CR50 models
- Rear wheels:**
- Single rear wheels on CR35 models
- Twin rear wheels on CR50 models
- Tyres:**
- 235/65 R16C on CR35 models
- 195/75 R16C on CR50 models
- Tool kit and jack
- Full-size spare wheel

Interior

- Cab area (single cab and double cab):**
- Power steering
- Manual heating system with charcoal filter and air recirculation
- RSD 4000 radio/audio interface with Bluetooth®
- Tasamo fabric seat covers (Anthracite)
- Electric front windows
- Electrically adjustable and heated door mirrors
- Steering wheel with reach and rake adjustment
- Multi-function steering wheel with multi-function display
- Driver's seat armrest
- Digital clock
- Rev counter
- Driver's seat with height, reach and rake adjustment
- Dual passenger seat with storage box and folding tray in backrest
- Interior light (including two reading lights)
- Two folding and pivoted sun visors
- Digital tachograph (CR50 only)
- 12V socket
- Dimmable dashboard illumination
- Grab handles
- Rubber floor covering
- Storage:**
- Five drinks holders
- Document holder on centre console
- Glove compartment
- Overhead storage (max load 5kg)
- Storage compartment in right step
- Storage compartments (open and closed) in doors
- Storage tray in centre console
- Storage tray on dashboard
- Double cab passenger area only:**
- Two passenger doors on each side
- Four-seat rear bench with storage box
- Child locks
- Hinged side windows
- Interior entry steps

Safety and security

- Driver's airbag
- Height-adjustable head restraints
- Height-adjustable seat belts for all outer cab seats
- Three-point inertia-reel seat belts for all seats
- Seat belt warning light for driver
- Electronic Stabilisation Programme (ESP): load adjusting
- Electronic Differential Lock (EDL)
- Anti-lock Braking System (ABS)
- Electronic Brake Assist (EBA)
- Electronic Brakeforce Distribution (EBD)
- Speed limiter: 56mph (90km/h) on CR50 models
- Traction Control System (TCS) (not 4MOTION®)
- Windscreen wiper with variable intermittent delay and wash/wipe system
- Halogen main headlights with range control and daytime running function
- Warning buzzer for lights left on
- Hydraulic brake system with ventilated front and solid rear disc brakes (ventilated front and rear on CR50)
- Brake pad wear, failure and fluid level indicators
- Automatic hazard lights activation under emergency braking
- Rear fog light
- Remote central locking with two remote keys
- Electronic steering wheel lock
- Engine immobiliser



Single cab

Perfect for keeping load length to a maximum. Despite the rear's stripped-down nature – perfect for a dropside, tipper, or customising to your own needs – the Crafter chassis still boasts a comfortable, feature-packed cab



Double cab

The ideal model if you want to carry your crew as well as a sizeable load. The four-seat bench in the rear adds extra storage space as well.



Electrically adjustable door mirrors and front windows

Every Crafter comes with electric front windows and electrically heated and adjustable door mirrors. The double cab adds hinged side windows for the rear passengers.



Safety features: as standard

The Crafter comes with a driver's airbag, as well as Electronic Stabilisation Programme (ESP), Anti-lock Braking System (ABS) and Electronic Brakeforce Distribution (EBD) for greater safety. Hill Hold Assist can be added as an option.



RSD 4000 radio/audio interface

The RSD 4000 includes an AM/FM radio, SD card slot, aux-in, USB interface, audio via Bluetooth® and telephone via Bluetooth® for up to two devices simultaneously. It also includes a 5.8" colour display and two speakers in the cab.



Cruise control

By keeping your Crafter at a constant speed for long stretches of road, cruise control helps save fuel and make your journey more relaxing.



In-cab storage solutions

The Crafter chassis has a wealth of storage areas for all the invoices, laptops and phones that would normally clutter your cab. This includes underseat storage for the front dual passenger seat, and the rear four-seat bench if you pick the double cab.



Crafter chassis: Prices



| Model | Engine/transmission | Basic (ex VAT) | Total (inc VAT) | Total RRP including OTR* (ex VAT) | Total RRP including OTR* (inc VAT) |
|--------------------------------------|---------------------|-------------------|-----------------|-----------------------------------|------------------------------------|
| Single cab – medium wheelbase | | | | | |
| CR35 | 2.0TDI 109PS | £25,000.00 | £30,000.00 | £25,860.00 | £30,977.00 |
| | 2.0TDI 136PS | £26,010.00 | £31,212.00 | £26,870.00 | £32,189.00 |
| | 2.0TDI 163PS | £26,920.00 | £32,304.00 | £27,780.00 | £33,281.00 |
| CR50 | 2.0TDI 109PS | £28,030.00 | £33,636.00 | £28,835.00 | £34,558.00 |
| | 2.0TDI 163PS | £29,950.00 | £35,940.00 | £30,755.00 | £36,862.00 |
| CR50+ | 2.0TDI 163PS | £30,305.00 | £36,366.00 | £31,110.00 | £37,288.00 |
| Single cab – long wheelbase | | | | | |
| CR35 | 2.0TDI 109PS | £25,610.00 | £30,732.00 | £26,470.00 | £31,709.00 |
| | 2.0TDI 136PS | £26,620.00 | £31,944.00 | £27,480.00 | £32,921.00 |
| | 2.0TDI 163PS | £27,530.00 | £33,036.00 | £28,390.00 | £34,013.00 |
| CR50 | 2.0TDI 109PS | £28,640.00 | £34,368.00 | £29,445.00 | £35,290.00 |
| | 2.0TDI 163PS | £30,560.00 | £36,672.00 | £31,365.00 | £37,594.00 |
| CR50+ | 2.0TDI 163PS | £30,915.00 | £37,098.00 | £31,720.00 | £38,020.00 |
| Double cab – long wheelbase | | | | | |
| CR35 | 2.0TDI 109PS | £27,075.00 | £32,490.00 | £27,935.00 | £33,467.00 |
| | 2.0TDI 136PS | £28,085.00 | £33,702.00 | £28,945.00 | £34,679.00 |
| CR50 | 2.0TDI 109PS | £30,105.00 | £36,126.00 | £30,910.00 | £37,048.00 |
| | 2.0TDI 163PS | £32,025.00 | £38,430.00 | £32,830.00 | £39,352.00 |

Every Crafter has an On The Road package that covers basic vehicle costs

| On The Road (OTR) package | |
|----------------------------------|----------------|
| First registration fee | £55.00 |
| Delivery to Van Centre | £565.00 |
| VAT | £117.00 |
| Vehicle Excise Duty (1 year)* | £220.00 |
| Number plates | £20.00 |
| Basic OTR (ex VAT) | £860.00 |
| Total OTR price | £977.00 |

* For full details of VED (Vehicle Excise Duty) bands and other costs included in the On The Road package, please ask your Van Centre.

| Model | Engine/transmission | Basic (ex VAT) | Total (inc VAT) | Total RRP including OTR* (ex VAT) | Total RRP including OTR* (inc VAT) |
|---------------------------------------|---------------------|-------------------|-----------------|-----------------------------------|------------------------------------|
| Dropside | | | | | |
| Medium wheelbase – chassis cab | | | | | |
| CR35 | 2.0TDI 109PS | £27,150.00 | £32,580.00 | £28,010.00 | £33,557.00 |
| | 2.0TDI 136PS | £28,160.00 | £33,792.00 | £29,020.00 | £34,769.00 |
| Long wheelbase – chassis cab | | | | | |
| CR35 | 2.0TDI 109PS | £27,970.00 | £33,564.00 | £28,830.00 | £34,541.00 |
| | 2.0TDI 136PS | £28,980.00 | £34,776.00 | £29,840.00 | £35,753.00 |
| Tipper | | | | | |
| Medium wheelbase – chassis cab | | | | | |
| CR35 | 2.0TDI 109PS | £28,385.00 | £34,062.00 | £29,245.00 | £35,039.00 |
| | 2.0TDI 136PS | £29,395.00 | £35,274.00 | £30,255.00 | £36,251.00 |
| Long wheelbase – double cab | | | | | |
| CR35 | 2.0TDI 109PS | £30,460.00 | £36,552.00 | £31,320.00 | £37,529.00 |
| | 2.0TDI 136PS | £31,470.00 | £37,764.00 | £32,330.00 | £38,741.00 |



Finance that makes buying a Volkswagen even more affordable

Our extensive range of finance packages can make driving a Volkswagen Crafter a reality. Ask your Van Centre for a Business Finance brochure and speak to us today – you may be surprised at how much you can afford.

Options

Get the best from your Crafter with our quality options



Paint

You want your Crafter – and your business – to make an impression. The quickest way to do that is to opt for an alternative paint finish

| | Panel van | | Chassis/double cab | | Window van | |
|---|----------------|---------------------|--------------------|---------------------|----------------|---------------------|
| | Basic (ex VAT) | Total RRP (inc VAT) | Basic (ex VAT) | Total RRP (inc VAT) | Basic (ex VAT) | Total RRP (inc VAT) |
| Standard A great range of colours, available at no extra cost | | | | | | |
| | | | | ○ | ○ | ○ |
| | | | | | | |
| Metallic paints Mark out your van and your business from the competition with a smart metallic paint finish | | | | | £820.00 | £984.00 |

Options: Alloy wheels and tyres

Complete your Crafter's sleek, sharp look with a set of stylish alloy wheels

| | Panel van | | Chassis/double cab | | Window van | |
|---|----------------|---------------------|--------------------|---------------------|----------------|---------------------|
| | Basic (ex VAT) | Total RRP (inc VAT) | Basic (ex VAT) | Total RRP (inc VAT) | Basic (ex VAT) | Total RRP (inc VAT) |
| 16" Altamont 235/65 R16C tyres  | | | | | | |
| 17" Hedemora 235/60 R17C tyres  | | | | | | |
| Tyres All-weather tyres 235/65 R16C or 235/60 R17C | £100.00 | £120.00 | £100.00 | £120.00 | £100.00 | £120.00 |



Keep your alloys in perfect condition



Brake dust is full of abrasive and corrosive metal and carbon particles, so clean your alloys every couple of weeks with a specialist brush and cleaning fluid, then coat them with a wax protector. You can buy these at your Van Centre.




If you want even more choice for alloy wheels, check out our Add Ons accessories range. Ask your Van Centre for a brochure, call 0800 717131 or download a copy at www.volkswagen-vans.co.uk

Options: Audio, phone and satellite-navigation

Choose from a range of entertainment systems for great music on the go, or opt for one of our fully integrated satellite-navigation systems

| | | Panel van | | Chassis/double cab | | Window van | | |
|---|--|---|---------------------|--------------------|---------------------|----------------|---------------------|---------|
| | | Basic (ex VAT) | Total RRP (inc VAT) | Basic (ex VAT) | Total RRP (inc VAT) | Basic (ex VAT) | Total RRP (inc VAT) | |
| Audio | | | | | | | | |
| RSD 4000 |  <p>This radio system includes a set of multimedia interfaces and a 5.8" colour TFT display, which can also be used to support the optional rear-view camera</p> <ul style="list-style-type: none"> ✓ 5.8" TFT colour display ✓ AM/FM tuner ✓ Aux-in and USB interface ✓ SD card slot ✓ Audio via Bluetooth® ✓ Bluetooth® hands-free system (pairs up to two devices at the same time) | <p>Front speakers only</p> <p>Front and rear speakers</p> | S | S | S | S | £80.00 | £96.00 |
| RSD 4000 with navigation preparation |  <p>This radio upgrade incorporates the technical interface for the navigation module (available at an additional cost)</p> <ul style="list-style-type: none"> ✓ 5.8" TFT colour display ✓ AM/FM tuner ✓ Aux-in and USB interface ✓ SD card slot ✓ Audio via Bluetooth® ✓ Bluetooth® hands-free system (pairs up to two devices at the same time) ✓ Navigation preparation ✓ Lockable glove compartment to house optional navigation unit | <p>Front speakers only</p> <p>Front and rear speakers</p> | £315.00 | £378.00 | £315.00 | £378.00 | £315.00 | £378.00 |
| | | - | - | - | - | £400.00 | £480.00 | |

| | | Panel van | | Chassis/double cab | | Window van | | |
|-----------------------------|--|---|---------------------|--------------------|---------------------|----------------|---------------------|-----------|
| | | Basic (ex VAT) | Total RRP (inc VAT) | Basic (ex VAT) | Total RRP (inc VAT) | Basic (ex VAT) | Total RRP (inc VAT) | |
| Satellite-navigation | | | | | | | | |
| RNS 6000 |  <p>This radio system includes a set of multimedia interfaces, a 5.8" colour TFT display and satellite-navigation</p> <ul style="list-style-type: none"> ✓ 5.8" TFT colour display ✓ AM/FM tuner ✓ Aux-in and USB interface ✓ SD card slot ✓ Audio via Bluetooth® ✓ Bluetooth® hands-free system (pairs up to two devices at the same time) ✓ Satellite-navigation ✓ Lockable glove compartment to house navigation unit | <p>Front speakers only</p> <p>Front and rear speakers</p> | £1,700.00 | £2,040.00 | £1,700.00 | £2,040.00 | £1,700.00 | £2,040.00 |
| | | - | - | - | - | £2,200.00 | £2,640.00 | |

Options: Body, chassis and windows

Tailor your Crafter to the specific demands of your job with our body and chassis options, including door and roof packs, towbars and dropside bodies

| | | Panel van | | Chassis/double cab | | Window van | |
|---|---------------------|----------------|---------------------|--------------------|---------------------|----------------|---------------------|
| | | Basic (ex VAT) | Total RRP (inc VAT) | Basic (ex VAT) | Total RRP (inc VAT) | Basic (ex VAT) | Total RRP (inc VAT) |
| Roof options | | | | | | | |
| Low roof Only compatible with medium wheelbase | Short wheelbase | - | - | - | - | - | - |
| | Medium wheelbase | -£800.00 | -£960.00 | - | - | -£800.00 | -£960.00 |
| | Long wheelbase | - | - | - | - | - | - |
| | Long wheelbase maxi | - | - | - | - | - | - |
| Extra-high roof (white) | Short wheelbase | - | - | - | - | - | - |
| | Medium wheelbase | £1,290.00 | £1,548.00 | - | - | - | - |
| | Long wheelbase | £1,290.00 | £1,548.00 | - | - | - | - |
| | Long wheelbase maxi | £1,290.00 | £1,548.00 | - | - | - | - |
| Extra-high roof (body-coloured) Body-coloured on exterior only | Short wheelbase | - | - | - | - | - | - |
| | Medium wheelbase | £1,595.00 | £1,914.00 | - | - | - | - |
| | Long wheelbase | £1,595.00 | £1,914.00 | - | - | - | - |
| | Long wheelbase maxi | £1,595.00 | £1,914.00 | - | - | - | - |
| Side doors | | | | | | | |
| Sliding door in passenger/load area – right | | £415.00 | £498.00 | - | - | £415.00 | £498.00 |
| Sliding door in passenger/load area – left, deleted No sliding door on either side of the vehicle | | £15.00 | £18.00 | - | - | £15.00 | £18.00 |
| Electric sliding door on left side Only compatible with side sliding door, left | Short wheelbase | £665.00 | £798.00 | - | - | £665.00 | £798.00 |
| | Medium wheelbase | £665.00 | £798.00 | - | - | £665.00 | £798.00 |
| | Long wheelbase | £735.00 | £882.00 | - | - | £735.00 | £882.00 |
| | Long wheelbase maxi | £735.00 | £882.00 | - | - | £735.00 | £882.00 |
| Electric sliding door on right side Must have side sliding door, right | Short wheelbase | £665.00 | £798.00 | - | - | £665.00 | £798.00 |
| | Medium wheelbase | £665.00 | £798.00 | - | - | £665.00 | £798.00 |
| | Long wheelbase | £735.00 | £882.00 | - | - | £735.00 | £882.00 |
| | Long wheelbase maxi | £735.00 | £882.00 | - | - | £735.00 | £882.00 |



Check your roof height

Roof packs are great for adding load height and volume, but make sure they suit where you work. Height restrictions in city-centre car parks could be as low as 1.8m. To check the height of your van, see the data section on pages 56-69.



Fit an extra side door

The Crafter panel van comes with a passenger side sliding door as standard. Fitting a side door on the driver's side lets you access your load from the pavement, no matter what side of the road you have to park on.

| | | Panel van | | Chassis/double cab | | Window van | |
|---|--|----------------|---------------------|--------------------|---------------------|----------------|---------------------|
| | | Basic (ex VAT) | Total RRP (inc VAT) | Basic (ex VAT) | Total RRP (inc VAT) | Basic (ex VAT) | Total RRP (inc VAT) |
| Side doors (cont) | | | | | | | |
| Electric power latch for sliding door on left Helps close sliding door and operates shortly before the door is fully closed | | £210.00 | £252.00 | - | - | £210.00 | £252.00 |
| Electric power latch for sliding door on right Helps close sliding door and operates shortly before the door is fully closed. Must have side sliding door – right | | £210.00 | £252.00 | - | - | £210.00 | £252.60 |
| Rear doors | | | | | | | |
| Wing doors with windows | | £95.00 | £114.00 | - | - | - | - |
| Wing doors with heated windows | | £200.00 | £240.00 | - | - | - | - |
| Rear wing doors with 270° hinges | | S | S | - | - | £295.00 | £354.00 |
| Windows | | | | | | | |
| Heated windscreen Only with visibility pack. Not with uprated alternator, battery or alternator/battery combination | | £165.00 | £198.00 | £165.00 | £198.00 | £165.00 | £198.00 |



Choose your rear doors

The Crafter panel van has unglazed rear wing doors or rear wing doors with 270° hinges as standard. The Crafter window van has glazed rear wing doors. All offer terrific access to the load bay.

Options: Body, chassis and windows (cont.)

| | Panel van | | Chassis/double cab | | Window van | |
|---|----------------|---------------------|--------------------|---------------------|----------------|---------------------|
| | Basic (ex VAT) | Total RRP (inc VAT) | Basic (ex VAT) | Total RRP (inc VAT) | Basic (ex VAT) | Total RRP (inc VAT) |
| Towing | | | | | | |
| Towbar preparation with socket | £150.00 | £180.00 | £150.00 | £180.00 | £150.00 | £180.00 |
| Towbar - ball coupling 3.5 tonne permissible towing capacity. Not on short-wheelbase models | £995.00 | £1,194.00 | £995.00 | £1,194.00 | £995.00 | £1,194.00 |
| Towbar preparation with bracket, socket and cable Not compatible with rear steps | £230.00 | £276.00 | £230.00 | £276.00 | £230.00 | £276.00 |
| Fixed ball with 13-pin socket Maximum towing weight 2.0 tonnes. Not with rear steps | £365.00 | £438.00 | £365.00 | £438.00 | £365.00 | £438.00 |
| Removable ball with 13-pin socket Maximum towing weight 2.0 tonnes. Not with rear steps | £490.00 | £588.00 | £490.00 | £588.00 | £490.00 | £588.00 |
| Jaw-type with 13-pin socket Maximum towing weight 2.0 tonnes. Not with rear steps | £375.00 | £450.00 | £375.00 | £450.00 | £375.00 | £450.00 |
| Trailer hitch preparation CR35 models only. Not on short-wheelbase models. Includes hitch ball (lockable and removable) and increased towing capacity | £180.00 | £216.00 | £180.00 | £216.00 | £180.00 | £216.00 |



Useful towing tips

1. Watch your weight

Make sure your trailer doesn't exceed your vehicle's maximum towing limit or its gross train weight. You'll find these in your handbook.

2. Load well, stay stable

For stability, put heavy items low down over the trailer axle. Ensure the trailer has a slightly nose-down attitude, but that it doesn't exceed the van's or trailer's nose weight limit.

3. Check your tyres

Your van's tyres may need to be inflated to a greater pressure to cope with the extra load. Check your vehicle's handbook.

| | Panel van | | Chassis/double cab | | Window van | | |
|--|---------------------|---------------------|--------------------|---------------------|----------------|---------------------|---------|
| | Basic (ex VAT) | Total RRP (inc VAT) | Basic (ex VAT) | Total RRP (inc VAT) | Basic (ex VAT) | Total RRP (inc VAT) | |
| Rear steps | | | | | | | |
| Rear bumper step Not with towbars | | | | | | | |
| | Short wheelbase | £100.00 | £120.00 | - | - | £100.00 | £120.00 |
| | Medium wheelbase | - | - | - | - | - | - |
| | Long wheelbase | £100.00 | £120.00 | - | - | £100.00 | £120.00 |
| | Long wheelbase maxi | £100.00 | £120.00 | - | - | £100.00 | £120.00 |
| Rear step (full-width) Not with towbars, steel spare wheel or front and rear parking sensors | | | | | | | |
| | Short wheelbase | £210.00 | £252.00 | - | - | - | - |
| | Medium wheelbase | - | - | - | - | - | - |
| | Long wheelbase | £210.00 | £252.00 | - | - | - | - |
| | Long wheelbase maxi | £210.00 | £252.00 | - | - | - | - |



Check your mirrors...

Always remember to readjust all of your rear-view mirrors when you load or unload your vehicle, because the angle they face will have changed.

Options: Body, chassis and windows (cont.)

| | | Panel van | | Chassis/double cab | | Window van | |
|--|---------------------|----------------|---------------------|--------------------|---------------------|----------------|---------------------|
| | | Basic (ex VAT) | Total RRP (inc VAT) | Basic (ex VAT) | Total RRP (inc VAT) | Basic (ex VAT) | Total RRP (inc VAT) |
| Dropside bodies | | | | | | | |
| Alloy dropside body for CR35 chassis cab Includes side marker lights | Medium wheelbase | - | - | £1,105.00 | £1,326.00 | - | - |
| | Long wheelbase | - | - | £1,600.00 | £1,920.00 | - | - |
| Alloy dropside body for CR50 chassis cab Includes side marker lights | Medium wheelbase | - | - | £1,510.00 | £1,812.00 | - | - |
| | Long wheelbase | - | - | £1,920.00 | £2,304.00 | - | - |
| Alloy dropside body for CR35 double cab Includes side marker lights | Long wheelbase only | - | - | £1,265.00 | £1,518.00 | - | - |
| Alloy dropside body for CR50 double cab Includes side marker lights | Long wheelbase only | - | - | £1,735.00 | £2,082.00 | - | - |



Go for a dropside

If you're going to be carrying large or heavy loads, a chassis or double cab with a dropside could be for you. Our rugged factory-fit dropside is made from double-skinned alloy panels with forged steel hinges.

| | | Panel van | | Chassis/double cab | | Window van | |
|--|---------------------|----------------|---------------------|--------------------|---------------------|----------------|---------------------|
| | | Basic (ex VAT) | Total RRP (inc VAT) | Basic (ex VAT) | Total RRP (inc VAT) | Basic (ex VAT) | Total RRP (inc VAT) |
| Other body and chassis options | | | | | | | |
| Roof load rack preparation Various roof-rack storage solutions are available in our Add Ons accessories range. Ask your Van Centre for details | | £95.00 | £114.00 | - | - | £95.00 | £114.00 |
| | | | | | | | |
| Mud flaps – front only | | £30.00 | £36.00 | £30.00 | £36.00 | £30.00 | £36.00 |
| Mud flaps – front and rear Only available on chassis cab/double cab when fitted with an alloy dropside body | | £60.00 | £72.00 | £60.00 | £72.00 | £60.00 | £72.00 |
| Wing-mounted indicators Not on long-wheelbase or long-wheelbase maxi | | £90.00 | £108.00 | - | - | - | - |
| Wing-mounted indicators Not on short-wheelbase | | £140.00 | £168.00 | £140.00 | £168.00 | £140.00 | £168.00 |
| Side marker lights | Short wheelbase | - | - | - | - | - | - |
| | Medium wheelbase | £40.00 | £48.00 | S | S | S | S |
| | Long wheelbase | £40.00 | £48.00 | S | S | S | S |
| | Long wheelbase Maxi | £40.00 | £48.00 | S | S | S | S |

Add Ons
Accessories to help keep your vehicle 100% Volkswagen

If you want even more choice for body and chassis upgrades, see our Add Ons accessories range, which includes lots of towing and roof-rack solutions. Ask your Van Centre for a brochure, call 0800 717131 or download a copy at www.volkswagen-vans.co.uk

Options: Cargo and rear passenger area

A range of floor coverings, bulkheads and load-lashing rails make light work of your most challenging cargo requirements

| | | Panel van | | Chassis/double cab | | Window van | |
|---|--|--|--|--------------------|---------------------|------------------|---------------------|
| | | Basic (ex VAT) | Total RRP (inc VAT) | Basic (ex VAT) | Total RRP (inc VAT) | Basic (ex VAT) | Total RRP (inc VAT) |
| Bulkheads | | | | | | | |
| High bulkhead with window | | £60.00 | £72.00 | - | - | - | - |
| High bulkhead with sliding window | | £195.00 | £234.00 | - | - | - | - |
| Bulkhead with sliding door <small>For low-roof models only. Includes folding single passenger seat. Not compatible with roof options</small> | Short wheelbase Medium wheelbase Long wheelbase Long wheelbase maxi | - £795.00 £795.00 £795.00 | - £954.00 £954.00 £954.00 | - - - - | - - - - | - - - - | - - - - |
| Bulkhead with sliding door for super-high roof <small>Includes folding single passenger seat. Only compatible with certain roof options</small> | Short wheelbase Medium wheelbase Long wheelbase Long wheelbase maxi | £740.00 £740.00 £740.00 £740.00 | £888.00 £888.00 £888.00 £888.00 | - - - - | - - - - | - - - - | - - - - |
| Bulkhead deleted | | ○ | ○ | - | - | S | S |



Choose a bulkhead

Bulkheads separate the load space from the cab, giving you greater protection from shifting loads, less noise from the cargo bay and a warmer cab in winter.

| | | Panel van | | Chassis/double cab | | Window van | |
|---|--|--|--|-------------------------------|-------------------------------|------------------|---------------------|
| | | Basic (ex VAT) | Total RRP (inc VAT) | Basic (ex VAT) | Total RRP (inc VAT) | Basic (ex VAT) | Total RRP (inc VAT) |
| Load sidelining | | | | | | | |
| Hardboard sidelining | Short wheelbase Medium wheelbase Long wheelbase Long wheelbase maxi | £100.00 £120.00 £140.00 £155.00 | £120.00 £144.00 £168.00 £186.00 | - - - - | - - - - | - - - - | - - - - |
| Plywood sidelining | Short wheelbase Medium wheelbase Long wheelbase Long wheelbase maxi | £285.00 £340.00 £395.00 £445.00 | £342.00 £408.00 £474.00 £534.00 | - - - - | - - - - | - - - - | - - - - |
| Load-lashing rails | | | | | | | |
| Load-lashing rails <small>Only with wooden load floor cover. Not with rubber load floor cover</small> | Load floor only | £135.00 | £162.00 | - | - | - | - |
| Skylights | | | | | | | |
| Fixed skylight in passenger/cargo area | Short wheelbase Medium wheelbase Long wheelbase Long wheelbase maxi | £75.00 £140.00 £185.00 £185.00 | £90.00 £168.00 £222.00 £222.00 | - - - - | - - - - | - - - - | - - - - |
| Ladder carrier | | | | | | | |
| Ladder carrier | On front panel On rear panel On front and rear panels | - - - | - - - | £295.00 £150.00 £440.00 | £354.00 £180.00 £528.00 | - - - | - - - |

Add Ons

Accessories to help keep your vehicle 100% Volkswagen

If you want even more choice for cargo bay storage and protection, check out our Add Ons accessories range, which includes plying, boot-liners and load nets. Ask your Van Centre for a brochure, call 0800 717131 or download a copy at www.volkswagen-vans.co.uk

Options: Comfort and convenience

From cruise control to a multi-function steering wheel, there's a range of features to make driving more comfortable

| | Panel van | | Chassis/double cab | | Window van | |
|---|----------------|---------------------|--------------------|---------------------|----------------|---------------------|
| | Basic (ex VAT) | Total RRP (inc VAT) | Basic (ex VAT) | Total RRP (inc VAT) | Basic (ex VAT) | Total RRP (inc VAT) |
| Hill Hold Assist Not compatible with start/stop function, BlueMotion and BlueMotion Technology | £70.00 | £84.00 | £70.00 | £84.00 | £70.00 | £84.00 |
| Headlight washers Included in Visibility Pack | £205.00 | £246.00 | £205.00 | £246.00 | £205.00 | £246.00 |
| External temperature display Included with air-conditioning and satellite-navigation packs, and multi-function steering wheel | £100.00 | £120.00 | – | – | – | – |

Add Ons

Accessories to help keep your vehicle 100% Volkswagen

If you want even more choice for comfort and convenience in your Crafter's cab, ask your Van Centre for an Add Ons brochure, call 0800 717131 or download a copy at www.volkswagen-vans.co.uk

– not available S standard O available as a no-cost option

Options: Heating and ventilation

Keep you and your passengers cool and refreshed with one of our air-conditioning options

| | Panel van | | Chassis/double cab | | Window van | |
|---|----------------|---------------------|--------------------|---------------------|----------------|---------------------|
| | Basic (ex VAT) | Total RRP (inc VAT) | Basic (ex VAT) | Total RRP (inc VAT) | Basic (ex VAT) | Total RRP (inc VAT) |
| Air-conditioning | | | | | | |
| Climatic air-conditioning Includes external temperature display | £1,065.00 | £1,278.00 | £1,065.00 | £1,278.00 | £1,065.00 | £1,278.00 |



Get an air-con recharge

You may be able to get your air-conditioning system recharged and pollen filter replaced at your nearest Van Centre to keep them working as they should. Ask your Van Centre for details.

Options: Seating, trim and upholstery




Improve the comfort and practicality of your Crafter with alternative seat options and a selection of upholstery finishes

| | Panel van | | Chassis/double cab | | Window van | |
|---|----------------|---------------------|--------------------|---------------------|----------------|---------------------|
| | Basic (ex VAT) | Total RRP (inc VAT) | Basic (ex VAT) | Total RRP (inc VAT) | Basic (ex VAT) | Total RRP (inc VAT) |
| Seat options | | | | | | |
| Driver's seat with lumbar support <small>Not available on BlueMotion models</small> | £70.00 | £84.00 | £70.00 | £84.00 | £70.00 | £84.00 |
| Driver's seat with suspension and lumbar support | £215.00 | £258.00 | £215.00 | £258.00 | £215.00 | £258.00 |
| Single front passenger's seat with suspension and lumbar support | £170.00 | £204.00 | £170.00 | £204.00 | £170.00 | £204.00 |
| Heated driver's seat | £110.00 | £132.00 | £110.00 | £132.00 | £110.00 | £132.00 |
| Heated driver's and dual front passengers' seats | £265.00 | £318.00 | £265.00 | £318.00 | £265.00 | £318.00 |



Pick the right upholstery

Fabric upholstery is terrifically hard-wearing, while leatherette upholstery is great for cleaning quickly and easily.

| | | Panel van | | Chassis/double cab | | Window van | |
|---|---|----------------|---------------------|--------------------|---------------------|----------------|---------------------|
| | | Basic (ex VAT) | Total RRP (inc VAT) | Basic (ex VAT) | Total RRP (inc VAT) | Basic (ex VAT) | Total RRP (inc VAT) |
| Upholstery | | | | | | | |
| Timo fabric upholstery |  | £80.00 | £96.00 | £80.00 | £96.00 | £80.00 | £96.00 |
| Leatherette fabric upholstery |  | £40.00 | £48.00 | £40.00 | £48.00 | £40.00 | £48.00 |
| Robust upholstery <small>Not available for double cab model</small> |  | £110.00 | £132.00 | £110.00 | £132.00 | - | - |
| Passenger-carrier seat packs | | | | | | | |
| Two-seater bench | | - | - | - | - | £385.00 | £462.00 |
| Two-seater bench (third row) | | - | - | - | - | £385.00 | £462.00 |
| Three-seater bench (fourth row) | | - | - | - | - | £585.00 | £702.00 |



If you want even more seating, trim and upholstery choices, check out our Add Ons accessories range, which includes leather seats and waterproof seat covers. Ask your Van Centre for a brochure, call 0800 717131 or download a copy at www.volkswagen-vans.co.uk

Options: Safety and security

Parking sensors, reversing cameras and additional airbags can help enhance the safety of you, your van and its contents

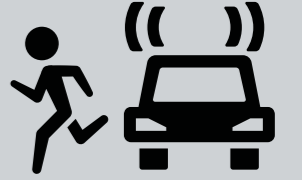
| | Panel van | | Chassis/double cab | | Window van | |
|---|----------------|---------------------|--------------------|---------------------|----------------|---------------------|
| | Basic (ex VAT) | Total RRP (inc VAT) | Basic (ex VAT) | Total RRP (inc VAT) | Basic (ex VAT) | Total RRP (inc VAT) |
| Airbags | | | | | | |
| Driver and single front passenger airbag | £230.00 | £276.00 | £230.00 | £276.00 | £230.00 | £276.00 |
| Side and front curtain airbags for driver and single front passenger Only with driver and single passenger seat with lumbar support and inner armrest, or with driver and single passenger seat with suspension, lumbar support and inner armrest | £600.00 | £720.00 | £600.00 | £720.00 | £600.00 | £720.00 |
| Side airbag, driver's side only Not compatible with front passenger airbags or front passenger airbag with side and front curtain airbags | £115.00 | £138.00 | £115.00 | £138.00 | £115.00 | £138.00 |
| Lights | | | | | | |
| Front fog lights | £120.00 | £144.00 | £120.00 | £144.00 | £120.00 | £144.00 |
| Daytime running lights Permanently switched on during driving | £55.00 | £66.00 | £55.00 | £66.00 | £55.00 | £66.00 |
| Engine and transmission | | | | | | |
| Speed limiter Available for 90km/h. Standard for CR50. | £40.00 | £48.00 | £40.00 | £48.00 | £40.00 | £48.00 |
| Start/stop Standard with BlueMotion Technology. Not compatible with Hill Hold Control parking brake | £320.00 | £384.00 | £320.00 | £384.00 | £320.00 | £384.00 |



Start/stop

Start/stop is a great way to save fuel. This clever system stops your engine when you come to a halt and starts it again when you're ready to move off. To operate it, all you do is put your van in neutral and release the clutch when you stop. When you're ready to go, just depress the clutch and the engine starts again.

| | Panel van | | Chassis/double cab | | Window van | |
|--|----------------|---------------------|--------------------|---------------------|----------------|---------------------|
| | Basic (ex VAT) | Total RRP (inc VAT) | Basic (ex VAT) | Total RRP (inc VAT) | Basic (ex VAT) | Total RRP (inc VAT) |
| Parking aids | | | | | | |
| Parking sensors (front and rear) Requires electric mirrors. Not compatible with full-width rear step | £320.00 | £384.00 | – | – | £320.00 | £384.00 |
| Reversing camera Includes 7" monitor on dashboard. Not with parking sensors | £855.00 | £1,026.00 | – | – | £855.00 | £1,026.00 |
| Reversing camera and parking sensors (front and rear) Includes 7" monitor on dashboard. Requires electric mirrors. Not with full-width rear step | £1,175.00 | £1,410.00 | – | – | £1,175.00 | £1,410.00 |
| Two wheel chocks Prevents the vehicle from rolling away on inclines or when changing a wheel (one chock is stored at the back of the load compartment, the other is supplied separately) | £30.00 | £36.00 | £30.00 | £36.00 | – | – |
| Spare keys | | | | | | |
| Two additional keys | £60.00 | £72.00 | £60.00 | £72.00 | £60.00 | £72.00 |
| Tyre-pressure warning light | | | | | | |
| Tyre-pressure warning light CR35 models only | £300.00 | £360.00 | £300.00 | £360.00 | £300.00 | £360.00 |



Useful security tips

- 1. Get an alarm**
Alarm noise may be enough to scare a thief and prevent a costly break-in.
- 2. Lock your doors**
Even if you're only away from your van for a minute, locked doors deter thieves looking for an easy target.
- 3. Keep it tidy**
Seemingly trivial items can still be bait to thieves. Stow gadgets out of sight or take them with you. Thieves know to look in the glove box, too.
- 4. Load out of sight**
Try and load your van in a secure location. Thieves can linger in public areas for an easy swipe-and-run.
- 5. Park for visibility**
Use well-lit areas. Avoid parking near vehicles or foliage that a thief could use for cover. Parking right up against walls can stop a thief getting in through your van's doors, too.

Options: Electrical

Choose these electrical features to give your Crafter a functional and practical edge

| | Panel van | | Chassis/double cab | | Window van | |
|---|----------------|---------------------|--------------------|---------------------|----------------|---------------------|
| | Basic (ex VAT) | Total RRP (inc VAT) | Basic (ex VAT) | Total RRP (inc VAT) | Basic (ex VAT) | Total RRP (inc VAT) |
| Up-rated alternator 180A alternator. Included with air-conditioning. Not with up-rated battery or heated windscreen | £135.00 | £162.00 | - | - | - | - |
| Up-rated battery 110Ah battery. Not with CR50 models, up-rated alternator, heated windscreen or digital tachograph | £35.00 | £42.00 | - | - | - | - |
| Up-rated battery/alternator 180Ah battery and 110A alternator. Not with CR50 models, up-rated alternator, heated windscreen or digital tachograph | £160.00 | £192.00 | - | - | - | - |
| Battery Main battery switch | £15.00 | £18.00 | £15.00 | £18.00 | £15.00 | £18.00 |
| Digital tachograph With speed and auxiliary recorder. Standard on CR50 models. Not with up-rated battery or up-rated alternator/battery | £450.00 | £540.00 | £450.00 | £540.00 | £450.00 | £540.00 |
| Working lights in load compartment Standard interior lighting is supplemented by two working lights, which give better illumination of the load/passenger compartment | £175.00 | £210.00 | - | - | - | - |



Choose your electrics

Some factory-fit options, such as heaters or air-conditioning, require an up-rated battery or alternator to work. Your Van Centre can advise you on the best solution for you.

Want more? Pick an Add On..

The Crafter comes with a wide range of factory-fit options, but you may want something extra. That's where Add Ons come in

Add Ons is the new name for our extensive range of Volkswagen-approved accessories, available to buy and be fitted at your Van Centre. Whether you want to add extra style to your van, get more out of your cargo bay, convert a work van into a weekend leisure vehicle or add extra audio, phone and sat-nav to your cab, we've got lots of accessories for you.

Help keep it 100% Volkswagen

There are big advantages to purchasing your accessories from Volkswagen. Add Ons have all been designed with Volkswagen in mind, so they're a perfect match for fit and style, and they've been designed and developed to be just as rugged, reliable and long-lasting as your vehicle.

Keep your Add Ons covered

Most Add Ons include a two-year warranty. However, if you order and fit them at the time of purchasing a new van, we may be able to extend that to three years to match your vehicle's warranty. Pop into your Van Centre and ask our staff about how much Add Ons can add to your life.



To get a brochure, pop into a Van Centre. To find your nearest one, call 0800 717131 or visit www.volkswagen-vans.co.uk

Top five Crafter Add Ons



1 Rear step

This provides convenient access to the rear of your van, allowing you to step in and out of the load area easily.



2

Kenwood DAB and Bluetooth sat-nav

This new multimedia system for the Crafter features DAB radio, a DVD player, Bluetooth connectivity and iPhone/iPod integration.



3

Waterproof seat covers

Protects your driver and front-passenger seats from wet and dirt.



4

Pure in-vehicle digital radio

Enjoy more channels and improved reception quality with this professionally installed digital radio upgrade.



5

Tow step

This step has an integrated towbar and comes in a high-visibility yellow finish. The towball is sold separately. Maximum towball load 150kg.

Data

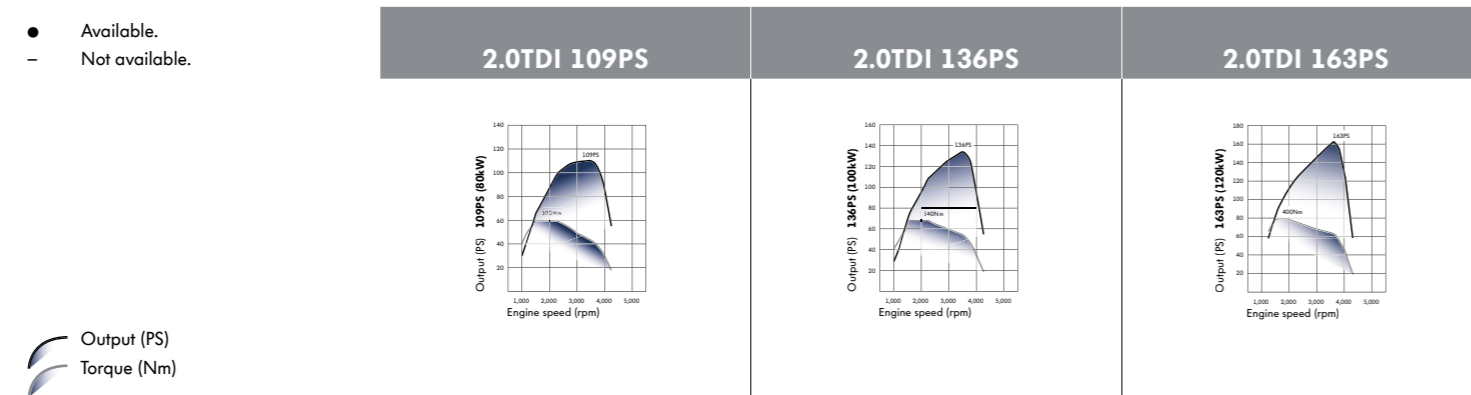
All the facts and figures you'll need for your vehicle

Crafter (all models): Engines

| | 2.0TDI 109PS | 2.0TDI 136PS | 2.0TDI 163PS |
|--------------------------------------|--|--------------------|--------------|
| Engine specifications | | | |
| Engine type | Diesel, transverse, water-cooled, in-line, variable-turbine geometry turbocharger with intercooler | | |
| Mixture preparation/injection method | Common-rail, direct-injection | | |
| EU exhaust emission standard | EURO 5 | | |
| No. of cylinders | 4 | | |
| Cubic capacity | 1,968cc | | |
| Output, PS at rpm | 109 at 3,500 | 136 at 3,500 | 163 at 3,600 |
| Torque, max. Nm/rpm | 300 at 1,500-2,250 | 340 at 1,575-2,250 | 400 at 1,800 |
| Diesel Particulate Filter (DPF) | • | • | • |
| 6-speed manual gearbox | • | • | • |
| Rear-wheel drive | • | • | • |

| Electrics | |
|---------------------------|---|
| Alternator (all variants) | 110A, 140A or 180A depending on optional equipment |
| Battery (all variants) | 72Ah, 95Ah or 100Ah depending on optional equipment |

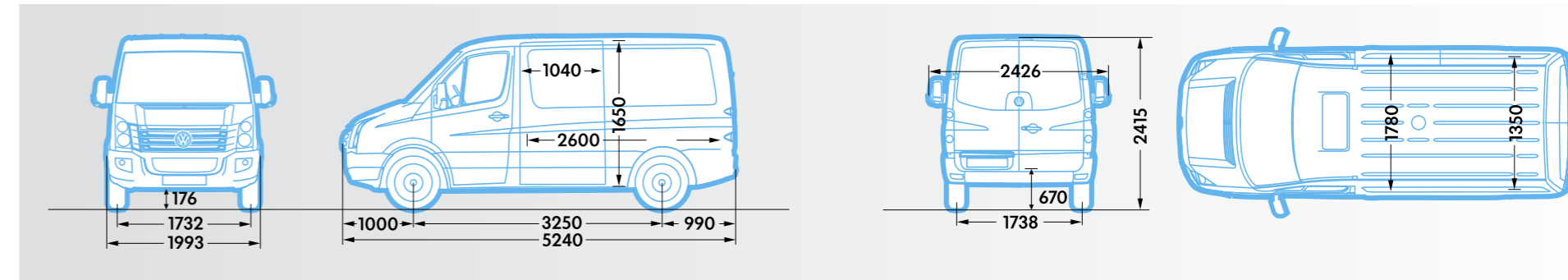
- Available.
- Not available.



Crafter panel van: Dimensions and weights



Short wheelbase



The height measurements listed here may vary by ± 50mm depending on equipment fitted. Please note vehicle drawings are not to scale

| Dimensions | Normal |
|--------------------------------------|-------------------|
| Wheelbase | 3,250 |
| Load compartment | |
| Length | 2,600 |
| Width | 1,780 |
| Width between wheel housings | 1,350 |
| Height | 1,650 |
| Volume | 7.5m ³ |
| Sliding side door | |
| Width | 1,040 |
| Height | 1,520 |
| Rear doors | |
| Width | 1,565 |
| Height | 1,540 |
| Turning circle (wall to wall) | 12.3m |

Dimensions in mm unless otherwise indicated.

| Model / gross vehicle weight (kg) | Engine/transmission | Axle load limit front/rear (kg) | Trailer weight braked 12%/unbraked (kg) | Gross train weight (kg) | Unladen weight† (kg) | Payload† (kg) |
|---|-------------------------------|---------------------------------|---|-------------------------|----------------------|---------------|
| Short-wheelbase panel van with normal roof | | | | | | |
| CR30 | 3,000 2.0TDI 109PS | 1,650 / 1,800 | 2,000 / 750 | 5,000 | 2,047 | 953 |
| | 3,000 2.0TDI 109PS BlueMotion | 1,650 / 1,800 | 2,000 / 750 | 5,000 | 2,035 | 965 |
| | 3,000 2.0TDI 136PS | 1,650 / 1,801 | 2,000 / 750 | 5,000 | 2,047 | 953 |
| | 3,000 2.0TDI 136PS BlueMotion | 1,650 / 1,800 | 2,000 / 750 | 5,000 | 2,035 | 965 |
| CR35 | 3,500 2.0TDI 109PS | 1,650 / 2,250 | 2,000 / 750 | 5,500 | 2,072 | 1,428 |

Roof load limit: 300kg (low roof), 150kg (high roof). Trailer nose weight: 100kg.

† Unladen weight and payload includes approximately 90% fuel load and 75kg for driver. Payload = gross vehicle weight – unladen weight.

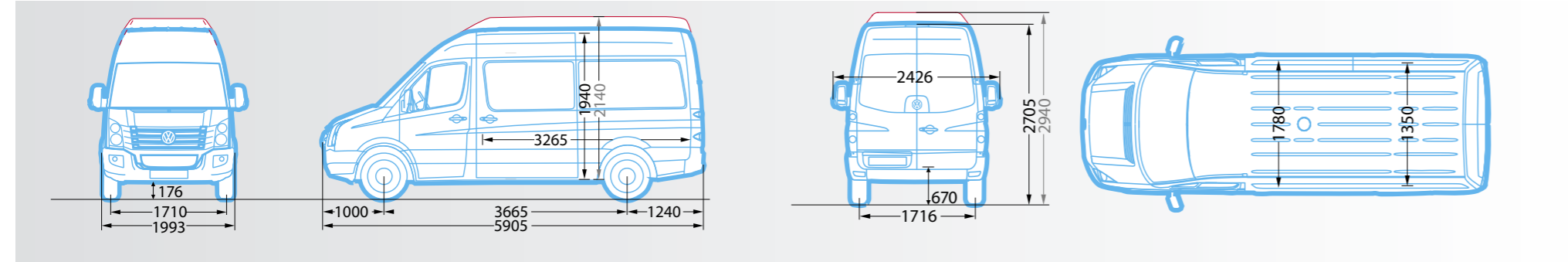
Weights are for vehicles with standard specification.

The addition of factory options or accessories fitted by your Volkswagen Van Centre may affect unladen weight and payload.

Crafter panel van: Dimensions and weights



Medium wheelbase



The height measurements listed here may vary by ± 50mm depending on equipment fitted. Please note vehicle drawings are not to scale

| Dimensions | High | Ex High |
|--------------------------------------|--------------------|--------------------|
| Wheelbase | 3,665 | 3,665 |
| Load compartment | | |
| Length | 3,265 | 3,265 |
| Width | 1,780 | 1,780 |
| Width between wheel housings | 1,350 | 1,350 |
| Height | 1,940 | 2,140 |
| Volume | 10.5m ³ | 11.5m ³ |
| Sliding side door | | |
| Width | 1,300 | 1,300 |
| Height | 1,820 | 1,820 |
| Rear doors | | |
| Width | 1,565 | 1,565 |
| Height | 1,840 | 1,840 |
| Turning circle (wall to wall) | 13.6m | 13.6m |

□ Indicates optional roof height.

Dimensions in mm unless otherwise indicated.

| Model / gross vehicle weight (kg) | Engine/transmission | Axle load limit front/rear (kg) | Trailer weight braked 12%/unbraked (kg) | Gross train weight (kg) | Unladen weight† (kg) | Payload‡ (kg) |
|--|--|---------------------------------|---|-------------------------|----------------------|---------------|
| Medium-wheelbase panel van with high or extra-high roof | | | | | | |
| CR35 | 3,500 2.0TDI 109PS | 1,650 / 2,250 | 2,000 / 750 | 5,500 | 2,170 | 1,330 |
| | 3,500 2.0TDI 109PS BlueMotion Technology | 1,650 / 2,250 | 2,000 / 750 | 5,500 | 2,177 | 1,323 |
| | 3,500 2.0TDI 136PS | 1,650 / 2,250 | 2,000 / 750 | 5,500 | 2,170 | 1,330 |
| | 3,500 2.0TDI 163PS | 1,650 / 2,250 | 2,000 / 750 | 5,500 | 2,188 | 1,312 |
| | 3,500 2.0TDI 163PS BlueMotion Technology | 1,650 / 2,250 | 2,000 / 750 | 5,500 | 2,195 | 1,305 |
| CR35+ | 3,500 2.0TDI 109PS | 1,650 / 2,250 | 2,000 / 750 | 5,500 | 2,180 | 1,320 |
| CR39 | 3,900 2.0TDI 109PS | 1,650 / 2,250 | 2,000 / 750 | 5,500 | 2,179 | 1,721 |
| CR50 | 5,000 2.0TDI 109PS | 1,850 / 3,500 | 2,000 / 750 | 7,000 | 2,396 | 2,604 |
| | 5,000 2.0TDI 163PS | 1,850 / 3,500 | 2,000 / 750 | 7,000 | 2,414 | 2,586 |
| CR50+ | 5,000 2.0TDI 163PS | 2,000 / 3,500 | 2,000 / 750 | 7,000 | 2,435 | 2,565 |

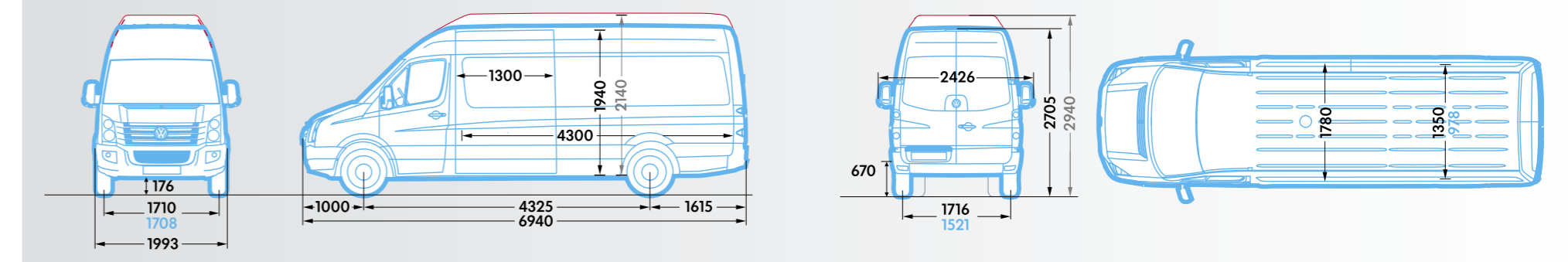
Roof load limit: 300kg (low roof). 150kg (high roof). Trailer nose weight: 100kg.

† Unladen weight and payload includes approximately 90% fuel load and 75kg for driver. Payload = gross vehicle weight – unladen weight.

Weights are for vehicles with standard specification. The addition of factory options or Volkswagen Van Centre fitted accessories may affect unladen weight and payload.

Please note: For CR35 and CR50 models with an appropriate combination of engine, rear-axle and towbar options, it is possible to obtain a braked towing capacity of up to 3,500kg and an increase in gross train weight. Please consult your nearest Van Centre for details, including available axle ratio options to suit vehicle requirements. For aftermarket towing above the standard 2,000kg in the UK, the plate displaying the vehicle's gross train weight plating must be updated.

Long wheelbase



The height measurements listed here may vary by ± 50mm depending on equipment fitted. Please note vehicle drawings are not to scale

| Dimensions | High | Ex High |
|--------------------------------------|------------------|--------------------|
| Wheelbase | 4,325 | 4,325 |
| Load compartment | | |
| Length | 4,300 | 4,300 |
| Width | 1,780 | 1,780 |
| Width between wheel housings | 1,350 | 1,350 |
| Height | 1,940 | 2,140 |
| Volume | 14m ³ | 15.5m ³ |
| Sliding side door | | |
| Width | 1,300 | 1,300 |
| Height | 1,820 | 1,820 |
| Rear doors | | |
| Width | 1,565 | 1,565 |
| Height | 1,840 | 1,840 |
| Turning circle (wall to wall) | 15.6m | 15.6m |

□ Indicates optional roof height.

Dimensions in mm unless otherwise indicated.

| Model / gross vehicle weight (kg) | Engine/transmission | Axle load limit front/rear (kg) | Trailer weight braked 12%/unbraked (kg) | Gross train weight (kg) | Unladen weight† (kg) | Payload‡ (kg) |
|--|--|---------------------------------|---|-------------------------|----------------------|---------------|
| Long-wheelbase panel van with high or extra-high roof | | | | | | |
| CR35 | 3,500 2.0TDI 109PS | 1,650 / 2,250 | 2,000 / 750 | 5,500 | 2,344 | 1,156 |
| | 3,500 2.0TDI 109PS BlueMotion Technology | 1,650 / 2,250 | 2,000 / 750 | 5,500 | 2,351 | 1,149 |
| | 3,500 2.0TDI 136PS | 1,650 / 2,250 | 2,000 / 750 | 5,500 | 2,344 | 1,156 |
| | 3,500 2.0TDI 163PS | 1,650 / 2,250 | 2,000 / 750 | 5,500 | 2,362 | 1,138 |
| | 3,500 2.0TDI 163PS BlueMotion Technology | 1,650 / 2,250 | 2,000 / 750 | 5,500 | 2,369 | 1,131 |
| CR39 | 3,900 2.0TDI 109PS | 1,650 / 2,250 | 2,000 / 750 | 5,500 | 2,382 | 1,518 |
| CR50 | 5,000 2.0TDI 109PS | 1,850 / 3,500 | 2,000 / 750 | 7,000 | 2,581 | 2,419 |
| | 5,000 2.0TDI 163PS | 1,850 / 3,500 | 2,000 / 750 | 7,000 | 2,599 | 2,401 |
| CR50+ | 5,000 2.0TDI 163PS | 2,000 / 3,500 | 2,000 / 750 | 7,000 | 2,620 | 2,380 |

Roof load limit: 300kg (low roof). 150kg (high roof). Trailer nose weight: 100kg.

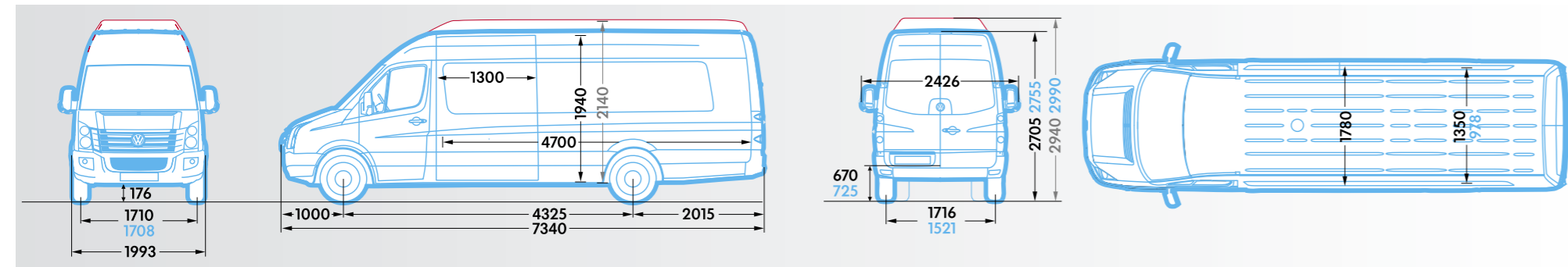
† Unladen weight and payload includes approximately 90% fuel load and 75kg for driver. Payload = gross vehicle weight – unladen weight.

Weights are for vehicles with standard specification. The addition of factory options or accessories fitted by your Volkswagen Van Centre may affect unladen weight and payload.

Please note: For CR35 and CR50 models with an appropriate combination of engine, rear-axle and towbar options, it is possible to obtain a braked towing capacity of up to 3,500kg and an increase in gross train weight. Please consult your nearest Van Centre for details, including available axle ratio options to suit vehicle requirements. For aftermarket towing above the standard 2,000kg in the UK, the plate displaying the vehicle's gross train weight plating must be updated.

Crafter panel van: Dimensions and weights (cont.)

Long wheelbase maxi



The height measurements listed here may vary by ± 50mm depending on equipment fitted. Please note vehicle drawings are not to scale

| Dimensions | High | Ex High |
|--------------------------------------|--------------------|------------------|
| Wheelbase | 4,325 | 4,325 |
| Load compartment | | |
| Length | 4,700 | 4,700 |
| Width | 1,780 | 1,780 |
| Width between wheel housings | 1,350 | 1,350 |
| Height | 1,940 | 2,140 |
| Volume | 15.5m ³ | 17m ³ |
| Sliding side door | | |
| Width | 1,300 | 1,300 |
| Height | 1,820 | 1,820 |
| Rear doors | | |
| Width | 1,565 | 1,565 |
| Height | 1,840 | 1,840 |
| Turning circle (wall to wall) | 15.6m | 15.6m |

□ Indicates optional roof height.

Dimensions in mm unless otherwise indicated.

| Model / gross vehicle weight (kg) | Engine/transmission | Axle load limit front/rear (kg) | Trailer weight braked 12%/unbraked (kg) | Gross train weight (kg) | Unladen weight† (kg) | Payload‡ (kg) |
|---|---------------------|---------------------------------|---|-------------------------|----------------------|---------------|
| Long-wheelbase Maxi panel van with high or extra-high roof | | | | | | |
| CR35 | 3,500 2.0TDI 109PS | 1,650 / 2,250 | 2,000 / 750 | 5,500 | 2,381 | 1,119 |
| | 3,500 2.0TDI 136PS | 1,650 / 2,250 | 2,000 / 750 | 5,500 | 2,381 | 1,119 |
| | 3,500 2.0TDI 163PS | 1,650 / 2,250 | 2,000 / 750 | 5,500 | 2,399 | 1,101 |
| CR50 | 5,000 2.0TDI 109PS | 1,850 / 3,500 | 2,000 / 750 | 7,000 | 2,618 | 2,382 |
| | 5,000 2.0TDI 163PS | 1,850 / 3,500 | 2,000 / 750 | 7,000 | 2,636 | 2,364 |

Roof load limit: 300kg (low roof). 150kg (high roof). Trailer nose weight: 100kg.

† Unladen weight and payload includes approximately 90% fuel load and 75kg for driver. Payload = gross vehicle weight – unladen weight.

Maxi = extended rear overhang.

Weights are for vehicles with standard specification. The addition of factory options or accessories fitted by your Volkswagen Van Centre may affect unladen weight and payload.

Please note: For CR35 and CR50 models with an appropriate combination of engine, rear-axle and towbar options, it is possible to obtain a braked towing capacity of up to 3,500kg and an increase in gross train weight. Please consult your nearest Van Centre for details, including available axle ratio options to suit vehicle requirements. For aftermarket towing above the standard 2,000kg in the UK, the plate displaying the vehicle's gross train weight plating must be updated.

Crafter panel van: Economy and performance



| Model/engine/transmission | Urban mpg (l/100km) ¹ | Extra-urban mpg (l/100km) ¹ | Combined mpg (l/100km) ¹ | Top speed mph (where law permits) | CO ₂ emissions (g/km) ¹ |
|---|----------------------------------|--|-------------------------------------|-----------------------------------|---|
| CR30 short-wheelbase panel van with normal roof | | | | | |
| 2.0TDI 109PS | 26.6 (10.6) | 35.8 (7.9) | 31.7 (8.9) | 91 | 234 |
| 2.0TDI 109PS BlueMotion | 35.3 (8.0) | 42.8 (6.6) | 39.8 (7.1) | 93 | 187 |
| 2.0TDI 136PS | 26.6 (10.7) | 35.8 (7.9) | 31.7 (8.9) | 96 | 234 |
| 2.0TDI 136PS BlueMotion | 35.3 (8.0) | 42.8 (6.6) | 39.8 (7.1) | 97 | 187 |
| CR35 short-wheelbase panel van with normal roof | | | | | |
| 2.0TDI 109PS | 26.6 (10.6) | 35.8 (7.9) | 31.7 (8.9) | 91 | 234 |
| CR35 medium-wheelbase, long-wheelbase and long-wheelbase Maxi panel van with high roof | | | | | |
| 2.0TDI 109PS | 26.6 (10.6) | 35.8 (7.9) | 31.7 (8.9) | 91 | 234 |
| 2.0TDI 109PS BlueMotion Technology | 31.7 (8.9) | 35.8 (7.9) | 34.0 (8.3) | 93 | 218 |
| 2.0TDI 136PS | 26.6 (10.7) | 35.8 (7.9) | 31.7 (8.9) | 96 | 234 |
| 2.0TDI 163PS | 31.4 (9.0) | 36.7 (7.7) | 34.4 (8.2) | 99 | 216 |
| 2.0TDI 163PS BlueMotion Technology | 33.2 (8.5) | 37.7 (7.5) | 35.8 (7.9) | 99 | 208 |
| CR35+ medium-wheelbase panel van with high roof | | | | | |
| 2.0TDI 109PS | 28.0 (10.1) | 36.2 (7.8) | 32.8 (8.6) | 91 | 226 |
| CR39 medium-wheelbase panel van with high roof | | | | | |
| 2.0TDI 109PS | 32.8 (8.6) | 36.7 (7.7) | 35.3 (8.0) | 91 | 218 |
| CR50 medium-wheelbase panel van with high roof | | | | | |
| 2.0TDI 109PS | – | – | – | 83 | – |
| 2.0TDI 163PS | – | – | – | 94 | – |
| CR50+ medium-wheelbase panel van with high roof | | | | | |
| 2.0TDI 163PS | – | – | – | 90 | – |
| CR39 long-wheelbase panel van with high roof | | | | | |
| 2.0TDI 109PS | 28.0 (10.1) | 36.2 (7.8) | 32.8 (8.6) | 91 | 226 |
| CR50 long-wheelbase panel van with high roof | | | | | |
| 2.0TDI 109PS | – | – | – | 83 | – |
| 2.0TDI 163PS | – | – | – | 94 | – |
| CR50+ long-wheelbase panel van with high roof | | | | | |
| 2.0TDI 163PS | – | – | – | 90 | – |
| CR50 long-wheelbase Maxi panel van with high roof | | | | | |
| 2.0TDI 109PS | – | – | – | 83 | – |
| 2.0TDI 163PS | – | – | – | 90 | – |

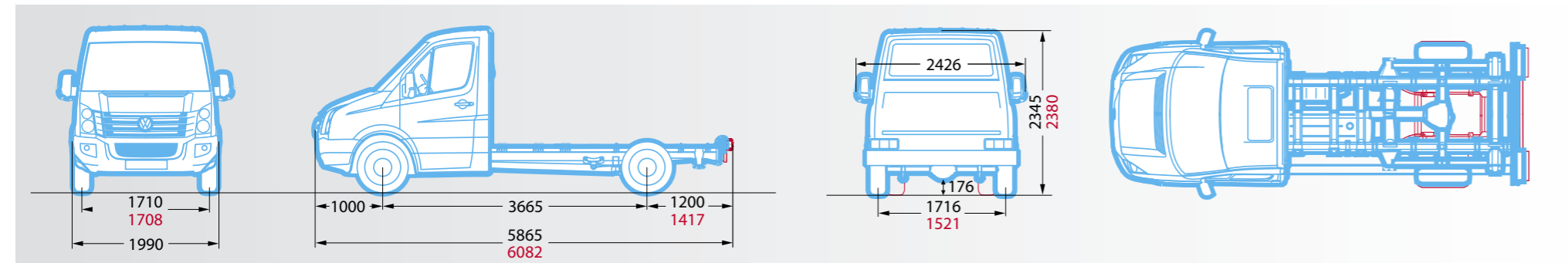
¹ With 50% payload. The fuel consumption and emission test values shown are in full compliance of the fuel consumption directive 80/1268/EWG

The figures listed apply to vehicles with manual gearbox, without optional extras. Figures above show vehicles fitted with standard axle ratio. Figures in square brackets show top speed for vehicles without speed limiter.

Crafter chassis and double cab: Dimensions and weights



Medium wheelbase



The height measurements listed here may vary by ± 50mm depending on equipment fitted. Please note vehicle drawings are not to scale

| Dimensions | |
|--|-------|
| Wheelbase | 3,665 |
| Recommended external constructional length | |
| CR35 | 3,670 |
| CR50 | 3,845 |
| Turning circle (wall to wall) | 13.5 |

Dimensions in mm unless otherwise indicated.

| Model / gross vehicle weight (kg) | Engine/transmission | Axle load limit front/rear (kg) | Trailer weight braked 12%/unbraked (kg) | Gross train weight (kg) | Unladen weight† (kg) | Payload‡ (kg) |
|-----------------------------------|---------------------|---------------------------------|---|-------------------------|----------------------|---------------|
| CR35 3,500 | 2.0TDI 109PS | 1,650 / 2,250 | 2,000 / 750 | 5,500 | 1,794 | 1,706 |
| | 3,500 2.0TDI 136PS | 1,650 / 2,250 | 2,000 / 750 | 5,500 | 1,794 | 1,706 |
| | 3,500 2.0TDI 163PS | 1,650 / 2,250 | 2,000 / 750 | 5,500 | 1,812 | 1,688 |
| CR50 5,000 | 2.0TDI 109PS | 1,850 / 3,500 | 2,000 / 750 | 7,000 | 2,018 | 2,982 |
| | 5,000 2.0TDI 163PS | 1,850 / 3,500 | 2,000 / 750 | 7,000 | 2,036 | 2,964 |
| CR50+ 5,000 | 2.0TDI 163PS | 2,000 / 3,500 | 2,000 / 750 | 7,000 | 2,047 | 2,953 |

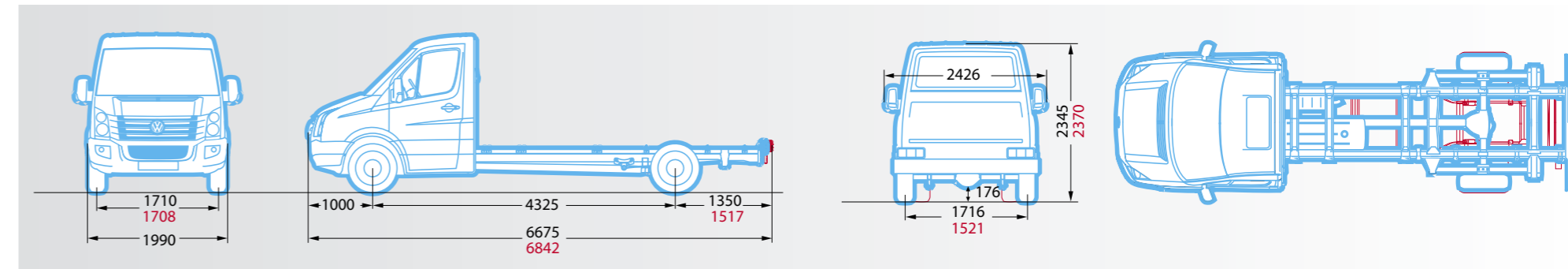
Roof load limit: 100kg. Trailer nose weight: 100kg.

† Unladen weight and payload includes approximately 90% fuel load and 75kg for driver. Payload = gross vehicle weight – unladen weight.

Weights are for vehicles with standard specification. The addition of factory options or accessories fitted by your Volkswagen Van Centre may affect unladen weight and payload.

Please note: For CR35 and CR50 models with an appropriate combination of engine, rear-axle and towbar options, it is possible to obtain a braked towing capacity of up to 3,500kg and an increase in gross train weight. Please consult your nearest Van Centre for details, including available axle ratio options to suit vehicle requirements. For aftermarket towing above the standard 2,000kg in the UK, the plate displaying the vehicle's gross train weight plating must be updated.

Long wheelbase



The height measurements listed here may vary by ± 50mm depending on equipment fitted. Please note vehicle drawings are not to scale

| Dimensions | |
|--|-------|
| Wheelbase | 4,325 |
| Recommended external constructional length | |
| CR35 | 4,425 |
| CR50 | 4,610 |
| Turning circle (wall to wall) | 15.6 |

Dimensions in mm unless otherwise indicated

| Model / gross vehicle weight (kg) | Engine/transmission | Axle load limit front/rear (kg) | Trailer weight braked 12%/unbraked (kg) | Gross train weight (kg) | Unladen weight† (kg) | Payload‡ (kg) |
|-----------------------------------|---------------------|---------------------------------|---|-------------------------|----------------------|---------------|
| CR35 3,500 | 2.0TDI 109PS | 1,650 / 2,250 | 2,000 / 750 | 5,500 | 1,816 | 1,684 |
| | 3,500 2.0TDI 136PS | 1,650 / 2,250 | 2,000 / 750 | 5,000 | 1,816 | 1,684 |
| | 3,500 2.0TDI 163PS | 1,650 / 2,250 | 2,000 / 750 | 5,500 | 1,847 | 1,653 |
| CR50 5,000 | 2.0TDI 109PS | 1,850 / 3,500 | 2,000 / 750 | 7,000 | 2,066 | 2,934 |
| | 5,000 2.0TDI 163PS | 1,850 / 3,500 | 2,000 / 750 | 7,000 | 2,096 | 2,904 |

Roof load limit: 100kg. Trailer nose weight: 100kg.

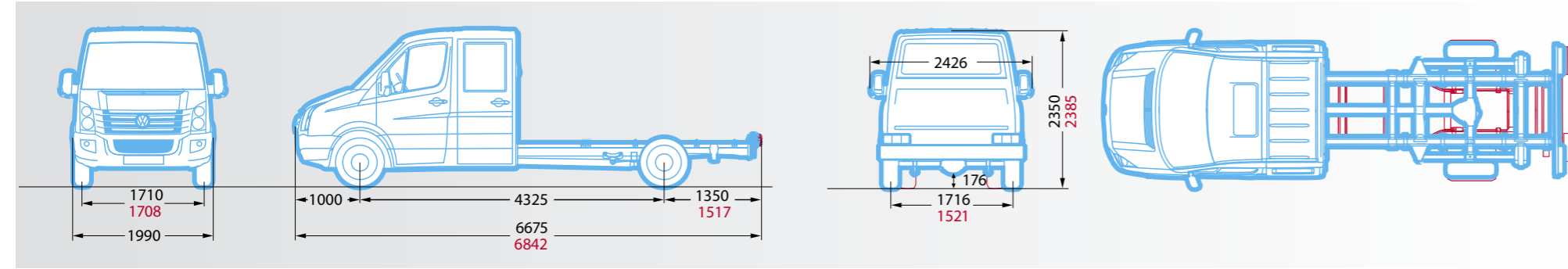
† Unladen weight and payload includes approximately 90% fuel load and 75kg for driver. Payload = gross vehicle weight – unladen weight.

Weights are for vehicles with standard specification. The addition of factory options or accessories fitted by your Volkswagen Van Centre may affect unladen weight and payload.

Please note: For CR35 and CR50 models with an appropriate combination of engine, rear-axle and towbar options, it is possible to obtain a braked towing capacity of up to 3,500kg and an increase in gross train weight. Please consult your nearest Van Centre for details, including available axle ratio options to suit vehicle requirements. For aftermarket towing above the standard 2,000kg in the UK, the plate displaying the vehicle's gross train weight plating must be updated.

Crafter chassis and double cab: **Dimensions and weights (cont.)**

Long wheelbase



The height measurements listed here may vary by ± 50mm depending on equipment fitted. Please note vehicle drawings are not to scale

| Dimensions | |
|--|-------|
| Wheelbase | 4,325 |
| Recommended external constructional length | |
| CR35 | 3,440 |
| CR50 | 3,610 |
| Turning circle (wall to wall) | 15.6 |

Dimensions in mm unless otherwise indicated.

| Model / gross vehicle weight (kg) | Engine/transmission | Axle load limit front/rear (kg) | Trailer weight braked 12%/unbraked (kg) | Gross train weight (kg) | Unladen weight† (kg) | Payload‡ (kg) |
|-----------------------------------|---------------------|---------------------------------|---|-------------------------|----------------------|---------------|
| CR35 3,500 | 2.0TDI 109PS | 1,800 / 2,250 | 2,000 / 750 | 5,500 | 2,032 | 1,468 |
| | 2.0TDI 136PS | 1,800 / 2,250 | 2,000 / 750 | 5,500 | 2,032 | 1,468 |
| CR50 5,000 | 2.0TDI 109PS | 1,850 / 3,500 | 2,000 / 750 | 7,000 | 2,268 | 2,732 |
| | 2.0TDI 163PS | 1,850 / 3,500 | 2,000 / 750 | 7,000 | 2,286 | 2,714 |

Roof load limit: 100kg. Trailer nose weight: 100kg.

† Unladen weight and payload includes approximately 90% fuel load and 75kg for driver. Payload = gross vehicle weight – unladen weight.

Weights are for vehicles with standard specification. The addition of factory options or accessories fitted by your Volkswagen Van Centre may affect unladen weight and payload.

Please note: For CR35 and CR50 models with an appropriate combination of engine, rear-axle and towbar options, it is possible to obtain a braked towing capacity of up to 3,500kg and an increase in gross train weight. Please consult your nearest Van Centre for details, including available axle ratio options to suit vehicle requirements. For aftermarket towing above the standard 2,000kg in the UK, the plate displaying the vehicle's gross train weight plating must be updated.

Crafter chassis and double cab: **Economy and performance**



| Engine/transmission | Urban mpg (l/100km) ¹ | Extra-urban mpg (l/100km) ¹ | Combined mpg (l/100km) ¹ | Top speed mph (where law permits) | CO ₂ emissions (g/km) |
|---|----------------------------------|--|-------------------------------------|-----------------------------------|----------------------------------|
| CR35 medium-wheelbase chassis cab | | | | | |
| 2.0TDI 109PS | 25.0 (11.3) | 34.0 (8.3) | 30.1 (9.4) | 84 | 247 |
| 2.0TDI 136PS | 26.9 (10.1) | 33.6 (8.4) | 31.0 (9.1) | 87 | 239 |
| 2.0TDI 163PS | 30.7 (9.2) | 35.8 (7.9) | 33.6 (8.4) | 94 | 221 |
| CR50 medium-wheelbase chassis cab | | | | | |
| 2.0TDI 109PS | – | – | – | 78 | – |
| 2.0TDI 163PS | – | – | – | 82 | – |
| CR50+ medium-wheelbase chassis cab | | | | | |
| 2.0TDI 163PS | – | – | – | 82 | – |
| CR35 long-wheelbase chassis cab | | | | | |
| 2.0TDI 109PS | 25.0 (11.3) | 34.0 (8.3) | 30.1 (9.4) | 84 | 247 |
| 2.0TDI 136PS | 26.9 (10.1) | 33.6 (8.4) | 31.0 (9.1) | 87 | 239 |
| 2.0TDI 163PS | 30.7 (9.2) | 35.8 (7.9) | 33.6 (8.4) | 94 | 221 |
| CR50 long-wheelbase chassis cab | | | | | |
| 2.0TDI 109PS | – | – | – | 78 | – |
| 2.0TDI 163PS | – | – | – | 82 | – |
| CR35 long-wheelbase double cab | | | | | |
| 2.0TDI 109PS | 25.0 (11.3) | 34.0 (8.3) | 30.1 (9.4) | 84 | 247 |
| 2.0TDI 136PS | 26.9 (10.1) | 33.6 (8.4) | 31.0 (9.1) | 87 | 239 |
| CR50 long-wheelbase double cab | | | | | |
| 2.0TDI 109PS | – | – | – | 78 | – |
| 2.0TDI 163PS | – | – | – | 82 | – |

¹ With 50% payload. The fuel consumption and emission test values shown are in full compliance of the fuel consumption directive 80/1268/EWG

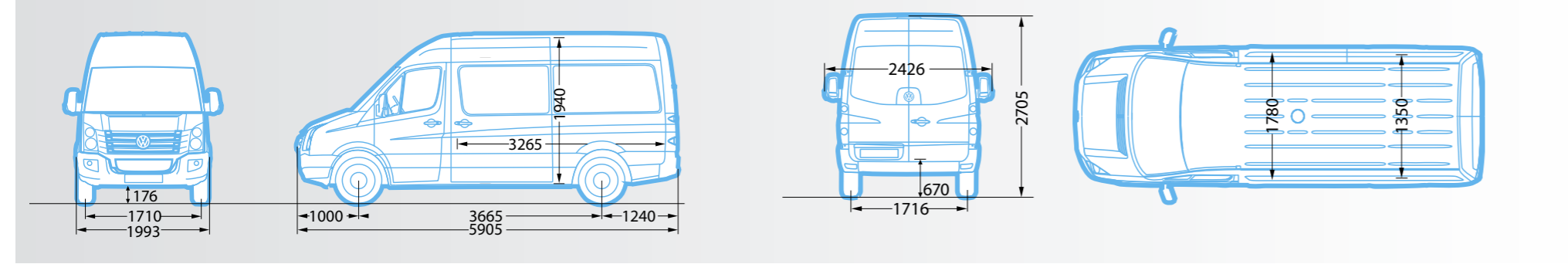
The figures listed apply to vehicles with manual gearbox, without optional extras

Figures in square brackets show top speed for vehicles without speed limiter

Crafter window van: Dimensions and weights



Medium wheelbase



The height measurements listed here may vary by ± 50mm depending on equipment fitted. Please note vehicle drawings are not to scale

| Dimensions | |
|--------------------------------------|--------------------|
| Wheelbase | 3,665 |
| Load compartment | |
| Length | 3,265 |
| Width | 1,780 |
| Width between wheel housings | 1,350 |
| Height | 1,940 |
| Volume | 10.5m ³ |
| Sliding side door | |
| Width | 1,300 |
| Height | 1,820 |
| Rear doors | |
| Width | 1,565 |
| Height | 1,840 |
| Turning circle (wall to wall) | 13.6m |

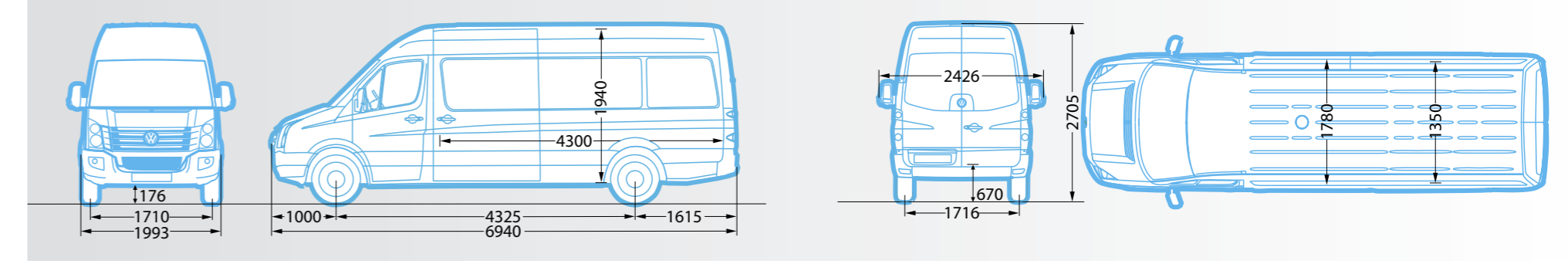
Dimensions in mm unless otherwise indicated.

| Model / gross vehicle weight (kg) | Engine/transmission | Axle load limit front/rear (kg) | Trailer weight braked 12%/unbraked (kg) | Gross train weight (kg) | Unladen weight† (kg) | Payload‡ (kg) |
|-----------------------------------|---------------------|---------------------------------|---|-------------------------|----------------------|---------------|
| CR35 3,500 | 2.0TDI 109PS | 1,650 / 2,250 | 2,000 / 750 | 5,500 | 2,361 | 1,139 |
| 3,500 | 2.0TDI 136PS | 1,650 / 2,250 | 2,000 / 750 | 5,500 | 2,361 | 1,139 |

Roof load limit (not medium or high roof): maximum 150kg (with four roof bars). Maximum 100kg (with two roof bars).
 Trailer nose weight: 100kg. Tailgate load limit (where fitted) is maximum 75kg. Vehicles with medium or high roof have no provision for four loads.
 † Unladen weight and payload includes approximately 90% fuel load and 75kg for driver. Payload = gross vehicle weight – unladen weight.
 Weights are for vehicles with standard specification. The addition of factory options or accessories fitted by your Volkswagen Van Centre may affect unladen weight and payload.

Please note: For CR35 and CR50 models with an appropriate combination of engine, rear-axle and towbar options, it is possible to obtain a braked towing capacity of up to 3,500kg and an increase in gross train weight. Please consult your nearest Van Centre for details, including available axle ratio options to suit vehicle requirements. For aftermarket towing above the standard 2,000kg in the UK, the plate displaying the vehicle's gross train weight plating must be updated.

Long wheelbase



The height measurements listed here may vary by ± 50mm depending on equipment fitted. Please note vehicle drawings are not to scale

| Dimensions | |
|--------------------------------------|------------------|
| Wheelbase | 4,325 |
| Load compartment | |
| Length | 4,300 |
| Width | 1,780 |
| Width between wheel housings | 1,350 |
| Height | 1,940 |
| Volume | 14m ³ |
| Sliding side door | |
| Width | 1,300 |
| Height | 1,820 |
| Rear doors | |
| Width | 1,565 |
| Height | 1,840 |
| Turning circle (wall to wall) | 15.6m |

Dimensions in mm unless otherwise indicated.

| Model / gross vehicle weight (kg) | Engine/transmission | Axle load limit front/rear (kg) | Trailer weight braked 12%/unbraked (kg) | Gross train weight (kg) | Unladen weight† (kg) | Payload‡ (kg) |
|-----------------------------------|---------------------|---------------------------------|---|-------------------------|----------------------|---------------|
| CR35 3,500 | 2.0TDI 109PS | 1,650 / 2,250 | 2,000 / 750 | 5,500 | 2,527 | 973 |
| 3,500 | 2.0TDI 136PS | 1,650 / 2,250 | 2,000 / 750 | 5,500 | 2,527 | 973 |

Roof load limit (not medium or high roof): maximum 150kg (with four roof bars). Maximum 100kg (with two roof bars).
 Trailer nose weight: 100kg. Tailgate load limit (where fitted) is maximum 75kg. Vehicles with medium or high roof have no provision for four loads.
 † Unladen weight and payload includes approximately 90% fuel load and 75kg for driver. Payload = gross vehicle weight – unladen weight.
 Weights are for vehicles with standard specification. The addition of factory options or accessories fitted by your Volkswagen Van Centre may affect unladen weight and payload.

Please note: For CR35 and CR50 models with an appropriate combination of engine, rear-axle and towbar options, it is possible to obtain a braked towing capacity of up to 3,500kg and an increase in gross train weight. Please consult your nearest Van Centre for details, including available axle ratio options to suit vehicle requirements. For aftermarket towing above the standard 2,000kg in the UK, the plate displaying the vehicle's gross train weight plating must be updated.

Crafter window van: **Economy and performance**

| Engine/transmission | Urban mpg (l/100km) ¹ | Extra-urban mpg (l/100km) ¹ | Combined mpg (l/100km) ¹ | Top speed mph (where law permits) | CO2 emissions (g/km) |
|--|-------------------------------------|---|--|--------------------------------------|-------------------------|
| CR35 medium-wheelbase window van with high roof | | | | | |
| 2.0TDI 109PS | 26.6 (10.6) | 35.8 (7.9) | 31.7 (8.9) | 91 | 234 |
| 2.0TDI 136PS | 26.6 (10.7) | 35.8 (7.9) | 31.7 (8.9) | 96 | 234 |
| CR35 long-wheelbase window van with high roof | | | | | |
| 2.0TDI 109PS | 26.6 (10.6) | 35.8 (7.9) | 31.7 (8.9) | 91 | 234 |
| 2.0TDI 136PS | 26.6 (10.7) | 35.8 (7.9) | 31.7 (8.9) | 96 | 234 |

¹ With 50% payload. The fuel consumption and emission test values shown are in full compliance of the fuel consumption directive 80/1268/EWG. The figures listed apply to vehicles with manual gearbox, without optional extras. Figures above show vehicles fitted with standard axle ratio. Figures in square brackets show top speed for vehicles without speed limiter.

Notes

Scribble any queries you have here so you don't forget them

Support

Keeping you – and your Crafter – on the road and working

Full support right from the start

We want to make sure that using your Crafter is as hassle-free and cost-efficient as possible, so every vehicle has a three-year warranty and a choice of finance, servicing and insurance options. It all helps to keep the big issues covered

A three-year warranty that lasts 100,000 miles

All Volkswagen Commercial Vehicles get a three-year, 100,000-mile warranty* – and so do any factory-fit options that you buy. The vehicle warranty is made up of:

- A two-year manufacturer's warranty with unlimited mileage
- A third-year Van Centre warranty, up to a maximum of 100,000 miles*

Even if you exceed 100,000 miles during your first two years, the manufacturer's two-year warranty will still be valid.

Want cover for longer?

You can extend your vehicle warranty online or by phone. You can choose Comprehensive or Major Component cover and either one-off or monthly payments. Call **0845 641 9712** or visit www.volkswagencvwarranty.co.uk.

3
year
warranty
✓

* Unlimited mileage for the Crafter in its third year

Van Centres – always there for you

Our dedicated Van Centre network is at the core of everything we do, with more than 100 Van Centres and Authorised Repairers throughout the UK.

Our Van Centre network offers a wide range of services, from MOTs to accessories, servicing and fully-fitted parts. Not only that, but we use Volkswagen quality parts and you get dedicated staff who understand your vans intimately. So pop in for a coffee and a chat, and find out what your Van Centre can do for you.

Service options designed to fit your business perfectly

It's only natural that you want to keep your vehicle running at its best. Getting it serviced at a Volkswagen Van Centre is a great way to ensure that's exactly what happens. However, when it comes to servicing, we know every business has different needs. That's why we've developed three different service options for you to choose from:

- Pay Monthly
- Pay Upfront
- Pay On-Demand

Whichever suits your business best, you can rest assured that when you book in your vehicle, it'll be looked at by Volkswagen-trained technicians and they'll use only Volkswagen quality parts. What's more, there's a two-year warranty on the parts and one on labour.

For more details visit www.volkswagen-vans.co.uk, or call **0800 717131** to learn more.

Volkswagen Insurance keeps you covered*

Volkswagen Commercial Vehicle Insurance can provide you with cost-effective, comprehensive motor insurance. Look at some of the benefits:

- Seven-day free cover to allow you to drive your vehicle away
- All repairs performed by approved repairers
- Volkswagen quality parts on all repairs
- Courtesy vehicle provided during repair following an accident
- Cover for breakage and damage to glass
- Tools-in-transit cover (up to £1,000)
- In-vehicle personal belongings cover (up to £500)
- Vehicle recovery
- 60-day European Union cover
- Legal expenses cover up to £100,000

We also offer a range of gap insurance products. These help you replace your vehicle or protect you from any financial shortfall if it is written off.

For more details visit www.insurewithvwcv.co.uk, call **0800 316 7896** or pop into your nearest Van Centres and ask for one of our Finance brochures.

* Terms and conditions apply

Flexible Finance that makes things affordable

We can also make buying a new van more affordable in the first place. Speak to us about our selection of finance options, which include:

- Contract hire
- Finance lease
- Lease purchase
- Hire purchase

For more details visit www.volkswagen-vans.co.uk/finance or pick up one of our Finance brochures at your nearest Van Centre.

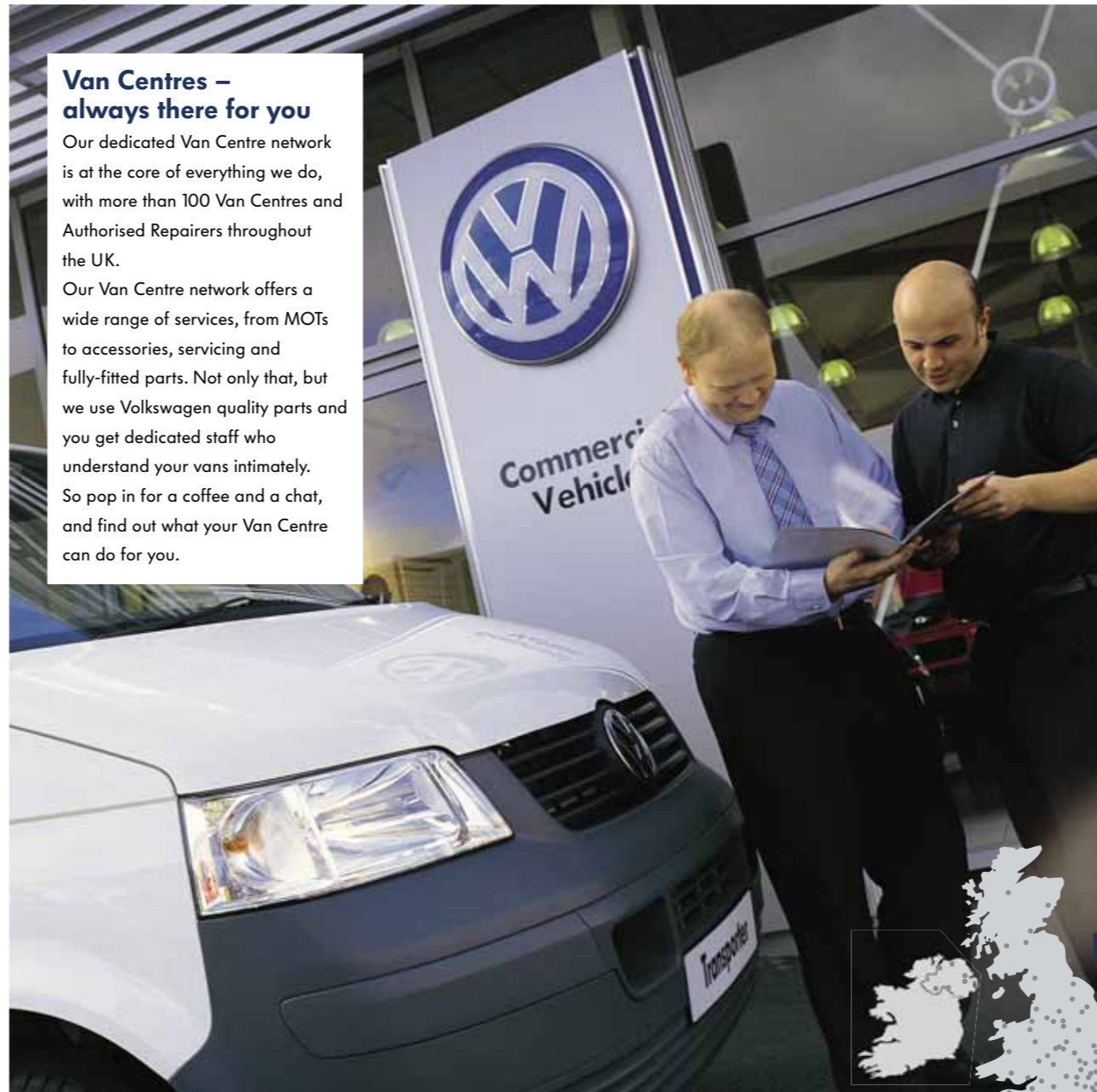
Three years' Roadside Assistance

Sometimes, the unexpected happens. If it does, your new Volkswagen comes with an unlimited-mileage recovery and assistance package. It lasts the same three years as your warranty and operates 24 hours a day, 365 days a year.

Cover is available across the UK and most of Europe. Our fully trained technicians can diagnose most problems at the roadside and they use Volkswagen quality parts.

Learn more

Visit your Van Centre to get a Volkswagen Roadside Assistance handbook, visit www.volkswagen-vans.co.uk/roadside or call **0800 77 71 72**



Turn the page to learn more about our Van Centre network

7 ways your Van Centre can help you

Make full use of your nearest Van Centre – it's full of Volkswagen experts who know your vehicle better than anyone and who can help you to get the best out of it

1. Picking a van that's perfect for your needs

We know that choosing your next van or passenger carrier is a big decision. You want a vehicle that works as hard as you do, both now and for the long-term – one that's versatile, cost-effective and reliable. We're here to help make your choice easier.

Our Van Centre experts can offer advice on every model in the range and help you pick the right vehicle and factory-fit options for your business. They can also advise you on the best finance packages to ensure that your payments make financial sense.



2. Quality servicing you'd expect at a price you wouldn't

Unpredictability and moving goalposts are part of life for a modern business, making it difficult to predict how many miles your vehicle will do in a year, or how long you'll need to keep it. Our National Service Pricing is designed for customers who need the flexibility of being able to book their vehicle in for a service whenever it needs it. When you do, our technicians will do everything necessary to ensure that your vehicle is back on the road, working hard for your business, as soon as possible.



3. Fast, hassle-free van rental for one-off jobs

Need another van for just a short while? We can hire you any vehicle from our fleet – Caddy, Transporter or Crafter – or passenger-carrier versions of the Transporter and Crafter if you need to move people.

For more information, call the Van Rental team on 01908 467450

4. Accessories designed to help you get even more from your van

Perhaps you've bought a van and your needs have changed – maybe you need a towbar or a roof rack, or perhaps you want to give your van some extra style. That's where Add Ons comes in. Add Ons is an extensive range of Volkswagen-approved accessories, available to buy and be fitted at your local Van Centre. We've got everything from towbars to tailgate spoilers, load nets to leather seats and sat-nav systems to stunning alloy wheels.



5. Taking the worry out of tyres

Why run around looking for a fitter who has your tyres in stock? Let us fit new tyres when your van is in for its service and it'll keep your van off the road for less time. We have a huge range of tyres for all Volkswagen vans, from economy to premium brands, including winter tyres.



6. Express Visual Checks – peace of mind for free

Your Van Centre or Authorised Repairer can give your vehicle a free, 29-point Express Visual Check for complete peace of mind. You'll be given a comprehensive report, with the results clearly explained, and your technician will talk you through what work may need to be done in the future, so you can plan ahead and budget for it. If something needs urgent attention, you can get a precise quote before any work is done – and all the Volkswagen parts are covered by a two-year warranty.

What else can we do?

Loads! Just pop into any Van Centre and ask us. For example, we may be able to point you to a local signwriter, recharge your air-conditioning, or answer any queries about your vehicle. Whatever it may be, we're here for you.

7. Fully fitted parts for a fixed price – and not a penny more

The pricing of all our Volkswagen quality parts is straightforward and clear, so you know exactly how much you're paying. Even better, when they're fitted by trained technicians at a Van Centre or Authorised Repairer they come with two years' warranty and 12 months warranty on labour. If your van is over five years old, ask us about our Economy Parts range – a great-value way to help keep your vehicle 100% Volkswagen.



To find your nearest Van Centre, visit www.volkswagen-vans.co.uk or call 0800 717131

Notes

Lined area for notes with horizontal blue dotted lines.

The small print and the footnotes

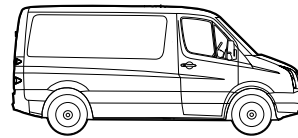
Print processes do not allow exact reproduction of the paint and upholstery colours. Some of the vehicles shown are European specification and may be fitted with optional equipment or accessories that are available at extra charge.

All data given and specifications are in accordance with information available at the time of going to print and are subject to change without notice. Vehicles not in current UK stock and customer order vehicles may take a number of weeks for delivery. Certain combinations of vehicle specifications and factory-fitted extras are not compatible and therefore all orders received are subject to confirmation. Models, factory-fitted options and paint and upholstery options subject to availability. Please check details and availability with an appropriate authorised Volkswagen Van Centre at the time of ordering.

Volkswagen Commercial Vehicle Finance is a trading name of Volkswagen Financial Services (UK) Limited. Finance subject to status, and available to over 18s only.

Full details of Volkswagen warranties are available from your authorised Volkswagen Van Centre or Van Service Centre.

Volkswagen Commercial Vehicle Insurance is a trading name of Volkswagen Insurance Service (Great Britain) Limited, an appointed representative of Volkswagen Financial Services (UK) Limited, Brunswick Court, Yeomans Drive, Blakelands, Milton Keynes MK14 5LR. Registered in England number 2835230. Volkswagen Commercial Vehicle Insurance is sold, underwritten and administered by Allianz Insurance plc registered in England number 84638. Registered office 57 Ladymead, Guildford, Surrey GU1 1DB. Volkswagen Financial Services (UK) Limited and Allianz Insurance plc are authorised and regulated by the Financial Services Authority. Volkswagen Financial Services (UK) Limited and Allianz Insurance plc are not part of the same corporate group




Get in touch with the experts

To find your nearest Van Centre call

0800 717 131

or visit www.volkswagen-vans.co.uk

 Volkswagen_CV

 VolkswagenCommercialVehiclesUK

Issue: January 2014

Printed in the UK, 2 January 2014. CVW714CRAFT

This brochure supersedes all previous publications