

December 2014



**Commercial  
Vehicles**

# Caddy vans







**02 Introducing the Caddy**

- 04 The power of partnership
- 06 Safety systems
- 08 Engines and gearboxes
- 10 BlueMotion Technology
- 10 Caddy BlueMotion



**12 Cab comfort**

- 14 The right vehicle for the job
- 16 Caddy
- 18 Caddy Maxi



**20 Choosing your trimline**

- 21 Startline
- 22 Trendline
- 23 Highline



**24 Caddy Maxi kombi**



**26 Paint finishes**

- 27 Upholstery
- 29 Alloy wheels, audio and communications



**30 Engine data**

- 31 Economy and performance
- 32 Dimensions
- 33 Weights



**34 Service and warranties**



# Introducing the Caddy.

The Caddy, Caddy Maxi and Caddy Maxi kombi are designed to serve a wide range of businesses. As you'd expect from Volkswagen, all Caddy models combine practicality and safety with comfort and economy, in a stylish and reliable package. They're as equally at home on the open road as in the city. From the ergonomic cab to the versatile and spacious load area – not to mention the range of powerful TDI diesel engines, you'll find that whichever Caddy you choose, it will easily handle the demands of your working day and get the job done quickly and safely.

And remember, with our dedicated nationwide network of Van Centres there to help support you and your business throughout the life of your vehicle, you'll find that both buying and running a Caddy has never been easier.



# The power of partnership.



## Everything for the job... and the journey.

### The right van.

We're commercial vehicle experts and finding the right van for your business is what makes us tick. We'll guide you through the range, take you on a test drive and cover all the options.

### The right accessories.

From mudflaps to sat navs, plying to roof racks, we'll work with you to create the perfect van – keeping everything 100% Volkswagen to preserve its class-leading residuals.

### The right finance.

Every business is different, so we stay flexible, with a range of finance packages to choose from. Depending on your preference, we'll go through the options to find the one that suits you best.

### The right support.

Nothing matters more than keeping you mobile, so our servicing options are built around you. You'll also enjoy three-years free Roadside Assistance with your new van.

### The right service.

We understand it's the little things that make the difference, so we set high standards. We'll call you when we say, keep you informed on delivery dates and support you long after purchase.

### It's more than a van to you. You're more than a customer to us.

We know that when you choose Volkswagen, you're looking for more than just four walls on four wheels. You want a van that looks after itself while you take care of business. A vehicle that makes a statement, as well as a delivery. An investment for the future that makes a difference today.

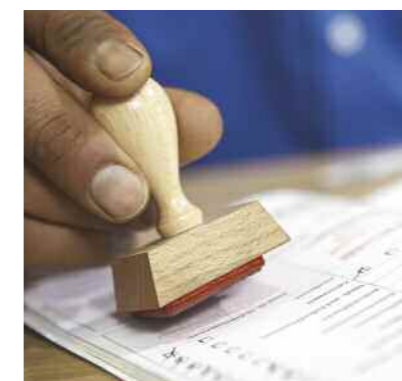
### To anyone else you're a customer. To us, you're a partner.

By getting to know how you work and what you need, we can give you more. That means helping your business become stronger and leaner, supporting your plans year after year. It means a partnership that lasts as long as your ownership, with a vehicle and a team that's with you for the journey.



### Our dedicated network of Van Centres.

Over **70 Van Centres** and **29 Authorised Repairers** means you're only 45 minutes from our door, wherever your work takes you.



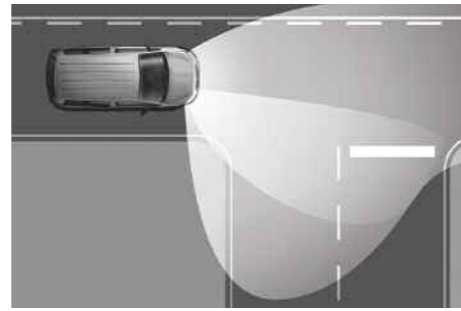
### And there's more...

We offer a lot more than you might think. From cost-effective **van rental** to a wide selection of premium and budget **replacement tyres**, or an **air conditioning recharge** to pointing you to a **local signwriter**, we're able to help!

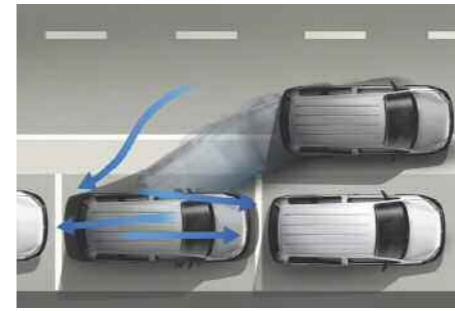
For more information on service, support and warranties, take a look at **page 34**.



# Your safety is our priority.



**Cornering lights**<sup>1</sup>, integrated into the front fog lights, help to illuminate curves and bends in the road ahead. This allows you to anticipate possible risks sooner, helping you to arrive at your destination safely.



With **Parallel Park Assist with distance control**<sup>1</sup> your van almost parks itself. Using ultrasonic sensors, it cleverly steers into the tightest of spaces at the touch of a button. Even though you don't have to steer, you're always in control, working the accelerator, brake and clutch.



A driver's **airbag** is fitted as standard to all Caddy models, whilst a passenger airbag is also standard on kombi (optional on Caddy and Caddy Maxi). As a further option, side and curtain airbags can also be specified, while where fitted, the front passenger airbag can be deactivated.



- 01** When the vehicle weight is transferred to the front wheels during braking, the **Electronic Brakeforce Distribution (EBD/EBV)** prevents lockup of the rear wheels, which are under less load. This helps your vehicle brake safely in a straight line.
- 02** The **seatbelt warning** reminds the driver that their seatbelt is not fastened. An audiovisual signal is used to request that the seatbelt is fastened before you start driving.
- 03** The **Electronic Stabilisation Programme (ESP)** prevents the vehicle from swerving in critical driving conditions by controlled and targeted intervention in the brake and engine management. Thus, the vehicle achieves maximum directional stability.
- 04** The **tyre pressure monitoring** display (standard on kombi) activates a warning signal to highlight significant changes in tyre pressure. This lets the driver know that the tyre pressure should be checked as soon as possible.
- 05** The **Anti-lock Braking System (ABS)** prevents wheels from locking up and therefore significantly improves the manoeuvrability of the vehicle under heavy braking.
- 06** The **Brake Assist** system recognises the speed at which the brake pedal is actuated. In the case of reflex or emergency braking, the system applies full brake pressure more rapidly to achieve the shortest possible stopping distance.

Your safety is a vital factor, so we ensure that a long list of safety and security features are built-in to every vehicle we produce. Since we first introduced structural safety features on commercial vehicles over 35 years ago, Volkswagen's policy of continuous safety development has been setting the pace. Every Volkswagen model incorporates a range of both active and passive safety features, to ensure the safety and security of both you and your load.

Almost every part of the vehicle's design contributes to safety. Occupants are securely enclosed within a rigid safety cell with crumple zones to absorb crash energy, while the chassis and suspension are designed for excellent directional stability and handling. Features such as Anti-lock Braking System (ABS), Electronic Brakeforce Distribution (EBD/EBV), Electronic Stabilisation Programme (ESP) and a driver's airbag are fitted as standard.

For extra security and protection, an electronic immobiliser and remote central locking with dead locking and internal locking button are standard, while optional features such as anti-theft devices, parking sensors, Parallel Park Assist, Bi-xenon headlights, automatic rain-sensing wipers and cornering lights all offer additional peace-of-mind.



<sup>1</sup> Cornering lights and Parallel Park Assist with distance control are available as optional extras and may require other options to be specified.



# Caddy TDI diesel engines. Offering the power to deliver.

With a range of powerful and economical TDI diesel engines, there's not much the Caddy, Caddy Maxi or Caddy Maxi kombi can't shift. Take the powerful 2.0 litre 140PS TDI for example – with 320Nm maximum torque, it transports the heaviest of loads with ease, yet still offers excellent economy and low running costs.

The engine range features a choice of three highly efficient common-rail diesel engines, all complying with Euro 5 emission limits. Depending on your engine, you'll receive a 5 or 6-speed manual gearbox as standard, while on the 102PS and 140PS engines, a dual clutch direct shift gearbox (DSG) can be specified, which provides a smooth power-flow when changing gear.

What's more, to aid your business further, all engines are available with a choice of Volkswagen's fixed or flexible servicing regimes – all designed to contribute to low whole-life running costs.

With every engine in the Caddy range designed to deliver more power, torque, flexibility and economy, you're sure to find an engine that's perfectly suited to the particular demands of your business.



## Dual clutch direct shift gearbox (DSG).

Our dual clutch direct shift gearbox (DSG) can be used as a fully automatic gearbox, or as a responsive quick-shift manual. The innovative dual clutch system not only facilitates an instant gear change, but can aid fuel consumption, whilst also helping to maintain swift and smooth progress.

# TDI

## 1.6 litre 55kW (75PS) TDI engine.<sup>1</sup>

The entry level 75PS TDI diesel engine draws strength from a cubic capacity of 1,598cc. Thanks to TDI technology, it delivers a maximum torque of 225Nm. As is the case with all our TDI engines, CO<sub>2</sub> emissions and fuel consumption have been optimised, while still giving a significant increase in performance. Available with a 5-speed manual gearbox on the Caddy only.

## 1.6 litre 75kW (102PS) TDI engine.<sup>1</sup>

The 102PS TDI diesel engine develops more power from the same cubic capacity. Fuel consumption and CO<sub>2</sub> emissions are equally impressive, as is 250Nm maximum torque for added performance. Available with a 5-speed manual gearbox or our innovative 7-speed dual clutch direct shift gearbox (DSG) on Caddy, Caddy Maxi and Caddy Maxi kombi.

## 2.0 litre 103kW (140PS) TDI engine.<sup>1</sup>

As the most powerful engine in the range, the amazing 140PS TDI diesel engine produces an incredible 320Nm maximum torque. This results in a driving experience that is second to none. Available with a 6-speed manual gearbox or 6-speed dual clutch direct shift gearbox (DSG) on Caddy and Caddy Maxi.



<sup>1</sup> Please refer to page 31 for information about fuel consumption and CO<sub>2</sub> emissions.



# BlueMotion Technology.

BlueMotion Technology (BMT) is available as a cost-effective addition to most Caddy and Caddy Maxi models. It consists of four key elements, which when added together, contribute to significant improvements in fuel consumption and CO<sub>2</sub> emissions. As a business, this not only benefits your pocket, but also demonstrates your concern for the environment!

The best reflection of these virtues can be found in the Caddy BlueMotion, which as a stand-alone model, not only incorporates Volkswagen's tried and tested BlueMotion Technology, but also a host of weight-saving and aerodynamic improvements, such as fuel-saving low rolling resistance tyres and a lowered ride height.

By utilising a 1.6 litre 102PS TDI diesel engine with 250Nm maximum torque, the Caddy BlueMotion delivers a superior combined fuel figure of **61.4mpg** – 6mpg more than the already frugal Caddy with BlueMotion Technology. This enables you to travel further with an impressive range of around **810 miles** and low CO<sub>2</sub> emissions of just **119g/km**, giving it the perfect balance of power, torque and economy.

## BlueMotion Technology (BMT) price.

### Caddy and Caddy Maxi

Basic price (exc. VAT)	£410.00
Total price (inc. VAT)	£492.00

## BLUEMOTION TECHNOLOGY

### Four key elements.

#### 1. Cruise control.

By driving at a constant speed, cruise control saves fuel which would normally be wasted by fluctuations in speed. This lowers CO<sub>2</sub> emissions with the benefit of increasing driver comfort.

#### 2. Hill Hold Assist.

On inclines, Hill Hold Assist helps you make a smooth and efficient getaway. It works by holding the brakes on for a short time, meaning you don't need to rev the engine unnecessarily.

#### 3. Regenerative braking.

When you brake, the energy recuperation system uses momentum to turn the alternator and charge the battery. A well charged battery results in the engine doing less work, which in-turn saves fuel and lowers CO<sub>2</sub> emissions.

#### 4. Start/Stop.

Allows you to save fuel by automatically turning the engine off when you stop and engage neutral. As soon as it's time to move, the engine starts up again. A simple, but highly effective system.

### Find out more...

Safety systems	06	Startline trim	21
Engines	08	Paint and upholstery	26
Caddy panel van	16	Economy	31

## BLUEMOTION

### Caddy BlueMotion panel van.

#### Standard equipment in addition to Startline.<sup>1</sup>

- BlueMotion exterior badge to rear.
- BlueMotion Technology – including cruise control, Hill Hold Assist, regenerative braking and Start/Stop.
- Breakdown kit – in lieu of spare wheel.
- Efficient engine control.
- Lowered ride height – helps improve aerodynamics, leading to reduced drag and better fuel economy.
- Low rolling resistance tyres.
- Painted protective side strips.
- Surprise black/blue cloth upholstery.
- Wheel covers – stylish full-width, multi-spoke design.

<sup>1</sup> Due to weight optimisation, certain Startline features and options are not compatible. Please ask your Van Centre for further details.





# Welcome to your office.

You'd be forgiven for forgetting you're in a commercial vehicle while sitting at the wheel of a Caddy. The stylish and ergonomic interior, made from high-quality materials, has well thought-out controls, enabling you to concentrate on the road ahead. You'll feel totally at home with a driver's seat that's adjustable for height, reach and rake and a steering wheel that adjusts for reach and rake too. Driver and passenger 3-point seatbelts are adjustable for height and include tensioners as standard.

To further take the strain from your journey, every Caddy has power assisted steering, a powerful heater with air recirculation, pollen filter and 4-speed blower, cab interior lighting with switch-off delay and warning buzzer when lights are left on and a useful rev counter to aid smoothness and economy.



#### RCD 210 radio.

The standard RCD 210 radio offers an output of 20 watts and features an integrated MP3 compatible CD player.



#### Stay connected.

Bluetooth® connectivity and a range of quality radio and navigation systems help ensure you're always in-touch.



#### Air conditioning.

Standard on Highline models, climatic air conditioning ensures a comfortable and pleasant climate inside your cab.



#### Cruise control.

Maintain a constant speed at the touch of a button. Standard on Trendline, Highline and BlueMotion Technology (BMT) models.



#### Storage solutions.

The Caddy cab features a host of handy storage compartments, bins and trays including optional under-seat storage.



#### Leather multi-function steering wheel.

Available as an option. Operate a host of features and additional functions at the touch of a button.

#### Find out more about trimlines...

Caddy BlueMotion	10	Trendline	22
Startliné	21	Highline	23



# So which model do you need?

## Your van.

You probably already have an idea about what you need from your ideal van and what you'll need to carry. Likewise, you're sure to have an idea about what's the heaviest, tallest, widest, longest, or just the most awkward load you'll need to get into your vehicle. If you're a fleet manager, then you'll probably need a variety of options and more than one vehicle. Bearing these factors in mind, the information featured on these pages is designed to help as a quick guide to which vehicle may be the closest match to your own specific requirements.

## Your trimline.

For added choice, there's a variety of trimlines available, each delivering its own distinct feel. From the robust Startline to the luxurious Highline, you're sure to find a vehicle and trimline combination that not only works hard, but also creates the right impression.

## Your choice.

And remember, that's not all. Every Caddy is available with a wide range of options and accessories – all designed to further help tailor your vehicle to your own particular needs. So which model do you need?



## Load volumes.

### Caddy.

3.2 m<sup>3</sup>



### Caddy Maxi.

4.2 m<sup>3</sup>



### Caddy Maxi kombi.

4.1 m<sup>3</sup>



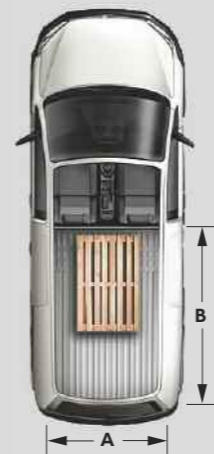
1.6m<sup>3</sup> load volume with rear seats upright.

## Payloads, space, trimlines and engines.

### Caddy.



### Caddy Maxi.



	Caddy.	Caddy Maxi.
Payload:	544kg – 767kg	712kg – 752kg
Maximum load width (A):	1,552mm	1,552mm
Load width between wheel arches:	1,172mm	1,172mm
Maximum load length (B):	1,781mm	2,250mm
Load height:	1,244mm	1,262mm
Trimlines:	SL TL HL BM	SL TL HL
Engines:	75 PS 102 PS 140 PS	102 PS 140 PS

## Payloads, space, seating and engine.

### Caddy Maxi kombi.



With and without rear seats.

	Caddy Maxi kombi.
Payload:	611kg – 629kg
Maximum load width (A):	1,480mm
Load width between wheel arches:	1,170mm
Maximum load length with rear seats folded (B):	1,823mm
Load height:	1,243mm
Load volume:	rear seats upright 1.6m <sup>3</sup> rear seats folded 3.9m <sup>3</sup> rear seats removed 4.1m <sup>3</sup>
Engine:	102 PS

## How to select your van...

1. Think about the **maximum length and height** of your load. This will help you choose either a Caddy or Caddy Maxi. If you need to carry more than one passenger, you'll need to consider choosing a Caddy Maxi kombi.
2. Consider your **payload** ranges and think about the heaviest load you need to carry. This will help you to check that your choice is suitable.
3. If you've chosen a Caddy or Caddy Maxi, decide on your preferred **trimline** and think about whether you wish to include **BlueMotion Technology**.
4. Take a look at the separate Caddy price list to discover which **engines and options** are available for your chosen van.

### Key.

SL	Startline	TL	Trendline	HL	Highline
BM	BlueMotion				



# Caddy.

When looking into the **Caddy's** load area, you'll be amazed at how much space we've managed to create. With a load volume of 3.2m<sup>3</sup>, it easily carries weights up to 767kg and accommodates a load length of 1,781mm, width of 1,552mm (1,172mm between wheel arches) and height of 1,244mm.

Access at the rear is through asymmetric doors with a width of 1,181mm and height of 1,129mm, while a tailgate can be specified as an option. Both the doors and tailgate are glazed and feature heated windows with wash-wipe. Side access is through a near-side sliding door, which when open, allows a width of 701mm and height of 1,100mm. If required, an off-side sliding door can be specified as an option, allowing for easy access to both sides of the vehicle.



### Heated rear windows with wash-wipe.

Fitted as standard, while rear doors with opaque glass, or a glazed tailgate are also available.



### Off-side sliding door.

A second sliding door on the off-side can be specified as an option when access is needed to both sides of the vehicle.



### Safe and easy access.

The Caddy features twin asymmetric doors, a full-height bulkhead with mesh upper and a low load floor height.



### Roof rail preparation.

The Caddy allows for roof rails, bars and racks to be mounted safely without the need to drill holes into the bodywork.

### Find out more...

Safety systems	06	Cab comfort	12
Engines and gearboxes	08	Trimlines	20
BlueMotion Technology	10	Paint and upholstery	26
Caddy BlueMotion	10	Economy	31



# Caddy Maxi.

The **Caddy Maxi** offers the same great features as the Caddy, but with the addition of more space. With a load volume of 4.2m<sup>3</sup> and a longer wheelbase, the Caddy Maxi provides an extra 469mm of load length – giving up to 2,250mm of usable space.

In common with the Caddy, access at the rear is through generous asymmetric doors, which on the Caddy Maxi, feature opaque glazed panels. When it comes to side access, the Caddy Maxi includes twin sliding doors as standard. As an addition to the Caddy, the Caddy Maxi features a full-height solid bulkhead. With eight load-lashing rings, an interior light and hardboard side protection as standard, the Caddy Maxi's load compartment offers the perfect environment for your cargo.



#### Rear tailgate.

For no additional cost, an optional glazed tailgate with heated window and wash-wipe can be specified.



#### Full-height bulkhead.

The Caddy Maxi features a sturdy full-height solid bulkhead as standard. Other bulkhead options are also available.



#### Rubber floor covering.

Available as an option, this tough rubber floor covering is available on both the Caddy and Caddy Maxi.



#### Eight load-lashing rings.

To help prevent loads from moving or entering the cab, the Caddy Maxi load floor is fitted with eight load-lashing rings.

#### Find out more...

Safety systems	06	Trimlines	20
Engines and gearboxes	08	Paint and upholstery	26
BlueMotion Technology	10	Economy	31
Cab comfort	12	Service and warranties	34



# Choosing your trimline.

Once you've found your ideal van – or indeed vans if you're a fleet customer, the next step is to choose your perfect trimline. Both the Caddy and Caddy Maxi have a choice of three levels (**Startline**, **Trendline** and **Highline**) – each with their own particular strengths and all designed to create the right impression for your business.

While the **Startline** includes the standard features found in all models, the Trendline enhances this with a host of stylish and practical upgrades. If you want more, the Highline delivers a level of specification rarely found in a commercial vehicle.

The following pages will help you to discover what's available within each trimline, but if you have any questions, our Van Centre staff will be more than happy to offer further advice.



## Startline equipment.

### Audio and communications.

RCD 210 radio with single MP3 compatible CD player, AUX-IN socket and two speakers.

### Cab area.

Austin cloth upholstery.  
Digital clock.  
Dimmable dashboard illumination.  
Driver's seat with height, reach and rake adjustment.  
Four drinks holders and storage compartment in centre console.  
Interior light in headliner.  
Manually controlled heating system with dust and pollen filter and air recirculation.  
Open glove compartment.  
Passenger seat with reach and rake adjustment.  
Reach and rake adjustable steering column.  
Rear-view mirror with anti-dazzle function (Caddy).  
Rubber floor covering.  
Servotronic speed-related power-assisted steering.  
12v socket.

### Cargo area.

Full-height bulkhead with solid lower and mesh upper (Caddy).  
Full-height solid bulkhead (Caddy Maxi and C20+).  
Hardboard roof trim and painted half-height side panels.  
Heavy-duty suspension (C20+).  
Load-lashing rings (six on Caddy, eight on Caddy Maxi).  
Two door-activated interior lights.

### Exterior.

Glazed asymmetric rear wing doors with heated rear window and wash-wipe (Caddy).  
Glazed asymmetric rear wing doors with opaque glass (Caddy Maxi and C20+).  
Grey door mirrors and handles.  
Grey front and rear bumpers.

### Exterior (continued).

Heat insulating windscreen.  
Roof rail preparation.  
Single near-side sliding door (Caddy).  
Twin near-side and off-side sliding doors (Caddy Maxi).  
60 litre fuel tank.

### Safety and security.

Anti-lock Braking System (ABS).  
Automatic hazard light activation under emergency braking.  
Driver's airbag.  
Electronic Brakeforce Distribution (EBD).  
Electronic Differential Lock (EDL).  
Electronic Stabilisation Programme (ESP).  
Engine Drag Torque Control (MSR).  
Halogen main headlights with range control and daytime running lights.  
Height-adjustable head restraints.  
Remote central locking with deadlocks, interior locking and two remote keys.  
Thatcham Category 2 approved immobiliser.  
Traction Control System (TCS).  
Windscreen wiper with variable intermittent delay and wash-wipe system.

### Wheels and tyres.

15" steel wheels with 195/65 R15 tyres.  
16" steel wheels with 205/55 R16 tyres (140PS models).  
Black wheel centre caps.  
Full size steel spare wheel.  
Tool kit and jack.



RCD 210 radio with MP3 compatible CD player.



Full-height solid steel bulkhead (Maxi and C20+).



Six or eight load-lashing rings in cargo area.



## Trendline equipment in addition to Startline.

### Audio and communications.

RCD 310 radio with MP3 compatible CD player and AUX-IN.  
Bluetooth® phone connectivity with trip computer and multi-function display.

### Cab area.

Cruise control.  
Dashboard centre storage compartment cover.  
Electric front windows.  
Electrically heated and adjustable door mirrors.  
Passenger seat with height adjustment.  
Storage compartments under the front seats.  
Twin sun visors with vanity mirrors.

### Exterior.

Body-coloured bumpers, mirrors and door handles.  
Rear parking sensors.  
Wheel covers – stylish full-width, multi-spoke design.

### Trendline price. (in addition to Startline price)

<b>Basic price</b> (exc. VAT)	<b>£1,010.00</b>
Total price (inc. VAT)	£1,212.00

### The savings you make. (exc. VAT)

<b>What it's worth</b>	£1,590.00
<b>What you pay</b>	£1,010.00
<b>What you save</b>	<b>£580.00</b>

The **Trendline** equipment builds upon the strengths of the Startline by offering a wide range of stylish, practical and technological items. By selecting the most popular options available and combining them into one handy pack, the Trendline offers amazing value when compared to ordering each item individually.

## Highline equipment in addition to Trendline.

### Cab area.

Climatic air conditioning.  
Leather steering wheel, gearknob and gaiter.

### Exterior.

Front fog lights.

### Safety and security.

Thatcham Category 1 approved alarm and immobiliser with tow-away, perimeter and interior cab protection.

### Wheels and tyres.

15" Kemora light alloy wheels (retains steel spare wheel).  
16" Siracusa light alloy wheels (with 140PS engine, retains steel spare wheel).

### Highline price. (in addition to Startline price)

<b>Basic price</b> (exc. VAT)	<b>£2,020.00</b>
Total price (inc. VAT)	£2,424.00

### The savings you make. (exc. VAT)

<b>What it's worth</b>	£3,370.00
<b>What you pay</b>	£2,020.00
<b>What you save</b>	<b>£1,350.00</b>

For only a small premium over-and-above the cost of a Startline – especially when you consider what it includes and the significant savings you make, the luxurious **Highline** adds to the Trendline's already impressive specification and offers the perfect balance of comfort and style in a hard-working vehicle. Choose a Highline and you'll have a van that's designed to help get your business noticed.



Body-coloured bumpers, mirrors and door handles.



Cruise control.



Rear parking sensors.



Leather steering wheel, gearknob and gaiter.



Climatic air conditioning.



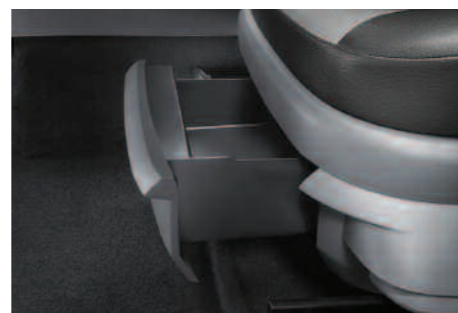
Front fog lights.



RCD 310 radio.



Electric front windows.



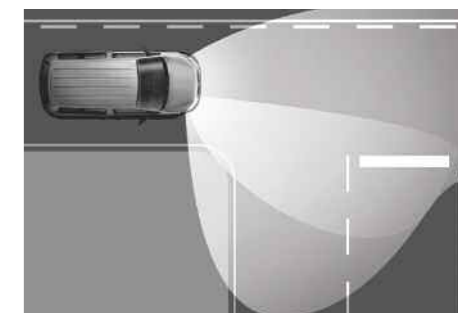
Front seat storage compartment.



15" Kemora alloy wheels (standard on 102PS).



16" Siracusa alloy wheels (standard on 140PS).



Optional cornering function for front fog lights.



# Caddy Maxi kombi.

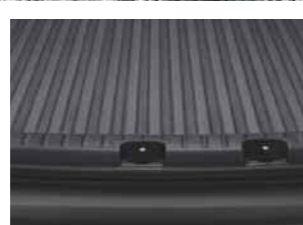
The **Caddy Maxi kombi** offers versatility when you need the ability to transport a crew of up to five (including the driver) and their kit. While the cab includes the usual features you'd expect from any Caddy, behind the cab there's seating for three passengers, consisting of a single seat to the left and dual seat to the right – each fitted with 3-point seatbelts and height-adjustable head restraints. Access to the passenger seating is through twin glazed side sliding doors, while at the rear you'll find a glazed tailgate with heated window and wash-wipe.

With the rear seats in place<sup>1</sup>, there's a load volume of 1.6m<sup>3</sup>, folding the seats forward increases this to 3.9m<sup>3</sup>, while if you remove the seats, this increases to 4.1m<sup>3</sup>.



## Rear tailgate.

The Caddy Maxi kombi comes with a glazed tailgate with heated window and wash-wipe as standard.



## Rubber floor covering.

The cab and cargo area features a grippy rubber floor covering (including locators for rear seats and load-lashing rings).



## Versatile and economical 102PS TDI diesel engine.

The kombi combines 250Nm maximum torque with impressive economy and low CO<sub>2</sub> emissions.

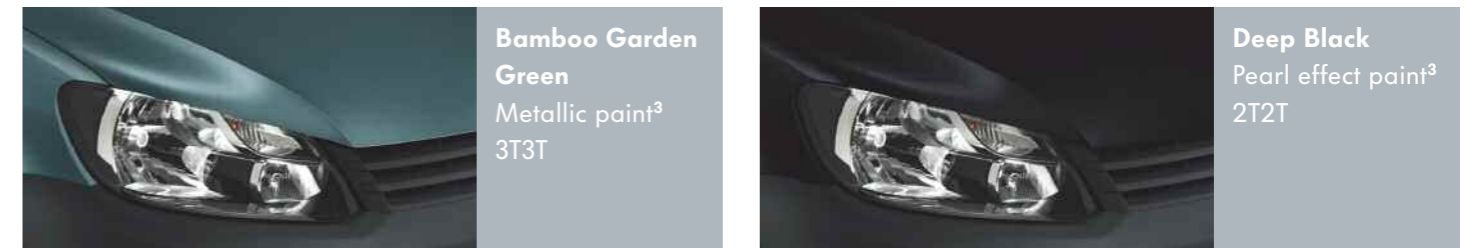
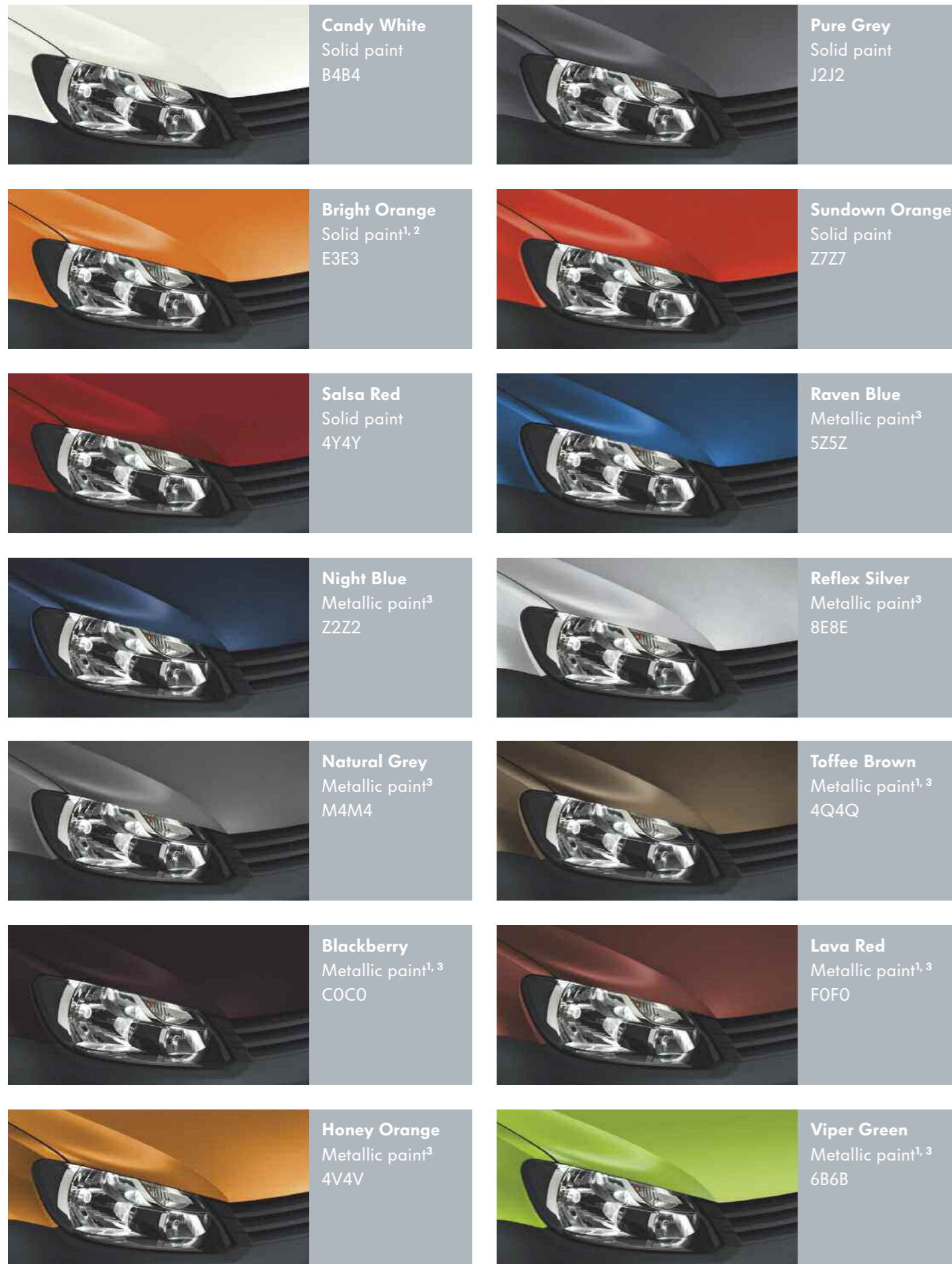
## Find out more...

Safety systems	06	Paint and upholstery	26
Engines and gearboxes	08	Economy	31
Cab comfort	12	Service and warranties	34

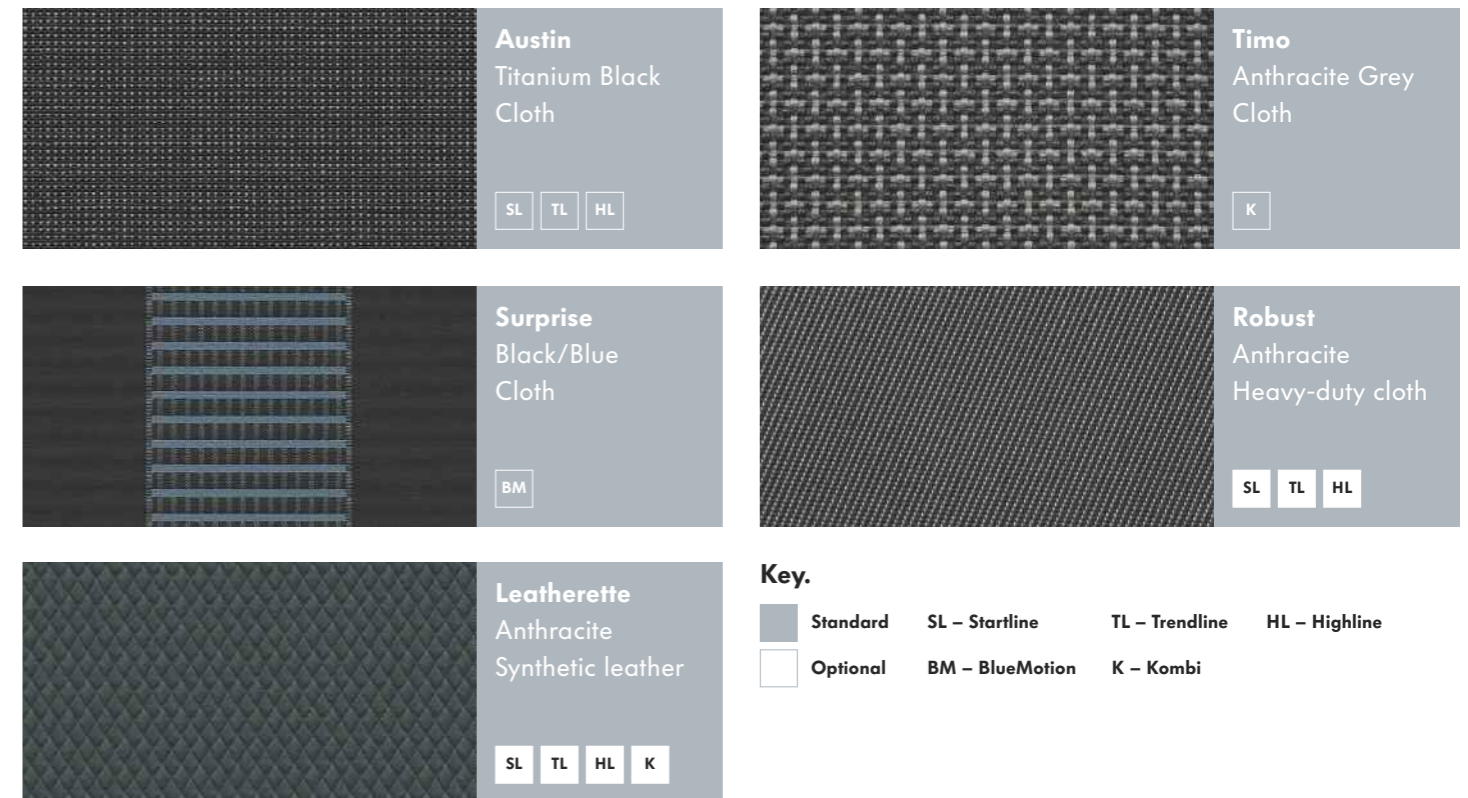
<sup>1</sup> The rear seats mean that unlike other models in the Caddy van range, the Caddy Maxi kombi is classified as a passenger carrying vehicle.



## Paint finishes.



## Upholstery.



<sup>1</sup> Not available for Caddy BlueMotion.

<sup>2</sup> Not available for Trendline and Highline.

<sup>3</sup> Metallic and pearl effect finishes are available at extra cost.

Please note: Not all paint and upholstery combinations can be ordered together and in some instances certain combinations may incur extra cost. Print processes do not allow exact reproduction of paint and upholstery colours.





## Alloy wheels.



**15" Kemora**  
195/65 R15 tyres.  
Standard on  
Highline 102PS.



**16" Siracusa**  
205/55 R16 tyres.  
Standard on  
Highline 140PS.



**16" Sacramento**  
205/55 R16 tyres.



**17" Budapest**  
205/50 R17 tyres.



**17" Canyon**  
205/50 R17 tyres.

## Audio and communications.



**RCD 210**  
FM/AM radio.  
Single CD player.  
MP3-file compatible.  
AUX-IN socket.  
Two speakers.  
Storage compartment.



**RCD 310**  
FM/AM radio.  
Single CD player.  
MP3-file compatible.  
AUX-IN socket.  
Larger display.  
Available with DAB+.



**RCD 510**  
6.5" colour touch-screen.  
Integrated 6 CD changer.  
MP3-file compatible.  
FM/AM radio.  
AUX-IN and SD card slot.  
Four speakers.  
Available with DAB+.



**RNS 315**  
5" colour touch-screen.  
6GB flash memory.  
FM/AM radio with RDS.  
Single CD player.  
AUX-IN and SD card slot.  
Four speakers.  
Satellite navigation.



**RNS 510**  
6.5" colour touch-screen.  
Voice control. DVD drive  
and 30GB hard drive.  
FM/AM radio with RDS.  
AUX-IN and SD card slot.  
Four speakers.  
Satellite navigation.

Please note: For alloy wheel, audio and communications compatibility and fitment, please see separate price list.

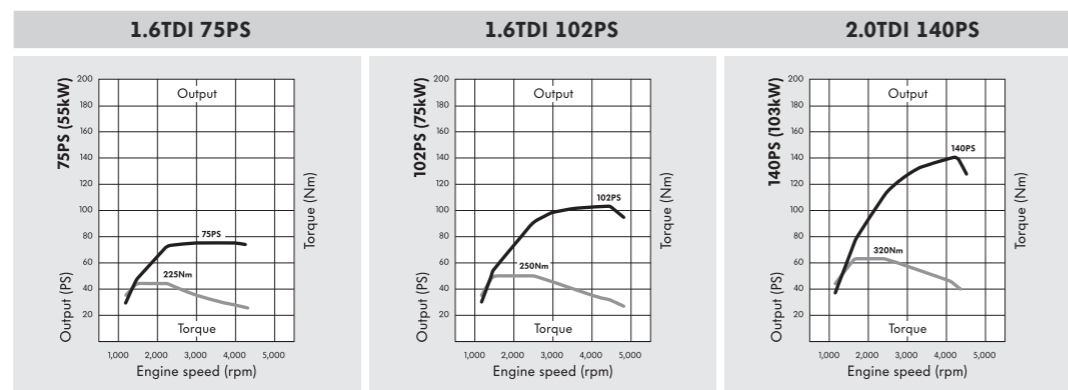


## Engine and gearbox data.



Engine specifications.	1.6TDI 75PS	1.6TDI 102PS	2.0TDI 140PS
Engine type	Diesel, transverse, water-cooled, in-line, variable turbine geometry turbocharger with intercooler		
Mixture preparation/injection method	Common-rail, direct injection		
EU exhaust emission standard	EURO 5		
Number of cylinders	4		
Cubic capacity	1,598cc		1,968cc
Output, PS at rpm	75 at 3,000-4,000	102 at 4,400	140 at 4,200
Torque, max. Nm at rpm	225 at 1,500-2,250	250 at 1,500-2,500	320 at 1,750-2,750
Diesel Particulate Filter (DPF)	●	●	●
5-speed manual gearbox	●	●	-
6-speed manual gearbox	-	-	●
6-speed dual clutch gearbox (DSG)	-	-	○
7-speed dual clutch gearbox (DSG)	-	○	-
Front-wheel drive	●	●	●
BlueMotion Technology	○	○	○
Alternator	110A		
Battery	61Ah (330A)		

- Standard
- Available
- Not available



## Fuel consumption, performance and emissions.

Engine/transmission	Urban mpg (ltr/100km) <sup>1</sup>	Extra-urban mpg (ltr/100km) <sup>1</sup>	Combined mpg (ltr/100km) <sup>1</sup>	Acceleration 0-62 mph seconds	Top speed (where law permits) mph	CO <sub>2</sub> emissions g/km <sup>1</sup>
<b>C20, C20+ Caddy.</b>						
1.6TDI 75PS	42.8 (6.6)	54.3 (5.2)	49.6 (5.7)	16.7	93	149
1.6TDI 75PS BMT	47.9 (5.9)	57.6 (4.9)	53.3 (5.3)	16.7	94	139
1.6TDI 102PS	42.8 (6.6)	54.3 (5.2)	49.6 (5.7)	12.2	104	149
1.6TDI 102PS BMT	47.9 (5.9)	60.1 (4.7)	55.4 (5.1)	12.2	106	134
1.6TDI 102PS DSG	42.8 (6.6)	53.3 (5.3)	48.7 (5.8)	12.3	104	152
1.6TDI 102PS DSG BMT	47.9 (5.9)	54.3 (5.2)	52.3 (5.4)	12.3	104	142
2.0TDI 140PS	38.2 (7.4)	53.3 (5.3)	47.1 (6.0)	10.0	116	158
2.0TDI 140PS BMT	42.2 (6.7)	56.5 (5.0)	50.4 (5.6)	10.0	116	147
2.0TDI 140PS DSG	37.2 (7.6)	51.4 (5.5)	44.8 (6.3)	10.1	116	166
2.0TDI 140PS DSG BMT	42.8 (6.6)	51.4 (5.5)	47.9 (5.9)	10.1	116	155
<b>C20 Caddy BlueMotion.</b>						
1.6TDI 102PS BlueMotion	52.3 (5.4)	68.9 (4.1)	61.4 (4.6)	12.2	106	119
<b>C20 Caddy Maxi.</b>						
1.6TDI 102PS	42.2 (6.7)	53.3 (5.3)	48.7 (5.8)	12.6	104	152
1.6TDI 102PS BMT	47.1 (6.0)	58.8 (4.8)	54.3 (5.2)	12.6	106	136
1.6TDI 102PS DSG	42.8 (6.6)	53.3 (5.3)	48.7 (5.8)	12.7	104	152
1.6TDI 102PS DSG BMT	47.9 (5.9)	54.3 (5.2)	52.3 (5.4)	12.7	104	142
2.0TDI 140PS	37.7 (7.5)	52.3 (5.4)	46.3 (6.1)	10.3	116	161
2.0TDI 140PS BMT	41.5 (6.8)	55.4 (5.1)	49.6 (5.7)	10.3	116	149
2.0TDI 140PS DSG	37.2 (7.6)	51.4 (5.5)	44.8 (6.3)	10.4	116	166
2.0TDI 140PS DSG BMT	42.8 (6.6)	51.4 (5.5)	47.9 (5.9)	10.4	116	155
<b>C20 Caddy Maxi kombi.</b>						
1.6TDI 102PS	42.8 (6.6)	54.3 (5.2)	49.6 (5.7)	13.4	104	149
1.6TDI 102PS DSG	42.8 (6.6)	54.3 (5.2)	49.6 (5.7)	13.5	104	149

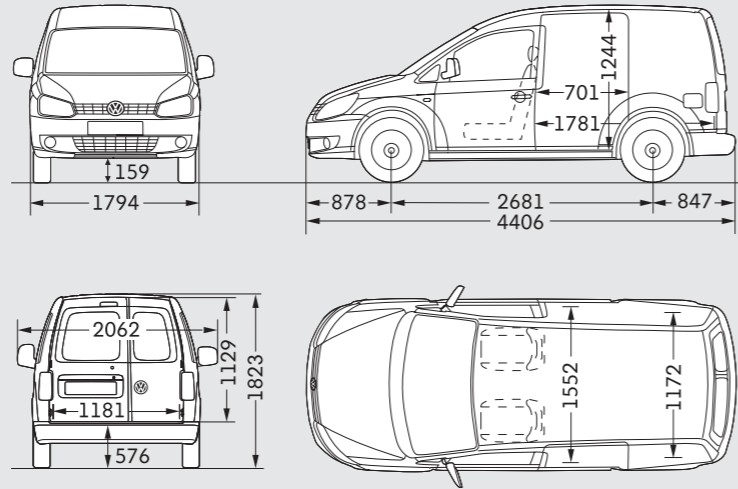
<sup>1</sup> The fuel consumption and emission values listed here have been ascertained in accordance with the legally stipulated measuring method. These figures do not refer to a particular specific vehicle and do not constitute part of the offer but are purely for comparison purposes between the various types of vehicle. In addition to the fuel efficiency of a vehicle, driving behaviour as well as other non-technical factors (such as environmental conditions) play a role in determining a vehicle's fuel consumption and CO<sub>2</sub> emissions. In addition to weather and traffic conditions, extra equipment and accessories (attachment parts, tyres, etc.) may change vehicle parameters such as the weight, rolling resistance of the tyres and the aerodynamics and thus influence the fuel consumption and driving performance values.



## Dimensions.

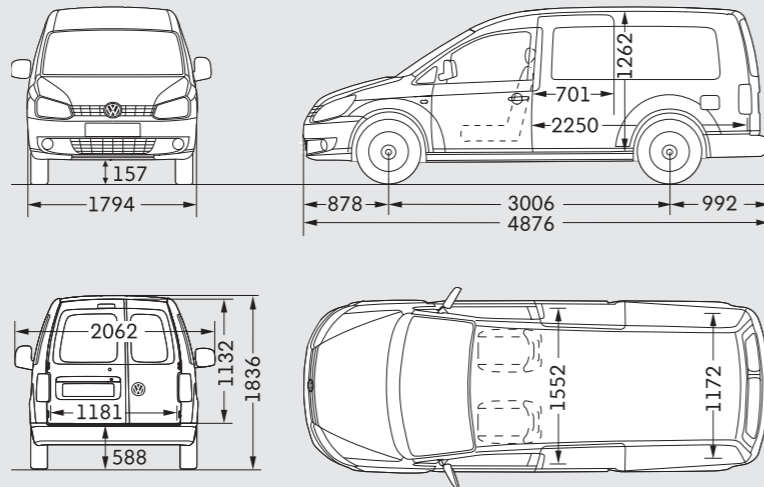
### Caddy.

Wheelbase	2,681
Load compartment length	1,781
width	1,552
width between wheel arches	1,172
height	1,244
load volume	3.2m <sup>3</sup>
Side sliding door width	701
height	1,100
Rear wing doors width	1,181
height	1,129
Turning circle (wall to wall)	11.1m



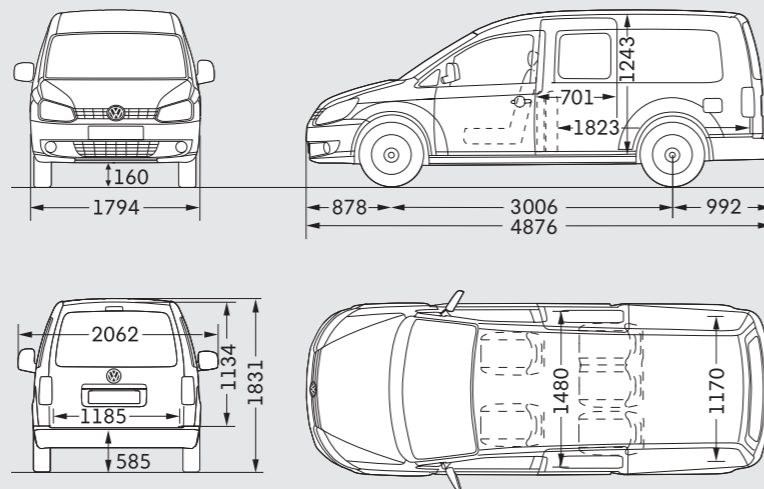
### Caddy Maxi.

Wheelbase	3,006
Load compartment length	2,250
width	1,552
width between wheel arches	1,172
height	1,262
load volume	4.2m <sup>3</sup>
Side sliding door width	701
height	1,100
Rear wing doors width	1,181
height	1,132
Turning circle (wall to wall)	12.2m



### Caddy Maxi kombi.

Wheelbase	3,006
Load compartment length (with rear seats folded)	1,823
width	1,480
width between wheel arches	1,170
height	1,243
Load volume	
rear seats upright	1.6m <sup>3</sup>
rear seats folded	3.9m <sup>3</sup>
rear seats removed	4.1m <sup>3</sup>
Side sliding door width	701
height	1,084
Rear tailgate width	1,185
height	1,134
Turning circle (wall to wall)	12.2m



Please note: Vehicle drawings are not to scale. All dimensions in millimeters (mm), unless otherwise stated.

The height measurements listed may vary by ± 50mm depending on model and equipment fitted.

## Weights.

Model/ gross vehicle weight kg	Engine/transmission	Axle load limit front/rear kg	Trailer weight braked 12%/ unbraked kg	Gross train weight kg	Unladen weight <sup>1</sup> kg	Payload <sup>2</sup> kg	Unladen weight <sup>1</sup> kg	Payload <sup>2</sup> kg	Unladen weight <sup>1</sup> kg	Payload <sup>2</sup> kg
<b>C20, C20+ Caddy.</b>					<b>Startline</b>		<b>Trendline</b>		<b>Highline</b>	
<b>C20</b>	2,159 1.6TDI 75PS	1,075 / 1,230	1,400 / 700	3,550	1,477	<b>682</b>	-	-	-	-
	1.6TDI 75PS BMT	1,075 / 1,230	1,400 / 700	3,550	1,483	<b>676</b>	-	-	-	-
	1.6TDI 102PS	1,075 / 1,230	1,500 / 700	3,650	1,477	<b>682</b>	1,485	<b>674</b>	1,503	<b>656</b>
	1.6TDI 102PS BMT	1,075 / 1,230	1,500 / 700	3,650	1,483	<b>676</b>	1,490	<b>669</b>	1,507	<b>652</b>
<b>C20</b>	2,177 1.6TDI 102PS DSG	1,075 / 1,230	1,500 / 710	3,677	-	-	1,503	<b>674</b>	1,521	<b>656</b>
	1.6TDI 102PS DSG BMT	1,075 / 1,230	1,500 / 710	3,677	-	-	1,508	<b>669</b>	1,525	<b>652</b>
<b>C20</b>	2,172 2.0TDI 140PS	1,075 / 1,230	1,500 / 710	3,672	1,490	<b>682</b>	1,498	<b>674</b>	1,518	<b>654</b>
	2.0TDI 140PS BMT	1,075 / 1,230	1,500 / 710	3,672	1,496	<b>676</b>	1,503	<b>669</b>	1,522	<b>650</b>
<b>C20</b>	2,194 2.0TDI 140PS DSG	1,075 / 1,230	1,500 / 720	3,694	-	-	1,521	<b>673</b>	1,540	<b>654</b>
	2.0TDI 140PS DSG BMT	1,075 / 1,230	1,500 / 710	3,694	-	-	1,525	<b>669</b>	1,544	<b>650</b>
<b>C20+</b>	2,247 1.6TDI 75PS	1,075 / 1,230	1,400 / 700	3,550	1,488	<b>759</b>	-	-	-	-
	1.6TDI 102PS	1,075 / 1,230	1,500 / 700	3,650	1,480	<b>767</b>	1,489	<b>758</b>	1,505	<b>742</b>

Model/ gross vehicle weight kg	Engine/transmission	Axle load limit front/rear kg	Trailer weight braked 12%/ unbraked kg	Gross train weight kg	Unladen weight <sup>1</sup> kg	Payload <sup>2</sup> kg
<b>C20 Caddy BlueMotion.</b>						
<b>C20</b>	2,049 1.6TDI 102PS BlueMotion	1,050 / 1,100	-	-	1,505	<b>544</b>

Model/ gross vehicle weight kg	Engine/transmission	Axle load limit front/rear kg	Trailer weight braked 12%/ unbraked kg	Gross train weight kg	Unladen weight <sup>1</sup> kg	Payload <sup>2</sup> kg	Unladen weight <sup>1</sup> kg	Payload <sup>2</sup> kg	Unladen weight <sup>1</sup> kg	Payload <sup>2</sup> kg
<b>C20 Caddy Maxi.</b>					<b>Startline</b>		<b>Trendline</b>		<b>Highline</b>	
<b>C20</b>	2,310 1.6TDI 102PS	1,125 / 1,300	1,500 / 740	3,650	1,560	<b>750</b>	1,567	<b>743</b>	1,585	<b>725</b>
	1.6TDI 102PS BMT	1,125 / 1,300	1,500 / 740	3,650	1,565	<b>745</b>	1,567	<b>743</b>	1,589	<b>721</b>
<b>C20</b>	2,328 1.6TDI 102PS DSG	1,150 / 1,300	1,500 / 750	3,800	1,578	<b>750</b>	1,585	<b>743</b>	1,603	<b>725</b>
	1.6TDI 102PS DSG BMT	1,150 / 1,300	1,500 / 750	3,800	1,583	<b>745</b>	1,590	<b>738</b>	1,616	<b>712</b>
<b>C20</b>	2,327 2.0TDI 140PS	1,150 / 1,300	1,500 / 750	3,800	1,575	<b>752</b>	1,582	<b>745</b>	1,602	<b>725</b>
	2.0TDI 140PS BMT	1,150 / 1,300	1,500 / 750	3,800	1,580	<b>747</b>	1,587	<b>740</b>	1,607	<b>720</b>
<b>C20</b>	2,349 2.0TDI 140PS DSG	1,150 / 1,300	1,500 / 750	3,800	1,597	<b>752</b>	1,604	<b>745</b>	1,625	<b>724</b>
	2.0TDI 140PS DSG BMT	1,150 / 1,300	1,500 / 750	3,800	1,602	<b>747</b>	1,609	<b>740</b>	1,629	<b>720</b>

Model/ gross vehicle weight kg	Engine/transmission	Axle load limit front/rear kg	Trailer weight braked 12%/ unbraked kg	Gross train weight kg	Unladen weight <sup>1</sup> kg	Payload <sup>2</sup> kg
<b>C20 Caddy Maxi kombi.</b>						
<b>C20</b>	2,280 1.6TDI 102PS	1,150 / 1,230	1,500 / 750	3,650	1,651	<b>629</b>
	1.6TDI 102PS DSG	1,175 / 1,230	1,500 / 750	3,780	1,669	<b>611</b>

<sup>1</sup> Unladen weight includes approximately 90% fuel load and 75kg for driver.

<sup>2</sup> Payload = gross vehicle weight - unladen weight. Weights are for vehicles with standard specification.

Roof load limit: 100kg. Trailer nose weight: 80kg.

The addition of factory options or Volkswagen Van Centre fitted accessories may affect unladen weight and payload.



## Service and warranties.

### Finance and insurance.

When it comes to paying for your van, we've got options including Contract Hire and Finance Lease, or Hire Purchase. We can also offer you competitive insurance.

#### A choice of packages.

Whether you prefer to lease your vehicles, with none of the concerns of ownership and the freedom to change models easily, or purchase outright to own the vehicle that's perfect for your business, we're here to help you make the best decision.

You can go flexible, by choosing a payment plan that suits your finances, with options to reduce your monthly costs and your repayment period. Or choose a fixed monthly price that allows you to budget confidently for the longer term.

You can even include your road tax and servicing costs to arrive at one simple, all-inclusive payment. For more information, pick up a finance brochure, or ask at your Van Centre.

#### Volkswagen insurance.

Volkswagen Commercial Vehicles Insurance provides cost-effective and comprehensive motor insurance, as well as gap insurance, which helps replace your vehicle and protect you from any financial shortfall if it's written off.

#### Insurance benefits include:

- Free seven-day cover to allow you to drive your vehicle away.
- All repairs performed by approved repairers.
- Volkswagen Genuine Parts® used on all repairs.
- Courtesy vehicle provided during repair following an accident.
- Cover for breakage and damage to glass.
- Tools-in-transit cover (up to £1,000).
- In-vehicle personal belongings cover (up to £500).
- Vehicle recovery.
- 60-day European Union cover.
- Legal expenses cover (up to £100,000).

For more information about motor and gap insurance products, ask at your Van Centre, call **0800 316 7896**, or visit [insurewithvvcv.co.uk](http://insurewithvvcv.co.uk).

<sup>1</sup> Business Vans Awards 2014: Best Service Package for Van Owners.

<sup>2</sup> Class 4 MOT only. This option is available to all new and used vehicles up to four years old or with less than 80,000 miles on the clock. Services must be used consecutively prior to vehicle reaching eight years old.

### Servicing and support.

We're here to keep your business moving, with our range of three award-winning<sup>1</sup> servicing and maintenance options, as well as free Roadside Assistance.

#### Pay monthly.

This option is available for vehicles that are less than 12 months old and have covered less than 10,000 miles. It makes budgeting easier by splitting the cost of servicing into fixed monthly payments – whether you want Service only, Service and Maintenance or Service, Maintenance and Tyres.

#### Pay upfront.<sup>2</sup>

If you can pay for more than one service upfront, we'll help by reducing your costs. Buy two upfront and you'll receive one interim and one full service at a discounted rate. Buy four and you'll receive two interim and two full services, with your next MOT also included.

#### Pay on demand.

If you're looking for freedom and flexibility with your servicing, it's good to know we're ready when you are. So with our third option, you can choose to pay for your services as and when you need them, with our National Service Pricing. Ask your Van Centre for an up-to-date pricing guide.

#### Roadside Assistance.

We understand the need to keep you mobile. That's why all new vans come with three-year, unlimited mileage roadside cover. Should the unexpected happen, one call gets you straight through to a team trained to help you through any breakdown or accident. Supporting you every day will be a team of vehicle technicians, fully-trained by Volkswagen and carrying the latest diagnostic equipment, specialist tools and parts.

#### Assistance benefits include:

- Assistance at home, by the roadside or place of work.
- Recovery to your preferred location.
- Onward travel, for you and your cargo.
- Cover 24 hours a day, 365 days a year.
- Free cover for three years (on new vehicles).
- Unlimited mileage.
- European cover.
- Option to extend cover beyond three years.

### Warranties.

You can count on us long after you purchase your Caddy, thanks to its comprehensive three-year, 100,000 mile warranty. You choose Volkswagen because your business depends on it, year in, year out.

While your Caddy is under warranty, we'll fix any defect in manufacture or workmanship free of charge, even if you purchase and service the vehicle at different Van Centres.

#### Extended warranty.

You can also extend your warranty beyond the three-year, 100,000 mile period, choosing either Comprehensive or Major Component cover, as a one-off or monthly payment. For full details of cover levels, along with terms and conditions, please visit [volkswagencvwarranty.co.uk](http://volkswagencvwarranty.co.uk) where you'll also be able to obtain a quote and purchase an extended warranty.

#### Paint and body warranty.

Your Caddy's exterior paintwork is covered against manufacturing defects for a period of three years, while its body sections and panels are covered against rusting through from the inside for 12 years. Some exclusions apply and the vehicle must be cared for using the guidance in your owner's manual.

**Please note:** Print processes do not allow exact reproduction of the paint and upholstery colours. Some of the vehicles shown are European specification and may be fitted with optional equipment or accessories that are available at extra cost, or do not reflect current specification. All data and specifications are in accordance with information available at the time of going to print and are subject to change without notice. Vehicles not currently in UK stock and customer order vehicles may take a number of weeks for delivery. Certain combinations of vehicle specifications and factory-fitted extras are not compatible and therefore all orders received are subject to confirmation. Models, factory fitted-options and paint and upholstery options are subject to availability. Please check details and availability with an authorised Volkswagen Van Centre at the time of ordering.

Volkswagen Commercial Vehicle Finance is a trading name of Volkswagen Financial Services (UK) Limited, Brunswick Court, Yeomans Drive, Blakelands, Milton Keynes MK14 5LR. Registered in England number: 2835230. An offer of finance depends on certain conditions. Subject to status, indemnities may be required. Available to over 18s in the UK only. Volkswagen Commercial Vehicle Insurance is a trading name of Volkswagen Insurance Service (Great Britain) Limited, an appointed representative of Volkswagen Financial Services (UK) Limited, registered in England number: 2835230 (registered office: Brunswick Court, Yeomans Drive, Blakelands, Milton Keynes MK14 5LR). Volkswagen Commercial Vehicle Insurance motor insurance is sold, underwritten and administered by Allianz Insurance plc., registered in England number: 84638 (registered office: 57 Ladymead, Guildford, Surrey GU1 1DB). Volkswagen Financial Services (UK) Limited is authorised and regulated by the Financial Conduct Authority. Financial Services Register number: 311988. Allianz Insurance plc is authorised by the Prudential Regulation Authority and regulated by the Financial Conduct Authority and the Prudential Regulation Authority. Financial Services Register number: 121849. Volkswagen Financial Services (UK) Limited and Allianz Insurance plc are not part of the same corporate group.



Add extra style, protection and practicality to your van, while still keeping it 100% Volkswagen.

#### Add more with Add Ons...

Accessories allow you to go beyond options and truly customise your van. You might want extra capacity with roof attachments or a tow bar, add cab technology or even convert a work van into a weekend leisure vehicle. Whatever you need, there's something in our Add Ons range for you.

#### Keep it 100% Volkswagen.

There are big advantages to purchasing approved accessories from us. Add Ons have all been designed with your Volkswagen in mind, so they're a perfect match for fit and style. They're also rugged, reliable and long-lasting.

#### Keep your Add Ons covered.

Most Add Ons include a two-year warranty, but the great news is that if you order and fit them when you purchase a new van, we may be able to extend that to three years to match your vehicle's warranty. Ask your Van Centre for more details.



# Caddy vans

**VWMY15CADDY3**

**This brochure supersedes all previous publications.**

**Issue: December 2014**

**Internet: [www.volkswagen-vans.co.uk](http://www.volkswagen-vans.co.uk)**