

November 2015



Volkswagen

The new  
**Caddy Life**





Caddy Life

- 04 Design.
- 06 Interior and infotainment.
- 10 Seating configurations.
- 12 Safety systems.
- 14 Assistance systems.
- 16 Engines and gearboxes.
- 18 Caddy Life BlueMotion.
- 20 Caddy Life.
- 22 Caddy Maxi Life.
- 24 Standard equipment.
- 26 Paint, upholstery and trim.
- 28 Alloy wheels, audio and communications.
- 30 Mobile online services.
- 31 Engines and gearbox data.
- 32 Economy and performance.
- 32 Weights.
- 33 Dimensions.
- 34 Service and warranties.

## Live life to the full.

The new Caddy Life and Caddy Maxi Life combine space, luxury, safety and quality in equal measure. They're styled to not only look great, but to work hard for families and commercial customers alike. Offering flexibility and economy with their new range of Euro 6 TDI engines, both models combine the ability to seat up to seven (including the driver), with the ability to transport heavy or bulky items. Even when fully-loaded with passengers, there's plenty of space for occupants to store their kit and still have ample room to relax. And with a well thought-out interior, featuring numerous storage pockets, drawers, nets and trays, there's a place for everything you'll need to bring along. Whichever Caddy Life you choose, you'll discover it's the perfect companion for the journey.



## Designed for everyday life.

No matter how you look at it, the new Caddy Life impresses from every angle. Designed for life, its uncluttered contours and dynamic styling deliver a bold new stance. Clever design details such as the tailgate's integrated roof spoiler, elegantly sculptured rear light clusters, stylish new side indicators and a new range of alloy wheels help it to stand out – whether it's a family holiday or the regular school run.



01



02



03

- 01 Optional Bi-xenon headlights with cornering lights.
- 02 Standard side sliding doors with sliding windows and child locks. Optional privacy glass is also available.
- 03 Optional 17" Rockhampton alloy wheels.

## The new and improved interior.

Step inside the new Caddy Life and you'll find a quality car-like interior that's as attractive and ergonomic as it is rugged. Seating up to seven (including the driver), you'll feel totally at home in a driver's seat with 8-way adjustment, including height and lumbar support and a leather steering wheel that adjusts for reach and rake. To make every journey a pleasure, improved interior acoustics and a selection of radio and infotainment systems – including DAB+ radio and Bluetooth® are fitted as standard. Of course, safety is of paramount importance, so the driver and front passenger receive front and curtain airbags, height-adjustable headrests, 3-point seatbelts that adjust for height and seatbelt tensioners as standard. At the rear there's seating for up to a further five passengers along two rows of seats. These also feature curtain airbags, 3-point seatbelts and height-adjustable headrests as standard. For the protection of younger passengers, ISOFIX child seat mountings are fitted to the two outer seats on the three-seat bench in the second row. In a vehicle where flexibility is key, you'll find the rear passenger area includes a host of storage solutions and supportive, flexible seating that can be configured in a variety of positions, or completely removed to create a cavernous load area that's able to cope with all that life can throw at it.



**01** Standard above-cab storage shelf.  
**02** Standard open storage tray with 12v socket.





- 01 Optional leather multi-functional steering wheel.
- 02 Optional App-Connect system.
- 03 Optional Composition Media DAB+ radio system.

## The new infotainment systems.

When you get behind the wheel of the new Caddy Life, you'll be greeted by an ergonomic, highly-specified interior with quality finishing and an exclusive atmosphere. With the latest generation Caddy Life, we've taken things a step further by introducing a range of stylish and innovative radio and infotainment systems.

**Radio and navigation.** Devices include the standard Composition Colour touch-screen DAB+ radio system and optional Composition Media DAB+ radio system.

**Voice recognition.** Available as an option, the voice control system allows you to operate the telephone, navigation and audio functions without taking your hands off the steering wheel.

**App-Connect.** Available as an option, App-Connect allows you to operate special apps. The screen of your smartphone can be shown on the radio system's display.

**Connectivity package.** Available as an option, external media devices, such as MP3 players, can be connected via the USB port. Additionally, the standard mobile phone interface offers a Bluetooth® hands-free speaking system.

**Volkswagen Media Control.** Available as an option, your smartphone or tablet is turned into a remote control and able to operate the audio system functions from the rear seats via a Wi-Fi connection.

# The flexible passenger compartment.

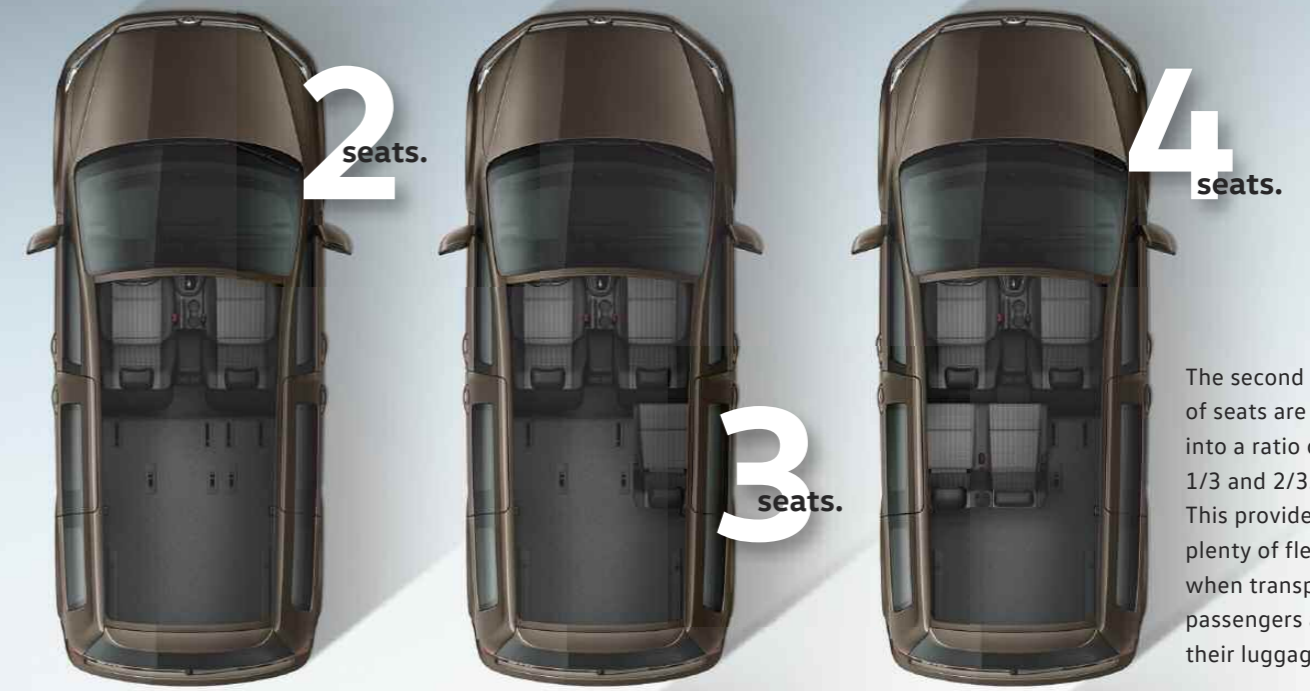
When you need to transport passengers and their luggage, we know that flexibility is key. With this in-mind, we've designed the new Caddy Life's passenger compartment to offer versatility in abundance with seats that can be folded, double-folded or completely removed. What's more, with the optional load-through facility, the interior load length increases to an amazing 3.1m. When you also consider the low rear sill height and flat load surface, you'll discover a passenger compartment that's as spacious as it is flexible.



Caddy Life features **5 seats** as standard.

Caddy Maxi Life features **7 seats** as standard.

Caddy Maxi Life offers an additional **340 litres** of luggage space.



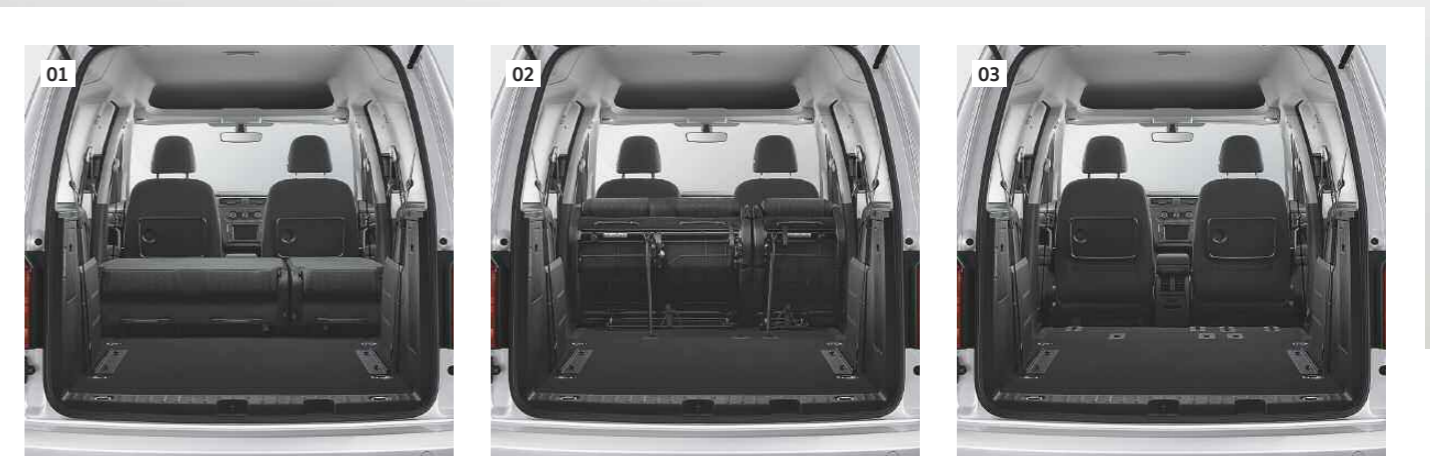
The second row of seats are split into a ratio of 1/3 and 2/3. This provides plenty of flexibility when transporting passengers and their luggage.

With the rear seats removed, the new Caddy Life boasts an impressive loading space volume of **3,030 litres**, while the Caddy Maxi Life offers a cavernous **3,370 litres**. This increases further when the front passenger seat is folded down.



Double-folding seats on the second row provide a loading space volume of **2,852 litres** in the Caddy Life and an amazing **3,192 litres** in the Caddy Maxi Life.

The three-seat second row bench features **ISOFIX attachment points** on the outer seats, allowing the safe attachment of two child seats.

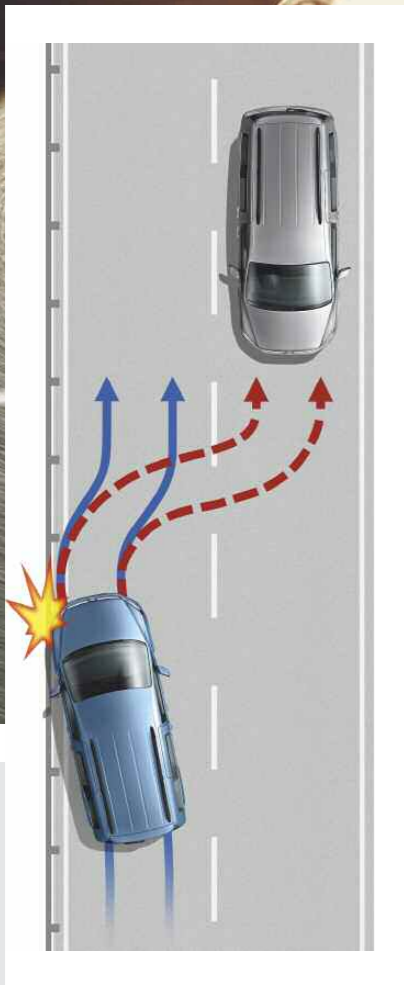


## Safety systems.

Your safety is vital, so we ensure that a long list of safety and security features are built into every vehicle we produce. Since we first introduced structural safety features on commercial vehicles over 35 years ago, Volkswagen has maintained a policy of continuous safety development. Every Volkswagen model incorporates a range of both active and passive safety features, to help ensure the safety and security of both you and your load.

With the vehicle's design contributing to safety, occupants are securely enclosed within a rigid safety cell with crumple zones to absorb crash energy, while the chassis and suspension are designed for excellent directional stability and handling. Features such as Anti-lock Braking System (ABS), Electronic Brakeforce Distribution (EBD), Electronic Stabilisation Programme (ESP), driver and passenger front and curtain airbags, electric seatbelt tensioners, Automatic Post-Collision Braking System and ISOFIX child seat mountings to the outer seats in the rear passenger area are fitted as standard.

For additional security and protection, an electronic immobiliser and remote central locking with dead locking and internal locking button are standard, while optional features such as anti-theft devices, front and rear parking sensors, Bi-xenon headlights, automatic rain-sensing wipers and front fog lights with integrated cornering lights all offer additional peace-of-mind.



**Automatic Post-Collision Braking System.** Standard on all Caddy Life and Caddy Maxi Life models, it triggers braking after a collision, with the aim of preventing secondary collisions.



**Electronic Stabilisation Programme (ESP).** Designed to prevent the vehicle from swerving in critical driving conditions by controlled and targeted intervention in the brake and engine management. This helps to maximise directional stability.



**Anti-lock Braking System (ABS).** Designed to prevent wheels from locking up and assist manoeuvrability of the vehicle under heavy braking.



**Traction Control System (TCS).** Aids smooth starts and acceleration by reducing wheel-spin. The system also incorporates the Electronic Differential Lock (EDL) and makes up part of the Electronic Stabilisation Programme (ESP).



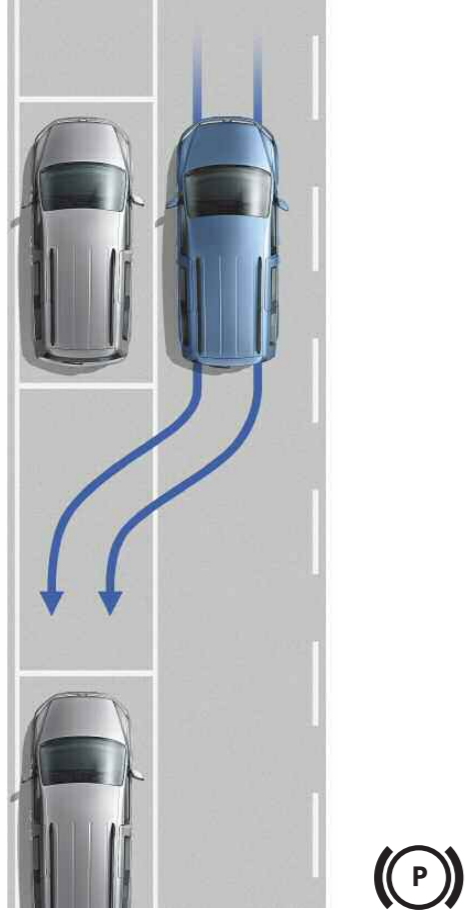
**Electronic Differential Lock (EDL).** Allows smooth starts on slippery or loose road surfaces. If one wheel starts to spin, EDL is designed to brake the wheel as necessary, directing power to the wheel with greater traction.



**Airbags.** Driver and passenger front and curtain airbags are standard for the first time, as are curtain airbags for rear passengers. They offer occupants improved protection in the event of head-on or side impacts.



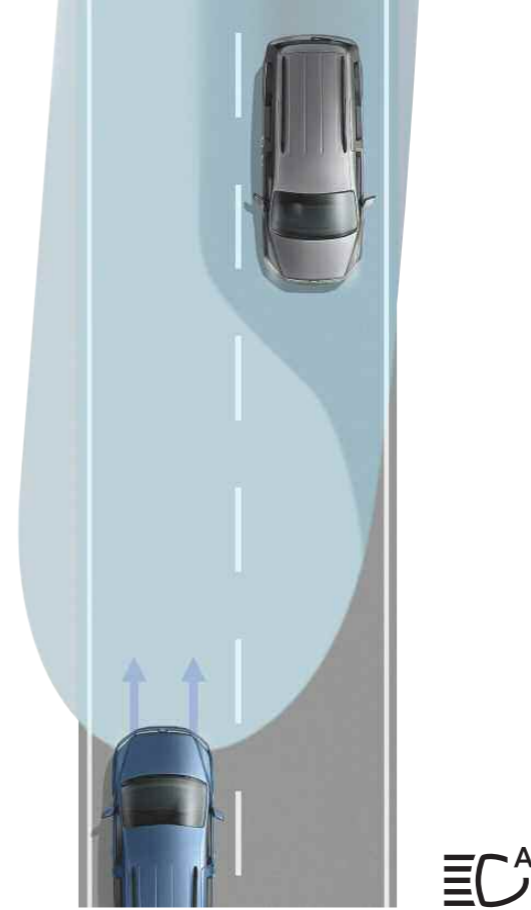
**Seatbelt warning.** The seatbelt warning reminds the driver that their seatbelt is not fastened. Audio and visual signals are used to request that the seatbelt is fastened before driving.



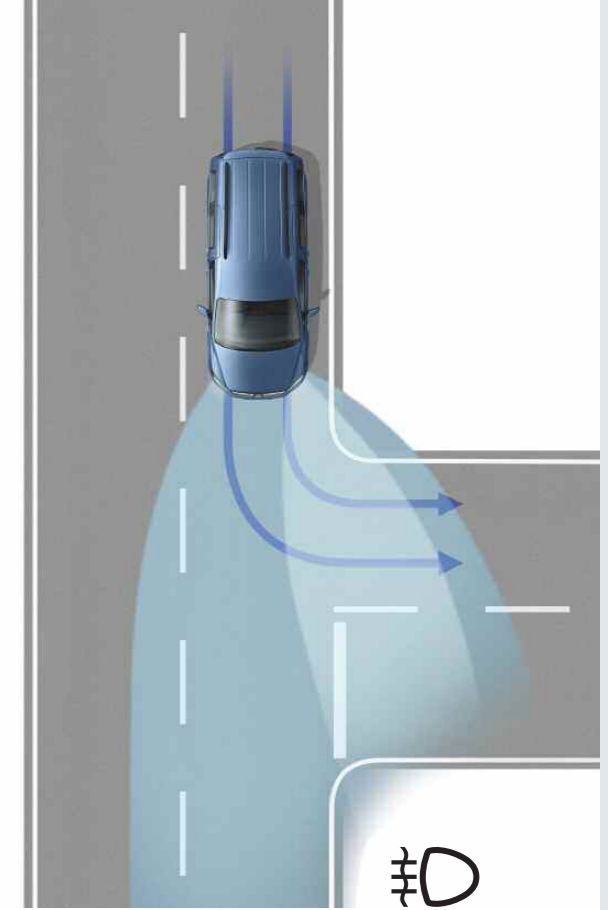
**Park Assist.**  
This useful option aids positioning into parking spaces. When reverse is engaged, the vehicle assumes control of the steering. All that's required of the driver is operate the clutch, accelerator and brake pedals.



**Adaptive Cruise Control (ACC).**  
Available as an option, ACC uses a front radar to measure the distance (up to 120m) and speed relative to vehicles driving ahead. It automatically regulates the pre-set distance. ACC also includes the **Front Assist area monitoring system with City Emergency Braking System**. This detects critical distances, warns of hazardous situations and when necessary, triggers emergency braking.



**High Beam Assist.**  
Available as an option, High Beam Assist automatically dips the headlights and prevents dazzle for oncoming vehicles, or vehicles travelling ahead. At night time at speeds of above 37mph, the system automatically switches the headlights to high-beam.



**Fog lights with integrated cornering lights.**  
Available as an option, these help to illuminate curves and bends in the road ahead. This aids the driver in spotting any obstacles where the vehicle is turning.

## Advanced driver assistance systems.

To help ensure every journey ends as stress-free as it begins, the new Caddy Life and Caddy Maxi Life are equipped with a number of new systems – all of which are activated in critical situations as a preventative measure. Add to this a variety of new and innovative driver assistance systems and you'll discover the Caddy Life and Caddy Maxi Life offer high levels of safety and peace-of-mind.



01 Optional parking sensor display.



02 Optional rear-view camera display.



**Cruise control including speed limiter.**  
Fitted as standard, cruise control maintains the selected speed, or limits the top speed to a value set by the driver.



**Driver Alert System.**  
Available as an option, the Driver Alert System registers deviation from normal steering patterns and uses visual and acoustic warnings to recommend that the driver takes a break.



**Brake Assist.**  
Fitted as standard, the system registers the speed at which the brake pedal is pressed. During emergency braking, it helps ensure full brake pressure is applied more quickly.



**Daytime running lights.**  
Fitted as standard, daytime running lights offer increased visibility. For extra driver convenience, the dipped beam headlights are automatically switched on when you start your vehicle.



**Hill Hold Assist.**  
Fitted as standard, the convenient Hill Hold Assist prevents your vehicle from rolling back when pulling away on an incline. The hold operates for approximately two seconds.



**Tyre pressure monitoring.**  
Fitted as standard, the tyre pressure monitoring display activates a warning signal to highlight significant changes in tyre pressure. This lets the driver know that the tyre pressure should be checked as soon as possible.





## The new Caddy Life engine range.

EURO  
6

### 2.0 litre TDI 102PS (75kW) BlueMotion.<sup>1</sup>

Combined cycle fuel consumption: 65.7mpg  
CO<sub>2</sub> emissions: 114g/km  
Maximum torque: 250Nm

### 2.0 litre TDI 102PS (75kW).<sup>1</sup>

Combined cycle fuel consumption: 54.3-61.4mpg  
CO<sub>2</sub> emissions: 136-122g/km  
Maximum torque: 250Nm

### 2.0 litre TDI 150PS (110kW).<sup>1</sup>

Combined cycle fuel consumption: 54.3-56.5mpg  
CO<sub>2</sub> emissions: 136-131g/km  
Maximum torque: 340Nm

<sup>1</sup> Standard EU test figures for comparative purposes and may not reflect real driving results. For full mpg and CO<sub>2</sub> data refer to page 32.

## Euro 6 is achieved by applying the following technologies.

### Selective Catalytic Reduction (SCR).

The SCR system uses AdBlue<sup>®</sup> urea solution to convert nitrogen oxide into nitrogen and water. If the vehicle is equipped with this kind of emission control system for diesel engines, the filler neck for the AdBlue<sup>®</sup> tank is located below the filler cap for the fuel tank. The AdBlue<sup>®</sup> consumption figures depend on individual driving style, the system's operating temperature and the ambient temperature that the vehicle is operated in. The vehicle is fitted with a separate tank for AdBlue<sup>®</sup> which holds approximately 9 litres.

### Exhaust Gas Recirculation (EGR).

In our diesel engines, exhaust gas recirculation is a technique that is used to reduce nitrogen oxide (NO<sub>x</sub>) emissions. EGR works by recirculating a percentage of the engine's exhaust gas back to the engine cylinders.

### Diesel Particulate Filter (DPF).

The DPF captures soot particles in the exhaust gas. Periodically, the soot particles are automatically burnt under high temperatures to regenerate the filter and maintain exhaust gas emissions.

## New TDI engines with the Euro 6 emissions standard.

The new Caddy Life offers a new engine generation featuring the Euro 6 emissions standard. All Caddy Life's include BlueMotion Technology as standard – consisting of Start/Stop, low rolling resistance tyres and regenerative braking. Depending on your engine, you'll receive a 5 or 6-speed manual gearbox as standard, while the non-BlueMotion engines can be specified with a dual clutch direct shift gearbox (DSG), providing a smooth power-flow when changing gear.

The Caddy Life's most economical engines ever.



## Dual clutch direct shift gearbox (DSG).

Our dual clutch direct shift gearbox (DSG) can be used as a fully automatic gearbox, or as a responsive quick-shift manual. The innovative dual clutch system facilitates an instant gear change, whilst helping to maintain swift and smooth progress.

# The Caddy Life BlueMotion.

While BlueMotion Technology is standard on every Caddy Life, if increased fuel economy and lower emissions are a concern for you, then the **Caddy Life BlueMotion** is the natural choice. Fitted with the Euro 6 2.0 litre 102PS TDI and utilising 250Nm maximum torque, the Caddy Life BlueMotion delivers an impressive combined cycle fuel consumption figure of **65.7mpg<sup>1</sup>** with CO<sub>2</sub> emissions of just **114g/km<sup>1</sup>**. It's the ideal balance of power, torque and economy.

**BLUEMOTION**

## BlueMotion equipment in addition to Caddy Life.<sup>2</sup>

**BlueMotion Technology.** Including Start/Stop, Hill Hold Assist, low rolling resistance tyres and regenerative braking.

**BlueMotion exterior badge.**

**Breakdown kit.** In lieu of spare wheel.

**Efficient engine management software.**

**Lowered ride height.** Helps to reduce drag and improve aerodynamics.



**BLUEMOTION**  
TECHNOLOGY

Standard on all Caddy Life engines, BlueMotion Technology consists of four key elements.

### Start/Stop.

Automatically turns the engine off when you stop and engage neutral. As soon as it's time to move, the engine starts up again. A simple, but highly-effective system.

### Hill Hold Assist.

On inclines, Hill Hold Assist helps you make a smooth and efficient getaway. It works by holding the brakes on for a short time, meaning you don't need to rev the engine unnecessarily.

### Low rolling resistance tyres.

These don't need to work as hard to get your vehicle moving (and keep it rolling) which is especially useful when shifting heavy loads. As friction between the tyre and the road is reduced the engine has to work less.

### Regenerative braking.

When you brake, the energy recuperation system uses momentum to turn the alternator and charge the battery. This way the system makes the most of the energy when you brake.

Up to:  
**65.7**  
mpg<sup>1</sup>  
combined cycle  
fuel consumption.

- 01 Hill Hold Assist – aids smooth starts on inclines.
- 02 The BlueMotion's car-like aerodynamic wing mirrors. Electrically heated and adjustable and finished in body-coloured paint.
- 03 Start/Stop – a key element of BlueMotion Technology.

<sup>1</sup> Standard EU test figures for comparative purposes and may not reflect real driving results. For full mpg and CO<sub>2</sub> data refer to page 32.

<sup>2</sup> Due to weight optimisation, certain Caddy Life features and options are not compatible. Please ask your Van Centre for further details.



# The new Caddy Life

When you need a vehicle with the ability to adapt to your way of life – be it private or commercial use, the new Caddy Life has the answer. Seating up to five (including the driver) as standard, it's as equally at home whether packed with passengers, or with the seats removed, loaded with bikes, luggage, camping gear and other bulky items that wouldn't easily fit into a conventional passenger vehicle. Access is through near-side and off-side sliding doors and a standard tailgate with heated window and wash-wipe. If preferred, glazed asymmetric rear wing doors can be specified as an option. With a comprehensive standard specification including, full wheel trims and sumptuous Kutamo cloth upholstery, the Caddy Life is ideal for users who desire more.



**01** Optional partition net for luggage compartment. An adjustable metal mesh partition grille is also available.

**02** Family package featuring comfort passenger seat and folding table on backrest of cab seats.

## The new Caddy Maxi Life.

The new Caddy Maxi Life features a near identical specification to the shorter Caddy Life, with the addition of the most valuable of commodities – more space. Seating up to seven (including the driver) as standard, it's 470mm longer and offers an impressive extra 340 litres of load capacity. For passengers, this means more space to relax, but most importantly, extra space for luggage or kit. What's more, for the perfect finishing touch, the Caddy Maxi Life features 16" Fortaleza alloy wheels. Offering a blend of comfort, flexibility and space, it's the perfect family vehicle.



# Caddy Life and Caddy Maxi Life standard equipment.

## Audio and communications.

Composition Colour DAB+ radio including AUX-IN, SD card slot, MP3 compatible CD player, six speakers and Bluetooth®.

## Interior – cab area.

Carpet floor covering.  
Centre armrest between driver and front passenger seats.  
Climatic manually controlled air conditioning with dust and pollen filter and air recirculation.  
Digital clock.  
Dimmable dashboard illumination.  
Driver seat with 8-way adjustment, including height and lumbar support.  
Electric front windows.  
Four drinks holders and storage compartment in centre console.  
Interior light in headlining.  
Kutamo cloth upholstery.  
Leather steering wheel, gearknob and gaiter.  
Lockable glovebox with illumination.  
Passenger seat with 8-way adjustment, including lumbar support.  
Reach and rake adjustable steering column.  
Rear-view mirror with anti-dazzle function.  
Servotronic speed-related power-assisted steering.  
Trip computer with multi-function display.  
Twin sun visors with vanity mirrors.

Under-seat storage compartment below driver and front passenger seats.  
12v sockets x 3 – dashboard front, dashboard top tray and luggage compartment.

## Interior – passenger area.

Carpet floor covering.  
Five seats, including the driver (Caddy Life).  
Folding luggage compartment cover.  
Four overhead nets.  
Kutamo cloth upholstery.  
Seven seats, including the driver (Caddy Maxi Life).  
Six load-lashing rings.  
Three-seat bench in second row – split/folding and removable with ISOFIX mountings to outer seats.  
Two door-activated interior lights.  
Two-seat bench in third row – removable (Caddy Maxi Life).

## Exterior.

Black protective side strips.  
Body-coloured door mirrors and handles.  
Body-coloured front and rear bumpers.  
Electrically heated and adjustable door mirrors.  
Fixed side windows in third row.  
Front fog lights.  
Heated windscreen.

Radiator grille with chrome finishing strip.  
Roof rails finished in Black.  
Sliding doors to near-side and off-side rear passenger compartment, with sliding windows and child locks.  
Tailgate with heated window and wash-wipe.  
60 litre fuel tank.

## Safety and security.

Airbags – driver and front passenger (with passenger deactivation), front side and curtain head protection to front and second row.  
Anti-lock Braking System (ABS).  
Automatic hazard light activation under emergency braking.  
Cruise control with speed limiter.  
Electronic Brakeforce Distribution (EBD).  
Electronic Differential lock (EDL).  
Electric seatbelt tensioners.  
Electronic Stabilisation Programme (ESP).  
Engine drag torque control (MSR).  
Halogen main headlights with range control and daytime running lights.  
Heated windscreen.  
Height-adjustable head restraints.  
Remote central locking with deadlocks, interior locking and two remote keys.

Seatbelt warning when not engaged.  
Thatcham category 1 approved immobiliser and alarm.  
Traction control system.  
Visibility pack including auto-dimming rear-view mirror, rain sensors with automatic wipers and intermittent control.

## Wheels and tyres.

Full wheel trims (Caddy Life).  
16" Fortaleza alloy wheels (Caddy Maxi Life).  
Full size spare wheel.  
Tool kit and jack.

## BlueMotion Technology.

Hill Hold Assist.  
Low rolling resistance tyres.  
Regenerative braking.  
Start/Stop system.



- 01 Climatic air conditioning for cab and rear passenger area.
- 02 Radiator grille with three chrome finishing strips.
- 03 Composition Colour DAB+ radio system.
- 04 Electric front windows.
- 05 Load-lashing rings.

- 06 15" full wheel trims. Standard on Caddy Life 102PS.
- 07 16" full wheel trims. Standard on Caddy Life 150PS.
- 08 16" Fortaleza alloy wheels. Standard on Caddy Maxi Life.
- 09 Front fog lights. Also available with optional cornering lights.

# Paint and upholstery.

Formulated to withstand the rigours of everyday life, the new Caddy Life's paint and upholstery are designed to stand the test of time. As you'd expect from any Volkswagen, exterior paints offer a smooth and tough finish, while the interior upholstery is made from high-quality materials that are both attractive and robust.

## Solid.



Candy White.



Cherry Red.

## Pearl effect.<sup>1</sup>



Deep Black.

## Metallic.<sup>1</sup>



Reflex Silver.



Indium Grey.



Honey Orange.



Fortana Red.



Blackberry.



Chestnut Brown.



Viper Green.



Bamboo Garden Green.



Starlight Blue.



Acapulco Blue.



**Kutamo.**  
Titanium Black/Moonrock Grey cloth.



**Kutamo.**  
Titanium Black/Blue cloth.



**Mesh.<sup>1</sup>**  
Titanium Black synthetic leather.



**Pilion.<sup>2</sup>**  
Titanium Black cloth.



## Key:

Standard  Optional

L – Caddy Life ML – Caddy Maxi Life BM – Caddy Life BlueMotion

<sup>1</sup> Available at extra cost. <sup>2</sup> Available as part of the family package.

**Please note:** Not all paint and upholstery combinations can be ordered together and in some instances certain combinations may incur extra cost. Not all paint finishes may be available for every trimline. Please check details and availability with your Volkswagen Van Centre at the time of ordering.

Print processes do not allow exact reproduction of paint and upholstery colours.

# Wheels and tyres.

## 15" wheel trim.

Standard on Caddy Life 102PS.



# 15"

### Caloundra.

6J x 15 alloy wheels with 195/65 R15 tyres.

## 16" wheel trim.

Standard on Caddy Life 150PS.



# 16"

### Bendigo.

6J x 16 alloy wheels with 205/55 R16 tyres.

## Fortaleza.

6J x 16 alloy wheels with 205/55 R16 tyres. Standard on Caddy Maxi Life.



## Rockhampton.

6J x 17 alloy wheels with 205/55 R17 tyres.



# 17"

### Canyon.

Silver/Anthracite. 6J x 17 alloy wheels with 205/55 R17 tyres.

## Canyon.

Silver/Black. 6J x 17 alloy wheels with 205/55 R17 tyres.

# Audio and communications.



### Composition Colour DAB+ radio system.

Standard on all Caddy Life models, the Composition Colour DAB+ radio system features a 5" TFT touch-screen colour display, USB port, Bluetooth®, SD card slot, AUX-IN interface, MP3 and WMA compatible CD drive, 4 x 20 watt output with six speakers and a dual tuner with PhaseDiversity for optimum radio reception.



### Composition Media DAB+ radio system.

The optional Composition Media DAB+ radio system features an increased touch-screen size of 6.33" with proximity sensor, USB port, Bluetooth®, SD card slot, AUX-IN interface, MP3 and WMA compatible CD drive, 4 x 20 watt output with six speakers and a dual tuner with PhaseDiversity for optimum radio reception. App-Connect is available as an option for this system.



### Discover Media satellite navigation system.

The optional Discover Media satellite navigation system builds on the strengths of the Composition Media DAB+ radio system by adding satellite navigation and a second integrated SD card slot compatible for map data. The system includes free updates for the pre-installed European maps through Volkswagen MapCare. App-Connect is available as an option for this system.

## Mobile online services.

### Optional App-Connect – Volkswagen apps.<sup>1</sup>

Download special Volkswagen apps to your mobile or tablet, such as 'Shared Audio', 'Drive & Track', 'Call & Remind', 'My Guide' and 'Sound Journey' to make every journey more pleasant and interesting. The apps provide you with information about your driving behaviour, guide you to parking spaces in the vicinity, make detailed suggestions about exciting destinations – all taking into account the weather and traffic data.

### Optional Car-Net Guide & Inform.<sup>2</sup>

Use Car-Net Guide & Inform to enhance your vehicle's optional Discover Media navigation system with online-based, up-to-date information services for greater convenience when travelling. For example, utilise real-time traffic information to avoid a sudden traffic jam, or refuel at the cheapest petrol station, or find a free parking space without the need for an infuriating search. Car-Net Guide & Inform helps you to reach your destination quickly and with the least amount of stress.



#### Online traffic information.

Save time and avoid stress with real-time traffic information, enabling you to avoid traffic jams by dynamically adapting your route.



#### Petrol stations.<sup>3</sup>

View the petrol stations with the cheapest fuel prices in your immediate vicinity. Your vehicle's fuel type is automatically identified.



#### Parking spaces.<sup>3</sup>

Save time and view available parking options, along with prices and opening hours.



#### Weather.

Stay up-to-date with the latest weather information while on the move.



#### Online special destination search.

Customised information about local services is sent directly to your touch-screen display.



#### News

Subscribe to personalised news categories and use the news feeds to stay up-to-date.



#### Online destination import.

Conveniently plan your driving destinations from home using the customer portal and retrieve them using the navigation system.



#### My special destinations.

Use the customer portal to save your preferred destinations while at home and import these into your vehicle's navigation system.



#### Vehicle status report.

Retrieve the latest service information and error messages from your vehicle.



#### Car-Net registration in a few easy steps:

1. Create your personal account on the Car-Net website.
2. You will receive a registration code (PIN).
3. Enter your vehicle identification number (VIN).
4. Enter the PIN into your vehicle's navigation system.

<sup>1</sup> Available as an option, App-Connect is only available in conjunction with the Composition Media DAB+ radio system or the Discover Media satellite navigation system. App-Connect comprises MirrorLink™, CarPlay™ and Android Auto™. The availability of these technologies can vary depending on the country in question. Please note that App-Connect is not currently supported by all mobile telephones on the market. Volkswagen is working closely with major smartphone producers to promote broader compatibility for App-Connect.

<sup>2</sup> Available as an option, mobile online services (Car-Net) is only in conjunction with the Discover Media satellite navigation system. You will also require a mobile device that is capable of acting as a mobile wireless hotspot. Car-Net services are only available with an existing mobile network contract or one to be agreed separately for this purpose between you and your mobile phone network provider and only within the respective mobile phone network coverage. Depending on your mobile phone tariff, receiving data from the internet may incur additional charges, particularly if you are using the phone abroad. Due to the amount of data needed when using Car-Net services, we strongly recommend signing-up to a data flat rate with your mobile phone provider. Use of Car-Net is governed in a separate agreement with Volkswagen AG online. After taking possession of the vehicle, you have 90 days in which to register the vehicle at [www.volkswagen-commercial-vehicles-carnet.com](http://www.volkswagen-commercial-vehicles-carnet.com). The availability of Car-Net services may vary depending on the country in question. These services are available for the duration of the contract term agreed and may be subject to changes in terms of content during the contract period. More detailed information on Car-Net is available at [www.volkswagen-commercial-vehicles-carnet.com](http://www.volkswagen-commercial-vehicles-carnet.com) and from your Volkswagen Commercial Vehicles Van Centre. Contact your mobile network provider for information regarding your mobile network tariff.

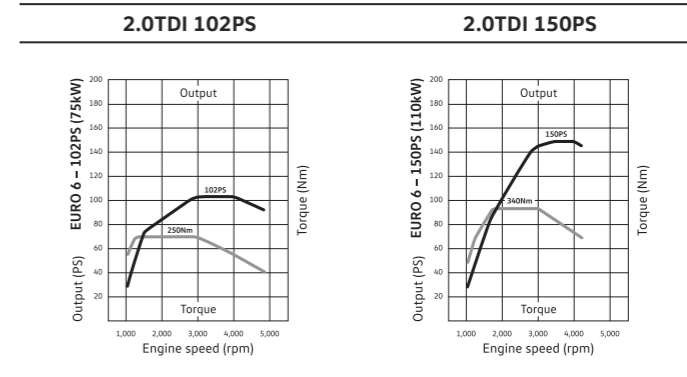
<sup>3</sup> Available at participating petrol stations and car parks.



## Engine and gearbox data.

Engine specifications.	2.0TDI 102PS	2.0TDI 150PS
Engine type	Diesel, transverse, water-cooled, in-line, variable turbine geometry turbocharger with intercooler	
Mixture preparation/injection method	Common-rail, direct injection	
EU exhaust emission standard	EURO 6	EURO 6
Number of cylinders	4	4
Cubic capacity	1,968cc	1,968cc
Output, PS at rpm	102 at 2,900-4,000	150 at 3,500-4,000
Torque, max. Nm at rpm	250 at 1,300-2,800	340 at 1,750-3,000
Fuel tank capacity	60 litre	60 litre
AdBlue® capacity	9 litre	9 litre
Diesel Particulate Filter (DPF)	●	●
5-speed manual gearbox	●	-
6-speed manual gearbox	-	●
6-speed dual clutch gearbox (DSG)	○	○
Front-wheel drive	●	●
BlueMotion Technology	●	●
Alternator	110A	110A
Battery	61Ah (330A)	61Ah (330A)

● Standard ○ Available - Not available





## Fuel consumption, performance and emissions.

Engine/transmission	Urban mpg (ltr/100km) <sup>1</sup>	Extra-urban mpg (ltr/100km) <sup>1</sup>	Combined mpg (ltr/100km) <sup>1</sup>	Acceleration 0-62 mph seconds	Top speed (where law permits) mph	CO <sub>2</sub> emissions g/km <sup>1</sup>
<b>Caddy Life.</b>						
2.0TDI 102PS EU6 BMT 5-speed manual	50.4 (5.6)	68.9 (4.1)	61.4 (4.6)	12.9	107	122
2.0TDI 102PS EU6 BMT 6-speed DSG	45.6 (6.2)	64.2 (4.4)	55.4 (5.1)	13.0	106	133
2.0TDI 150PS EU6 BMT 6-speed manual	46.3 (6.1)	65.7 (4.3)	56.5 (5.0)	9.9	121	131
2.0TDI 150PS EU6 BMT 6-speed DSG	48.7 (5.8)	61.4 (4.6)	55.4 (5.1)	9.9	119	133

### Caddy Life BlueMotion.

2.0TDI 102PS EU6 BlueMotion 5-speed manual	55.4 (5.1)	74.3 (3.8)	65.7 (4.3)	12.9	107	114
--	------------	------------	------------	------	-----	-----

### Caddy Maxi Life.

2.0TDI 102PS EU6 BMT 5-speed manual	49.6 (5.7)	67.3 (4.2)	60.1 (4.7)	13.3	107	124
2.0TDI 102PS EU6 BMT 6-speed DSG	44.8 (6.3)	62.8 (4.5)	54.3 (5.2)	13.4	106	136
2.0TDI 150PS EU6 BMT 6-speed manual	45.6 (6.2)	64.2 (4.4)	55.4 (5.1)	10.3	121	134
2.0TDI 150PS EU6 BMT 6-speed DSG	47.1 (6.0)	60.1 (4.7)	54.3 (5.2)	10.3	119	136

## Weights.

Engine/transmission	Gross vehicle weight kg	Axle load limit front/rear kg	Trailer weight braked 12%/ unbraked kg	Gross train weight kg	Unladen weight <sup>2</sup> kg	Payload <sup>3</sup> kg
<b>Caddy Life.</b>						
2.0TDI 102PS EU6 BMT 5-speed manual	2,255	1,150 / 1,200	1,500 / 720	3,700	1,619	636
2.0TDI 102PS EU6 BMT 6-speed DSG	2,280	1,170 / 1,200	1,500 / 740	3,780	1,655	625
2.0TDI 150PS EU6 BMT 6-speed manual	2,255	1,150 / 1,200	1,500 / 730	3,755	1,644	611
2.0TDI 150PS EU6 BMT 6-speed DSG	2,272	1,155 / 1,230	1,500 / 750	3,772	1,665	607

### Caddy Life BlueMotion.

2.0TDI 102PS EU6 BlueMotion 5-speed manual	2,000	1,150 / 1,100	1,300 / 690	3,300	1,613	387
--	-------	---------------	-------------	-------	-------	-----

### Caddy Maxi Life.

2.0TDI 102PS EU6 BMT 5-speed manual	2,330	1,150 / 1,200	1,500 / 720	3,700	1,747	583
2.0TDI 102PS EU6 BMT 6-speed DSG	2,360	1,170 / 1,200	1,500 / 740	3,780	1,783	577
2.0TDI 150PS EU6 BMT 6-speed manual	2,345	1,150 / 1,200	1,500 / 730	3,755	1,762	583
2.0TDI 150PS EU6 BMT 6-speed DSG	2,375	1,200 / 1,250	1,500 / 750	3,800	1,783	592

<sup>1</sup> Fuel consumption and CO<sub>2</sub> figures are obtained under standardised EU test conditions. This allows a direct comparison between different manufacturer models but may not represent the actual fuel consumption achieved in 'real world' driving conditions. In addition to the fuel efficiency of a vehicle, driving behaviour as well as other non-technical factors (such as environmental conditions, including weather and traffic) play a role in determining a vehicle's fuel consumption and CO<sub>2</sub> emissions. More information is available at [www.dft.gov.uk/vca](http://www.dft.gov.uk/vca). Other factors including trimline, extra equipment, options and accessories (wheels, tyres, etc.) may change vehicle parameters such as the weight, rolling resistance of the tyres and the aerodynamics and thus influence the fuel consumption, CO<sub>2</sub> emissions and driving performance values.

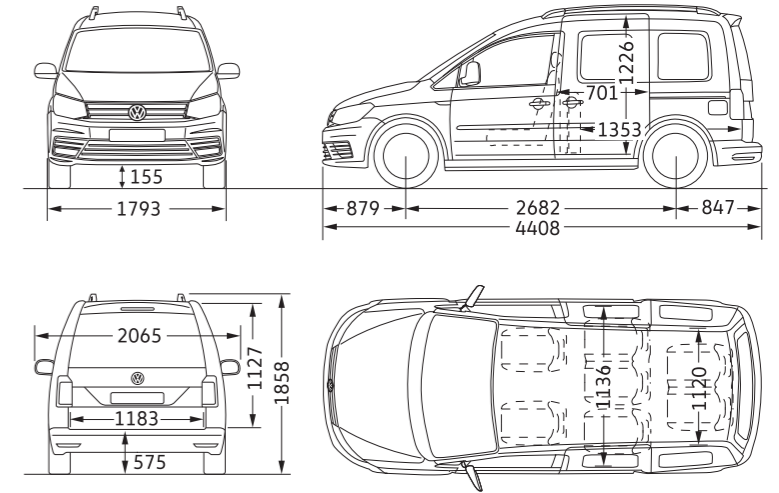
<sup>2</sup> Unladen weight includes approximately 90% fuel load and 75kg for driver.

<sup>3</sup> Payload = gross vehicle weight minus unladen weight. Quoted weights are for vehicles with standard specification. Unladen weight and payload may be influenced by trimline, factory options and Van Centre fitted accessories. Roof load limit: 100kg. Trailer nose weight: 80kg.

## Dimensions.

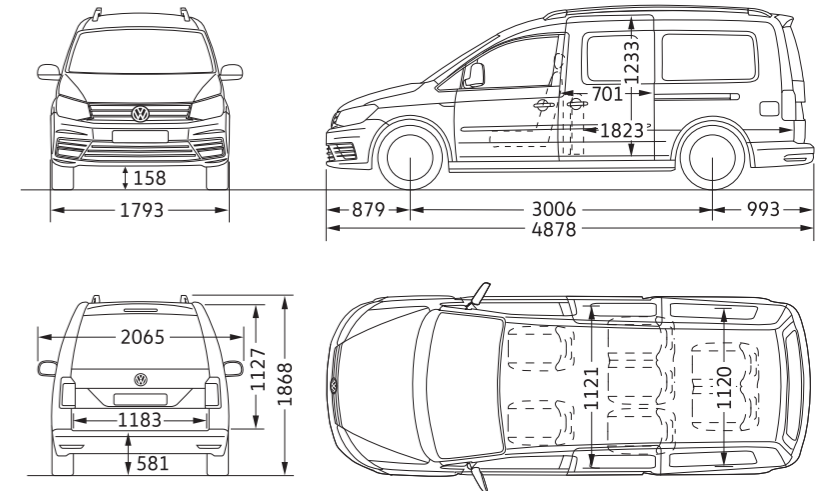
### Caddy Life.

Wheelbase	2,682
Load compartment	length 1,353
	width 1,161
	width between wheel arches 1,136
	height 1,226
Side sliding door	width 701
	height 1,084
Tailgate	width 1,183
	height 1,127
Turning circle (wall to wall)	11.1m



### Caddy Maxi Life.

Wheelbase	3,006
Load compartment	length 1,823
	width 1,121
	width between wheel arches 1,120
	height 1,233
Side sliding door	width 701
	height 1,084
Tailgate	width 1,183
	height 1,127
Turning circle (wall to wall)	12.2m



**Please note:** Vehicle drawings are not to scale. All dimensions are in millimeters (mm), unless otherwise stated. The height measurements listed may vary by ± 50mm depending on model and equipment fitted.

## Service and warranties.

### Finance and insurance.<sup>1</sup>

When it comes to paying for your vehicle, we've got options including Contract Hire and Finance Lease, or Hire Purchase. We can also offer you competitive insurance.

#### A choice of packages.<sup>2</sup>

Whether you prefer to lease your vehicle, with none of the concerns of ownership and the freedom to change models easily, or purchase outright to own the vehicle, we're here to help you consider your options.

You can go flexible, by choosing a payment plan that suits your finances, with options to reduce your monthly costs and your repayment period. Or choose a fixed monthly price that allows you to budget confidently for the longer term.

You can even include your road tax and servicing costs to arrive at one simple, all-inclusive payment. For more information, pick up a finance brochure, or ask at your Van Centre.

#### Volkswagen insurance.

Volkswagen Commercial Vehicles Insurance<sup>1</sup> provides cost-effective and comprehensive motor insurance<sup>3</sup>, as well as gap insurance<sup>4</sup>, which helps replace your vehicle and protect you from any financial shortfall if it's written off.

#### Insurance benefits include:

- Complimentary 5-day insurance cover to allow you to drive your vehicle away.
- All repairs performed by approved repairers.
- Volkswagen Genuine Parts<sup>®</sup> used on all repairs.
- Courtesy vehicle provided during repair following an accident.
- Cover for breakage and damage to glass.
- In-vehicle personal belongings cover (up to £250).
- Vehicle recovery.
- 90-day European Union cover.
- Legal expenses cover (up to £100,000).

For more information about motor and gap insurance products, ask at your Van Centre, call **0330 303 6942**, or visit [insurewithwcv.co.uk](http://insurewithwcv.co.uk).

<sup>1</sup>Business Vans Awards 2014: Best Service Package for Van Owners.

<sup>2</sup>Class 4 MOT only. This option is available to all new and used vehicles up to four years old or with less than 80,000 miles on the clock. Services must be used consecutively prior to vehicle reaching eight years old.

### Servicing and support.<sup>1</sup>

We're here to keep you moving, with our range of three award-winning<sup>5</sup> servicing and maintenance options, as well as free Roadside Assistance. Some exclusions apply. For more detail, please visit [www.volkswagen-vans.co.uk/aftersales](http://www.volkswagen-vans.co.uk/aftersales).

#### Pay monthly.

This option is available for vehicles that are less than 12 months old and have covered less than 10,000 miles. It makes budgeting easier by splitting the cost of servicing into fixed monthly payments – whether you want Service only, Service and Maintenance or Service, Maintenance and Tyres.

#### Pay upfront.<sup>6</sup>

If you can pay for more than one service upfront, we'll help by reducing your costs. Buy two upfront and you'll receive one interim and one full service at a discounted rate. Buy four and you'll receive two interim and two full services, with your next MOT also included.

#### Pay on demand.

If you're looking for freedom and flexibility with your servicing, it's good to know we're ready when you are. So with our third option, you can choose to pay for your services as and when you need them, with our National Service Pricing. Ask your Van Centre for an up-to-date pricing guide.

#### Roadside Assistance.

We understand the need to keep you mobile. That's why all new vans come with three-year, unlimited mileage roadside cover. Should the unexpected happen, one call gets you straight through to a team trained to help you through any breakdown or accident. Supporting you every day will be a team of vehicle technicians, fully-trained by Volkswagen and carrying the latest diagnostic equipment, specialist tools and parts.

#### Assistance benefits include:

- Assistance at home, by the roadside or place of work.
- Recovery to your preferred location.
- Onward travel, for you and your cargo.
- Cover 24 hours a day, 365 days a year.
- Free cover for three years (on new vehicles).
- Unlimited mileage.
- European cover.
- Option to extend cover beyond three years.

### Warranties.

You can count on us long after you purchase your Caddy Life, thanks to its comprehensive three-year, 100,000 mile warranty. While your Caddy Life is under warranty, we'll fix any defect in manufacture or workmanship free of charge, even if you purchase and service the vehicle at different Van Centres. Some exclusions apply and the vehicle must be cared for using the guidance in your owner's manual. For more detail, please visit [www.volkswagen-vans.co.uk/aftersales](http://www.volkswagen-vans.co.uk/aftersales).

#### Extended warranty.

You can also extend your warranty beyond the three-year, 100,000 mile period, choosing either Comprehensive or Major Component cover, as a one-off or monthly payment. For more detail of cover levels, along with terms and conditions, please visit [volkswagenwarranty.co.uk](http://volkswagenwarranty.co.uk) where you'll also be able to obtain a quote and purchase an extended warranty.

#### Paint and body warranty.

Your Caddy Life's exterior paintwork is covered against manufacturing defects for a period of three years, while its body sections and panels are covered against rusting through from the inside for 12 years. Some exclusions apply and the vehicle must be cared for using the guidance in your owner's manual.

<sup>1</sup>Volkswagen Commercial Vehicles Insurance and Volkswagen Commercial Vehicle Financial Services are trading names of Volkswagen Financial Services (UK) Limited, Brunswick Court, Yeomans Drive, Blakelands, Milton Keynes MK14 5LR, which is authorised and regulated by the Financial Conduct Authority (FCA). Registered in England and Wales No. 2835230. Volkswagen Financial Services (UK) Limited financial services register number is 311988.

<sup>2</sup>An offer of finance depends on certain conditions. Finance subject to status. Available to 18s and over. Terms and conditions apply. Volkswagen Commercial Vehicle Financial Services.

<sup>3</sup>Volkswagen Commercial Vehicles Motor Insurance from Volkswagen Insurance Service (Great Britain) Limited is sold and administered by Ageas Retail Limited. Registered in England and Wales No. 1324965. Registered Office: Ageas House, Hampshire Corporate Park, Templars Way, Eastleigh, Hampshire SO53 3YA. Ageas Retail Limited is authorised and regulated by the Financial Conduct Authority, registration number 312468. Volkswagen Insurance Service (Great Britain) Limited is an appointed representative of Volkswagen Financial Services (UK) Limited.

<sup>4</sup>Volkswagen Commercial Vehicle Insurance gap insurance is underwritten by MAPFRE Asistencia Compañía Internacional de Seguros y Reaseguros Sociedad Anonima authorised by Dirección General de Seguros y Fondos de Pensiones and subject to limited regulation by the Financial Conduct Authority and Prudential Regulation Authority, number 203041. Details about the extent of their regulation by the Financial Conduct Authority and Prudential Regulation Authority are available on request. MAPFRE Asistencia Compañía Internacional de Seguros y Reaseguros Sociedad Anonima is incorporated and registered in the Kingdom of Spain and registered as a foreign company in the United Kingdom with company number FC021974, acting through its UK branch with branch number BR008042 and whose principal office is at Alpha House, 5th Floor, 24A Lime Street, London EC3M 7HS. Volkswagen Commercial Vehicle Insurance gap insurance is administered by Abraxas Insurance Administration Services Limited, who is authorised and regulated by the Financial Conduct Authority with FCA number 308702 and who acts on behalf of the Insurer. Abraxas Insurance Administration Services Limited is registered in England and Wales with company number: 02928787 and whose registered office is at One Glass Wharf, Bristol BS2 0SX. Volkswagen Financial Services (UK) Limited is authorised and regulated by the Financial Conduct Authority (FCA). Authorisation details can be checked on the Financial Services register at [www.fca.org.uk/firms/systems-reporting/register](http://www.fca.org.uk/firms/systems-reporting/register) or call 0800 111 6768. Volkswagen Financial Services (UK) Limited is not part of the same corporate group as MAPFRE Asistencia Compañía Internacional de Seguros y Reaseguros Sociedad Anonima and Abraxas Insurance Administration Service Limited.

### The Van Centre network.



Our **dedicated Van Centre network** is at the core of everything we do and is always there to help. As a separate brand within the Volkswagen Group, it makes sense to make use of your nearest Van Centre – it's full of experts who understand your vehicle better than anyone else and can help you to get the most out of it.

Over **70 Van Centres** and **24 Authorised Repairers**, means you're only around 45 minutes on average from our door.



VWMY16CADPC2

This brochure supersedes all previous publications.

Issue: November 2015

[www.volkswagen-vans.co.uk](http://www.volkswagen-vans.co.uk)

**Please note:** Print processes do not allow exact reproduction of the paint and upholstery colours. Some of the vehicles shown are European specification and may be fitted with optional equipment or accessories that are available at extra cost, or do not reflect current specification. All data and specifications are in accordance with information available at the time of going to print and are subject to change without notice. Vehicles not currently in UK stock and customer order vehicles may take a number of weeks for delivery. Certain combinations of vehicle specifications and factory-fitted extras are not compatible and therefore all orders received are subject to confirmation. Models, factory fitted-options and paint and upholstery options are subject to availability. Please check details and availability with an authorised Volkswagen Van Centre at the time of ordering.