

# Citan

Panel van and crew van



Mercedes-Benz

Vans. Born to run.



# A doer. From doers. For doers.

With the Citan panel van and crew van, Mercedes-Benz presents you with an urban delivery van for tradespeople and business owners which has been specifically tailored to the many challenges faced in everyday urban traffic: robust, flexible and cost-efficient to operate.

The Citan is an urban hero. The vehicle concept is totally compelling, with its large load compartment yet compact exterior dimensions, excellent driving dynamics, great agility and manoeuvrability. And in terms of economic efficiency, too, the Citan is an asset to your business – thanks, among other things, to its low operating costs, optimum levels of uptime, attractive pricing and exceptionally flexible financing options. With Mercedes-Benz MobiloVan<sup>1</sup> providing you with FREE roadside assistance for up to 30 years, we aim to keep you and your business moving. The state-of-the-art, high-torque engines perform sterling service and thanks to the innovative BlueEFFICIENCY technology offering fuel consumption up to 67.3 mpg<sup>3</sup> they can contribute to the economic success of your company.<sup>4</sup> The finely tuned suspension and the high-quality interior with its ergonomic operating system make your work easy. With the optionally available Interior and Exterior Chrome packages the Citan also boasts new design highlights.

In short: the Citan has everything you expect from an urban delivery van with the three-pointed star. You can find out precisely what during a test drive – after all, every hero needs a partner. Mercedes-Benz Vans. Born to run.

<sup>1</sup> Applies to vehicles purchased from an authorised Mercedes-Benz Dealer, originally destined for and first registered in the UK on or after 01.10.2012. To extend your coverage beyond the initial three years of warranty cover and up to a maximum of thirty years, have your vehicle serviced at one of our approved workshops and it will automatically be renewed until the next service is due. Terms and conditions apply. <sup>3</sup> On the combined cycle. Measured for the Citan panel van, long-wheelbase version (A2), perm. GWW 1950 kg, 108 CDI and 109 CDI engine, with BlueEFFICIENCY package. Full information on fuel consumption and CO<sub>2</sub> emissions is to be found on page 33. <sup>4</sup> The BlueEFFICIENCY package is an option or standard equipment, depending on the selected vehicle variant. The BlueEFFICIENCY package is standard equipment for the petrol engine.









# Contents.

<b>The Citan</b>	<b>2</b>	<b>Equipment</b>	<b>22</b>
		Paint finishes and seat covers	22
<b>Interior</b>	<b>6</b>	Standard and optional equipment	23
Comfort and functionality	6	Genuine accessories	27
<b>Technical details</b>	<b>8</b>	<b>Services</b>	<b>28</b>
Engines and chassis	8		
BlueEFFICIENCY	10	<b>Technical data, fuel consumption and CO<sub>2</sub> emissions</b>	<b>32</b>
<b>Load compartment concept</b>	<b>12</b>		
Areas of use and versatility	12	<b>Tyre performance</b>	<b>34</b>
Panel van	16		
Crew van	18	<b>Test drive</b>	<b>35</b>
<b>Safety</b>	<b>20</b>		





# It knows what matters inside.

The Citan combines comfort with practicality. The Citan's interior provides comfortable surroundings and ideal working conditions. Comfort and practicality come together as one, impressing on every level from the moment you get in to the moment you get out. The manually adjustable driver's seat and the height-adjustable steering wheel allow you to adopt just the right position for optimum ride comfort. All controls are laid out ergonomically and within easy reach, and can be operated intuitively. The easily legible instrument cluster in a new design further enhances the interior.

The practical stowage concept offers plenty of functional stowage space, which is also very easily accessible while on the move thanks to the straight handbrake lever<sup>1</sup> in the centre console, for example. The standard heating and ventilation system makes for a pleasant working environment.



The optionally available Interior Chrome package enhances the look of the cockpit. The heating and ventilation system with optional integral semi-automatic air conditioning provides for a constantly pleasant interior climate, while the dual clutch transmission<sup>2</sup> combines the comfort of a 6-speed automatic transmission with the driving dynamics of a manual transmission.



The standard stowage compartment above the windscreen allows fast access to papers and small items.

<sup>1</sup> The handbrake lever shown is expected to be available from the 1<sup>st</sup> quarter of 2016.

<sup>2</sup> Expected to be available from the 1<sup>st</sup> quarter of 2016.

# Work must be fun at the wheel, too.

When high dynamism, low consumption and impressive handling all come together, driving is sheer pleasure: you can enjoy the Citan's impressive agility and manoeuvrability in crowded city traffic and its power on country roads and motorways – the Citan rises to the occasion just as your work requires.

In order for the Citan's output to suit your needs effectively, there is a range of powerful diesel engines with outputs of **75 hp** (55 kW), **90 hp** (66 kW) and **110 hp** (81 kW) as well as a cutting-edge **114 hp** (84 kW) petrol engine to choose from. The innovative BlueEFFICIENCY technology enables the state-of-the-art engines to contribute to your company's economic efficiency.<sup>1</sup> Virtually loss-free power transmission is ensured by a 5- or 6-speed manual transmission, depending on the engine variant concerned. A 6-speed dual clutch transmission<sup>2</sup> is optionally available for the petrol engine.

All the chassis components – from the standard-fit power steering and the spring/damper adjustment to the rear-axle location – are precisely coordinated to maximise comfort and give you complete control of the Citan's power at all times. So there are no compromises in terms of handling and driving enjoyment – even when manoeuvring, cornering or carrying heavy loads.

<sup>1</sup> The BlueEFFICIENCY package is optional for diesel variants and standard for petrol variants. <sup>2</sup> Expected to be available from the 1<sup>st</sup> quarter of 2016.









# It pays to use the Citan. In the short and long term.

The Mercedes-Benz brand sees it as its duty to ensure that its design for the Citan, as with all other vehicles, helps shape the future of mobility in a responsible and sustainable way. Particularly in urban traffic, the Citan fulfils this aspiration to exemplary effect – and thanks to innovative BlueEFFICIENCY technology it cuts CO<sub>2</sub> output and fuel consumption<sup>1</sup>, leading the way by good example from as low as 67.3 mpg<sup>2</sup>. The Citan is an asset in economic terms, too, due to its attractive price level and low operating costs (e.g. as a result of low fuel consumption and maintenance intervals of up to 24,000 miles). Optimum up-time is just as important to Mercedes-Benz Vans as it is to you. We underline this with the lifetime<sup>3</sup> mobility guarantee Mercedes-Benz MobiloVan<sup>4</sup>. So the Citan makes a significant contribution to long-term and sustainable profitability. Journey after journey.

Advanced engines, electrically assisted power steering and a shift point indicator all help promote economical driving. Plus you can further boost your vehicle's cost-effectiveness with the BlueEFFICIENCY package<sup>1</sup>.

---

Battery and alternator management

---

ECO start/stop function

---

Tyres with optimised rolling resistance<sup>5</sup>

---

<sup>1</sup>The BlueEFFICIENCY package is optional or standard, depending on the vehicle variant chosen. The BlueEFFICIENCY package is standard with the petrol engine. <sup>2</sup>On the combined cycle. Measured for the Citan panel van 108 CDI and 109 CDI long, with BlueEFFICIENCY package. The full information on fuel consumption and CO<sub>2</sub> emissions can be found on page 33. <sup>3</sup>Up to a maximum of 30 years, subject to regular servicing at an authorised Mercedes-Benz workshop. <sup>4</sup>Applies to vehicles initially registered on or after 01.10.2012. <sup>5</sup>Not available for vehicles with uprated payload.



# Ready for any challenge.

The Citan handles the daily routine with impressive flexibility. While it can't actually do the work for you, it can make your job a lot easier – whatever your line of business. You won't want to be without its intelligent load compartment concept. Its merits include easy loading and unloading as well as flexible use of its great transport capacity.

The Citan panel van impresses with its robust design, load securing facilities and good access to the cargo. The optional folding grille partition creates even more capacity, and can extend the loading length in next to no time.

The Citan crew van offers five comfortable seats for crew transport and when the bench seat is folded down it has 3.7 m<sup>3</sup> of load compartment capacity<sup>1</sup> for moving cargo.



The optional folding load retention grille provides greater loading length in the panel van and protects the occupants.



With the FOLD & LOAD folding rear bench seat and the load retention grille the crew van offers both options – room for up to five occupants or a high transport capacity.

<sup>1</sup> When the bench seat is not folded down, the load compartment capacity of the Citan crew van is 2.4 m<sup>3</sup>.





# The first hero available in three lengths.

The Citan keeps all your options open: as a specialist for different sectors it is characterised by its high suitability for different application profiles – right from the outset. With three different loading lengths<sup>1,2</sup> of up to 2137 mm and with a loading height of 1258 mm the Citan panel van offers you a transport capacity of up to 3.8 m<sup>3</sup> with a payload capacity between 435 kg and 770 kg.

In order to ensure the generous cargo space can be used to the maximum, up to two sliding doors<sup>3</sup> and asymmetrical twin rear doors which open up to 180 degrees afford unrestricted access to the load compartment. The optional ladder flap<sup>4</sup> for bulky items plus many additional items of equipment offer even more flexibility and freedom. Whatever you need to carry, this van fits the bill.



Efficient loading and unloading: with three different lengths<sup>1</sup> and two sliding doors,<sup>3</sup> the Citan offers plenty of space for the most diverse requirements and transport tasks.

<sup>1</sup> The Citan crew van is only available in extra-long vehicle length. <sup>2</sup> When the co-driver's seat is folded down the loading length in the panel van is up to 2886 mm. <sup>3</sup> The two sliding doors are part of the standard specification for the Citan crew van. <sup>4</sup> The ladder flap is not available for the vehicle length extra-long.











# It can take a lot. And give a lot.

Providing lots of space for tools and materials means the Citan also shows responsibility for safety. In the panel van the driver and co-driver are protected by a steel bulkhead as part of the load-securing concept.

The cargo carried can be secured to standard-fit load-securing rings on the load compartment floor. Wooden side panelling is available as an option to protect the metal surfaces and improve sound and heat insulation – ensuring delicate goods also arrive in good shape. And the standard wooden floor not only makes loading, but also cleaning easier.



The Citan panel van's load compartment is designed with flexibility and safety in mind. An optional cargo retention grille shields the driver from sliding loads without hiding the load from view.





# The ultimate all-rounder.

The crew van<sup>1</sup> is ideally suited for the combination of passenger transport and load transport. Behind the five seats it offers 2.4 m<sup>3</sup> of load capacity for materials or luggage. The two standard glazed load compartment sliding doors facilitate easy access to the passenger compartment or the load compartment<sup>2</sup>.

The standard rear bench seat folds with a 1/3 to 2/3 split – this allows larger objects to be transported. Even more freedom is created by the optional one-piece FOLD & LOAD rear bench seat, which becomes a load retention grille when folded. This enables the load capacity to be extended to up to 3.7 m<sup>3</sup>.



The Citan crew van combines comfortable transport options and highly flexible use of the load compartment. The optional one-piece FOLD & LOAD rear bench seat can be turned into a load retention grille in just a few steps when required, significantly enlarging the load compartment to up to 3.7 m<sup>3</sup>.

<sup>1</sup> The crew van is only available for extra-long vehicles. <sup>2</sup> From the C- to the D-pillar and on the rear door the crew van features side parts consisting of sheet metal panelling as standard. As an option, the crew van can also be ordered with all-round glazing.



01

**Electronic Stability Program ADAPTIVE ESP®.** This electronic dynamic handling control system supports the driver in critical driving situations by improving the vehicle's directional stability.

02

The **optional thorax bags** in the backrests offer improved thorax protection for the front occupant in the event of severe side collisions.

03

**Reversing aid.** The optionally available audible reversing aid with distance measurement makes parking easier and helps to prevent damage to vehicles. Additional support is available from the optional reversing camera.

04

**Light and rain sensor.** The optional light and rain sensor automatically adapts the lights and the wipe interval to suit the ambient light and weather conditions.

05

**Daytime running lamps.** The standard-fit daytime running lamps are switched on automatically when the engine is started, to make it easier for other road users to see the vehicle.



# Big on safety.

The Citan also leads the way when it comes to safety: fitted with ADAPTIVE ESP® (Electronic Stability Program), Brake Assist and ABS as standard, it impresses with short stopping distances and good response in the wet. A tyre pressure monitoring system is also available as an option.

When it comes to the crunch, you can never have enough safety. That's why the Citan has height-adjustable 3-point seat belts with belt tensioners and belt force limiters – to provide effective restraint should the worst come to the worst – while the seat belt reminder for the driver and co-driver<sup>1</sup> emits both audible and visible warnings.

The Citan is equipped as standard with daytime running lamps, Hill-Start Assist and a driver's airbag. The optional co-driver's airbag and the thorax bags can further reduce the risk of injury in the event of an accident. Additional safety-related equipment, such as a light and rain sensor, a reversing aid and a reversing camera, are also available as options. In view of the Citan's desirability, an optional alarm system is also available to protect your vehicle and improve security.

<sup>1</sup> Only available for the co-driver in conjunction with thorax bags for the driver and co-driver.

Note on illustration: The figure shows simulated activation of various airbags (maximum deployment) – for illustrative purposes only.

# Paint finishes and seat covers.

## Standard paint finishes



arctic white



dolphin grey



amarena red



ink blue



pebble grey



limonite brown metallic

## Metallic paints<sup>1</sup>



dravite black metallic



bornite red metallic



tenorite grey metallic



brilliant silver metallic



kornelite blue metallic

## “Lima” black fabric upholstery



The seat covers, skin-friendly and dirt-resistant, are tastefully matched to the vehicle interior.

<sup>1</sup> Metallic paints are available as an option.

# Standard and optional equipment.

## Comfort.



- **Front power windows, with convenience feature on the driver's side<sup>1</sup>.** The windows can be opened and closed electrically – at the flick of a switch on the driver's side.



- **Folding co-driver's seat.** The co-driver's seat backrest in the Citan panel van can be folded down, creating a loading length of up to 2886 mm.



- **Armrest with stowage compartment.** The soft armrest on the centre console houses a generously-sized stowage compartment that can hold a 1.5-litre bottle.



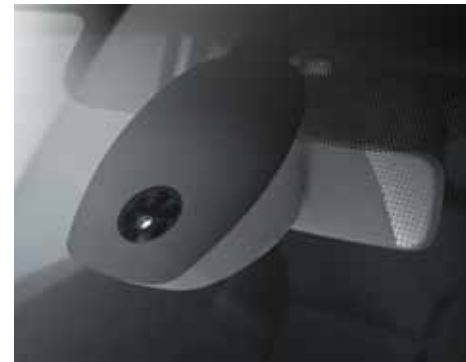
- **Exterior mirrors heated and electrically adjustable (with temperature sensor).** These reliably prevent icing and misting up.



- **Radio.** The LCD radio features an Aux-in and USB interface. A CD player is available as an option. It enables Bluetooth® telephony and audio streaming.



- **Navigation system incl. radio.** This system with integrated touchscreen display and DAB+ radio is installed in the centre console. With Bluetooth®, USB port, AUX interface and micro SD card reader.



- **Light and rain sensor.** The light and rain sensor automatically adapts the lights and the wipe interval to suit the ambient light and weather conditions.



- **Semi-automatic air conditioning.** The heating and ventilation system with integral air conditioning ensures a constant pleasant interior climate, reduces fogging of windows and protects against dust, particulate matter, pollen and exhaust fumes.

● Standard equipment    ○ Optional equipment

# Standard and optional equipment.

## Functionality.



○ **Ladder flap<sup>1</sup>**. The ladder flap at the rear of the roof allows very long items to be transported.



○ **Folding co-driver's seat and cargo retention grille<sup>2</sup>**. This creates a level area and an enlarged load compartment with a length of up to 2886 mm, depending on the vehicle length.



○ **FOLD & LOAD rear bench seat with load retention grille<sup>3</sup>**. The Mixto offers both options – room for up to five occupants or a high transport capacity.



● **Plastic floor in the passenger and load compartment<sup>4</sup>**. The low-noise plastic floor in the passenger and load compartment is easy to clean and protects the floor against scratches and dents.



○ **Wooden floor in the load compartment**. Protects the load compartment floor, makes loading and cleaning easier and improves insulation.



○ **Sliding door, right, with window<sup>5</sup>**. Right-hand-side sliding door with convenient opening, window and wide access step for ease of access.



○ **Glazed tailgate<sup>1</sup>**. The glazed tailgate with a rear-window heating/wiper system and chrome trim strip<sup>6</sup> ensures good visibility and makes reversing and manoeuvring easier.

● Standard equipment    ○ Optional equipment

<sup>1</sup> Not available for extra-long models. <sup>2</sup> Only available for the Citan crew van. <sup>3</sup> Only available for the Citan crew van. <sup>4</sup> Standard equipment applies to the Citan crew van. Also available as optional equipment for the Citan panel van. <sup>5</sup> Not available for the compact Citan panel van, right- and left-hand sliding door with window are standard equipment for the Citan crew van. <sup>6</sup> Part of the Exterior Chrome package.



# Standard and optional equipment.

## Safety.



- **Electronic Stability Program (ADAPTIVE ESP®).** ADAPTIVE ESP® assists the driver in critical driving situations, contributing to enhanced safety.



- **Driver's airbag.** The driver's airbag is standard. A co-driver's airbag and two thorax bags are optionally available.



- **Reversing camera.** The camera with its display in the rear-view mirror offers a view of the area to the rear of the vehicle and helps when parking and manoeuvring in restricted spaces. Auxiliary lines are displayed to assist in manoeuvring.



- **Load-securing rings.** Several load-securing rings attached to the load compartment floor enable the load to be secured using tensioning straps.



- **Daytime running lamps** and ○ **halogen front fog lamps.** The standard automatic daytime running lamps enhance visibility. The optional halogen front fog lamps improve the driver's vision in fog. The optional Exterior Chrome package enhances the look of the vehicle with a chromed radiator grille.



- **Automatically activated hazard warning lights during emergency braking.** Enhance active safety in hazardous situations.



- **Reversing aid.** The audible reversing aid allows precise manoeuvring and can help to prevent vehicle damage.

● Standard equipment    ○ Optional equipment

# Further standard and optional equipment.

<b>Lighting</b>	
3rd brake light	●
Interior lamp on D-pillar with switch, 3 settings	●
<b>BlueEFFICIENCY package<sup>1</sup></b>	
Battery and alternator management	● ○ <sup>1</sup>
ECO start/stop function	● ○ <sup>1</sup>
Tyres with optimised rolling resistance <sup>2</sup>	● ○ <sup>1</sup>
<b>Electrics and radio</b>	
Hill-Start Assist	●
Radio with USB and Aux-in	●
Power-assisted steering	●
<b>Rear doors</b>	
Twin rear door (180°) without windows	●
Twin rear door (180°) with window with washer system	○
<b>Heating and blower</b>	
Heated driver's and co-driver's seat <sup>3</sup>	○
Manually operated air conditioning system	○
Air drying for windscreen/side windows	●
Pollen filter	●
<b>Packages</b>	
Exterior Chrome package	○
Interior Chrome package <sup>4</sup>	○
Paint package	○
Exterior mirrors painted in vehicle colour, trim over tail lamp painted in vehicle colour, bumpers painted in vehicle colour	
<b>Safety</b>	
Alarm system	○
Belt warning for the driver's seat	●
Central locking	●
<b>Mirrors</b>	
Aspherically curved mirror glass (exterior mirrors)	●
Rear-view mirror	○
<b>Bulkhead</b>	
Full-width bulkhead <sup>5</sup>	●
Bulkhead panelling <sup>5</sup>	○
<b>Miscellaneous</b>	
6-speed dual clutch transmission (for the petrol engine) <sup>6</sup>	○
Stowage compartment between the front seats	●
Stowage compartments in the front doors	●
Bodybuilder interface/special module	○
Outside temperature display	●
Leather steering wheel	○
Lockable glove compartment	●
Light-alloy wheels, 38.1 cm (15-inch)/40.6 cm (16-inch)	○
Sunblind with a document pocket on the driver's/co-driver's side	●
Sun visor in windscreen behind the rear-view mirror	●
Heat insulating glass all round	●

● Standard equipment    ○ Optional equipment

<sup>1</sup> Standard for BlueEFFICIENCY models. The BlueEFFICIENCY package is standard for the petrol engine.    <sup>2</sup> Not available for vehicles with uprated payload.

<sup>3</sup> The heated seats are not available for the folding co-driver's seat.    <sup>4</sup> Only available in conjunction with leather steering wheel and lockable glove compartment.

<sup>5</sup> Only available for the Citan panel van.    <sup>6</sup> Expected to be available from 1<sup>st</sup> quarter of 2016.

# Genuine accessories.



**Basic roof carrier, standard, 2 cross-bars<sup>1</sup>.** The robust square bars form the basis for a variety of roof-mounted accessories. For fastening at existing points in the roof channel.



**Ladder rack<sup>1</sup>.** Enables you to transport a wide variety of ladders safely on the vehicle roof. Only in conjunction with top carrier.



**Rigid trailer coupling.** For easy towing of heavy loads. Fitted by your Mercedes-Benz dealer.



**Mud flaps.** These flaps protect against dirt and scratching in the area of the side-walls, rear end and underbody.



**All-season floor mats.** Made of robust washable plastic for the toughest demands. Modern design with recessed sector and raised border. Available in black. Matching passenger compartment mats are available separately.



**Seat covers.** Perfect fit in original design: The colours and patterns of the protective seat covers are modelled on the original seats and are available for practically all the seat variants.

<sup>1</sup> Cannot be used in conjunction with ladder flap.



# Total availability you can count on.

You can rely on us just as you rely on the Citan. We're always there for you – with services tailored to your every need. There are around 3000 service outlets Europe-wide, many of which are open until 8 p.m., 10 p.m. or, in some cases, around the clock.

With Mercedes-Benz MobiloVan<sup>1</sup>, the mobility guarantee from Mercedes-Benz, we ensure that you are soon up and running again. We will get your vehicle back on the road as quickly as possible, so that you can get on with your business.

We also offer a range of other services that can help boost your cost-effectiveness and competitiveness – such as attractive leasing, finance and insurance solutions from Mercedes-Benz Financial Services for precisely calculable costs over the vehicle's life.

Everything else you need to know about our services can be found on the following pages. Or simply contact your Mercedes-Benz dealer, who will be happy to advise you in full based on your specific needs.

## Mercedes-Benz Service24h and MobiloVan

Should your Citan ever have starting problems or break down en route, our Service24h will swiftly arrange expert assistance for you. MobiloVan<sup>1</sup> provides you with a free<sup>2</sup> mobility guarantee for your vehicle for up to 30 years in case of breakdowns. Mercedes-Benz MobiloVan<sup>1</sup> also offers attractive services in case of visits to the workshop<sup>3</sup> under guarantee or on a goodwill basis. When repairs take longer than two man-hours, your continued mobility is guaranteed. Your Mercedes-Benz dealer will be pleased to advise you personally about the conditions relating to MobiloVan<sup>1</sup> and the coverage provided.



[www.mbvans.co.uk](http://www.mbvans.co.uk)

<sup>1</sup> Valid for vehicles first registered on or after 01.10.2012. <sup>2</sup> Up to a maximum of 30 years, subject to regular servicing at an authorised Mercedes-Benz workshop. <sup>3</sup> For repairs which take longer than two man-hours, during the first two years after initial registration of your vehicle.

# Financing.

---

## Our financing products:

- Plus3 Financing
- Final Instalment Financing
- Seasonal Instalment Financing
- Standard Financing

Vehicle financing from Mercedes-Benz Financial Services allows you to pay for your choice of vehicle in manageable instalments. Regardless of the financing method you choose: you own your new vehicle and can remain flexible in financial terms.

## Your benefits at a glance:

- Fixed interest rate throughout the entire period of the agreement
- Clear calculation basis
- Transparent costs
- One partner: Mercedes-Benz

# Leasing.

---

## Our leasing products:

- Leasing
- Van Leasing Plus

You'd like to drive a new vehicle equipped to your own specification and only pay for using it? Attractive instalments mean that only a small amount of capital is tied up and you know the exact amount of the monthly costs involved.

## Your benefits at a glance:

- Fixed monthly payments mean no capital is tied up
- At the end of the lease period, you simply return the vehicle to your dealership for a guaranteed residual value<sup>1</sup>
- As a business user, you can claim the monthly instalments as a business expense
- One partner: Mercedes-Benz

# Insurance.

---

## Our insurance products:

- A variety of third-party liability and comprehensive motor insurance packages
- Payment protection insurance in conjunction with a financing agreement
- GAP insurance
- Extended warranty

Regardless of where your Mercedes-Benz vehicle takes you, we ensure you can travel with peace of mind. With comprehensive insurance coverage on attractive terms and in the accustomed Mercedes-Benz quality.

## Your benefits at a glance:

- Attractive terms, tailored to the Mercedes-Benz vehicle range
- Specialised van insurance packages
- In the event of damage, vehicle is routed to a Mercedes-Benz service outlet for repair with Mercedes-Benz genuine parts

## Mercedes-Benz Service.

---

### **Our service products:**

- Service24h/MobiloVan<sup>2</sup>
- Service contracts
- MercedesServiceCard

Mercedes-Benz Service offers a range of tailored services to ensure that your Mercedes-Benz retains its value and remains reliable. For maintenance and repairs, put your trust in the ones who know your vehicle inside out: your Mercedes-Benz Service.

### **Your benefits at a glance:**

- Outstanding service direct from the manufacturer
- Comprehensive expertise thanks to qualified workshop personnel
- Extensive safety features
- Long-term value retention
- Plannable costs
- Extended opening hours

## Mercedes-Benz GenuineParts.

---

### **Our subproducts:**

- Mercedes-Benz GenuineParts
- Mercedes-Benz genuine remanufactured parts
- Mercedes-Benz Genuine Accessories
- Mercedes-Benz genuine care products
- Mercedes-Benz genuine engine oil

Mercedes-Benz GenuineParts stand for outstanding quality, tried-and-tested safety and high reliability. Each part has been precisely configured for the vehicle's technology and design, is made of high-quality materials and has been tested extensively, ensuring exceptional durability and longevity.

### **Your benefits at a glance:**

- Exact fit
- Maximum part availability
- Extensive range of parts
- Long-term value retention
- High reliability
- Outstanding safety

## Mercedes-Benz CharterWay.

---

Mercedes-Benz CharterWay offers you tailored, integrated solutions for vehicle procurement and assured mobility as well as relief from the burden of vehicle administration – and it does this professionally as the service provider with the longest track record in the market.

**CharterWay Service.** Select the right level of protection for your needs. This product line combines maintenance and repair activities in separate service packages. The level of service provided ranges from a simple warranty extension to coverage of all prescribed maintenance work or complete cover including wear and tear repairs.

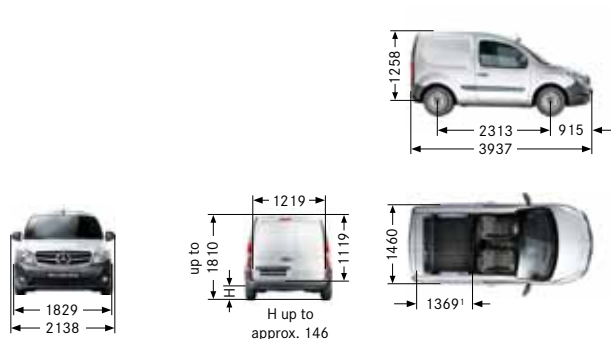
**CharterWay ServiceLeasing.** The complete solution. This product combines simple leasing with one of the CharterWay service packages. In this way, all your requirements from vehicle procurement to management or workshop service are covered with just one product.

**CharterWay Rental.** Your commercial vehicle fleet is always perfectly tailored to your order volume. CharterWay Rental allows you to increase your transport capacity flexibly over the short or long term without committing any capital or running the associated risks. The rental contract includes all the services so that virtually all you have to do is drive.

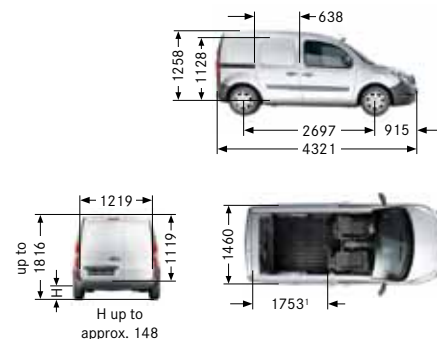
For individual advice, please consult your Mercedes-Benz dealer or visit the Mercedes-Benz CharterWay website at: [www.charterway.com](http://www.charterway.com)

# Technical data.

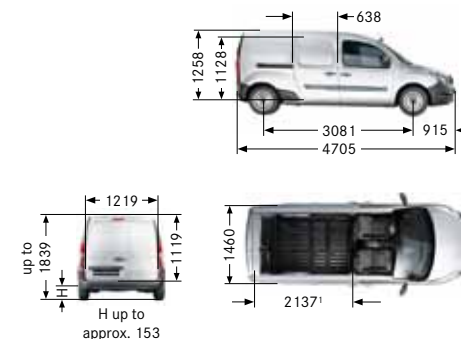
Compact panel van with 2313 mm wheelbase



Long panel van with 2697 mm wheelbase



Extra-long panel van with 3081 mm wheelbase



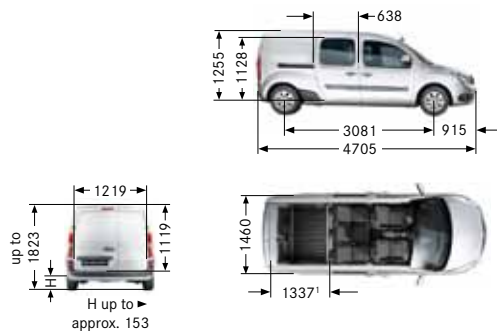
<b>GVW [kg]</b>	1785	1920	1950	2100	2200
<b>4 x 2 drive system (front-wheel drive)</b>					
<b>75 hp</b> (55 kW) at 4000 rpm   4 cylinders   Diesel Euro 5 Gr. I/Euro 6b <sup>2</sup>   1461 cc   180 Nm at 1750–2500 rpm	108 CDI	–	108 CDI	108 CDI	–
<b>90 hp</b> (66 kW) at 4000 rpm   4 cylinders   Diesel Euro 5 Gr. I/Euro 6b <sup>2</sup>   1461 cc   200 Nm at 1750–3000 rpm	109 CDI	–	109 CDI	109 CDI	109 CDI
<b>110 hp</b> (81 kW) at 4000 rpm   4 cylinders   Diesel Euro 5 Gr. I/Euro 6b <sup>2</sup>   1461 cc   240 Nm at 1750–2750 rpm	–	–	111 CDI	111 CDI	111 CDI
<b>114 hp</b> (84 kW) at 4500 rpm   4 cylinders   Petrol Euro 5 Gr. I/Euro 6b <sup>2</sup>   1192 cc   190 Nm at 2000–4000 rpm	–	112	–	–	–
<b>Kerb weight<sup>3</sup> [kg]</b>	1350	1320–1365			1430–1450
<b>Payload [kg]</b>	435	585–745			750–770
<b>Permissible GCW [kg]</b>	2835	2970–3150			3250
<b>Max. roof load [kg]</b>	100	100			100
<b>Towing capacity, braked/unbraked [kg]</b>	1050/670	1050/660–680			1050/715–720
<b>Cargo volume [m<sup>3</sup>]   Max. loading length [mm]</b>	2.4   1369	3.1   1753			3.8   2137
<b>Turning circle<sup>4</sup> [m]   Track circle <sup>5</sup> [m]</b>	10.1   9.6	11.2   10.7			12.4   11.9





<sup>1</sup> Max. loading length measured at floor height. <sup>2</sup> Available as an option. <sup>3</sup> In Directive 97/27/EC in the version valid at the time of going to print the kerb weight is described as the mass of the unladen vehicle in roadgoing condition (including coolant, lubricant, 90% fuel, tools, spare wheel, driver [75 kg]).

<sup>4</sup> Tank capacity approx. 60 l. <sup>5</sup> CDI engines and petrol engine certified according to Euro 5 Gr. I / Euro 6b. <sup>6</sup> The figures shown were obtained in accordance with the prescribed measuring process (Directive [EC] 715/2007 in the currently applicable version). The figures are not based on an individual vehicle and do not constitute part of the product offer; they are provided solely for purposes of comparison between different vehicle models. <sup>7</sup> BlueEFFICIENCY package available as an option. <sup>8</sup> With load uprating. <sup>9</sup> BlueEFFICIENCY package standard.



Extra-long Mixto with 3081 mm wheelbase

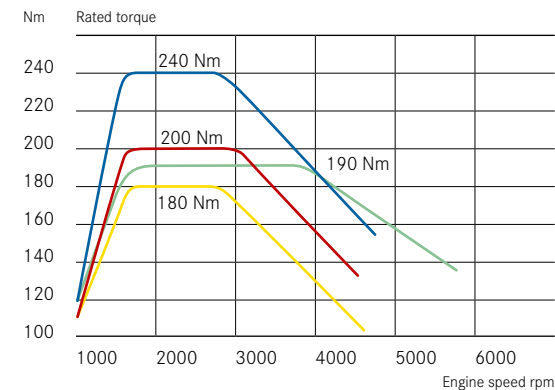


	CDI engine	<b>55 kW (75 hp)</b>
	CDI engine	<b>66 kW (90 hp)</b>
	CDI engine	<b>81 kW (110 hp)</b>
	Petrol engine	<b>84 kW (114 hp)<sup>9</sup></b>



The best for the engine:  
Mercedes-Benz genuine engine oil

Torque curves:



2200
-
109 CDI
111 CDI
-
1500-1515
685-700
3250
100
1050/745-750
2.4-3.7   1337-2137
12.4   11.9

For Euro 5 Gr. I vehicles with BlueEFFICIENCY package

Engine <sup>4, 5</sup>	Transmission	CO <sub>2</sub> emissions [g/km] <sup>6</sup>	Fuel consumption [mpg] <sup>6</sup>		
			Urban	Extra-urban	Combined
108 CDI <sup>7</sup>	M5	119-110	56.5-64.1	64.2-68.9	61.4-67.3
109 CDI <sup>7</sup>	M5	123-110	54.3-61.4	62.8-68.9	67.3-60.1
111 CDI <sup>7</sup>	M6	115	58.9	67.3	64.2
112 <sup>9</sup>	M6	140	39.2	52.3	46.3

without BlueEFFICIENCY package

CO <sub>2</sub> emissions [g/km] <sup>6</sup>	Fuel consumption [mpg] <sup>6</sup>		
	Urban	Extra-urban	Combined
126-119	5.6-5.2	4.6-4.2	4.8-4.6
130-119	50.4-54.3	62.8-67.3	56.5-61.4
123-119	54.3-56.5	62.8-64.2	61.4-60.1
-	-	-	-

For Euro 6b<sup>2</sup> vehicles with BlueEFFICIENCY package

Engine <sup>4, 5</sup>	Transmission	CO <sub>2</sub> emissions [g/km] <sup>6</sup>	Fuel consumption [mpg] <sup>6</sup>		
			Urban	Extra-urban	Combined
108 CDI	M5	119-112	56.5-60.1	64.2-67.3	61.4-65.7
109 CDI	M5	123-112	54.3-60.1	62.8-67.3	60.1-65.7
111 CDI	M6	119-115	57.6-58.9	65.7-67.3	62.8-64.2
112	M6	143-140	38.2-39.2	48.7-52.3	44.1-46.3

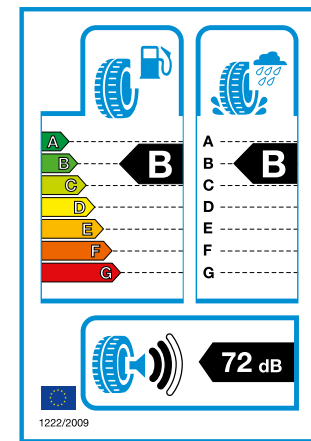
# Citan tyre performance.

Manufacturer	Model	Tyre type	Tyre size	Load-bearing capacity	Speed index	Tyre class	Fuel efficiency class	Wet adhesion class	Class of external rolling noise	Measured value, external rolling noise dB
Dunlop	SP30	S	185/70 R 14	88	T	C1	E	C		67
Michelin	ENERGY SAVER GRNX SI	S	195/65 R 15	91	T	C1	C	B		70
	ENERGY SAVER GRNX		205/55 R 16	91	H	C1	E	B		70
Continental	CEC3	S	195/65 R 15	91	T	C1	E	E		71
	Vanco Contact 2		195/65 R 15	95	T	C1	C	C		71
	CPC2e		195/65 R 15	91	T	C1	C	B		71
Goodyear	Vector 4 Season	S+W	195/65 R 15	91	T	C1	E	E		70

S = summer tyres  
W = winter tyres  
S+W = all-season

Your personal and individual style of driving can have a direct influence on driving safety and fuel economy. Please note the following in this connection: Economical and foresighted driving can reduce your fuel consumption substantially. In the interests of improved wet grip and fuel efficiency, the tyre pressure should be checked on a regular basis. A safe following distance appropriate to the stopping distance should be maintained at all times.

Changes may have been made to the tyre range or the labelling of tyres since this brochure went to press. Please consult your Mercedes-Benz van dealer for final details.



Specifications acc. to EU Directive 1222/2009. The tyre labelling scheme provides information about three key tyre performance characteristics:



#### Fuel efficiency

When rolling, a tyre is deformed, consuming energy. This is one of the 5 resistive forces which act on a vehicle.



#### Wet adhesion

The wet grip designation gives information about a significant safety aspect of a tyre: its grip or adhesion on a wet road surface.



#### External rolling noise

The level of external rolling noise of a tyre is expressed in the European Commission designation in decibels in combination with one, two or three sound waves.



# Put your hero to the test.

Take matters into your own hands – for nowhere is the Citan so impressive as on the road. In the city centre or on the motorway: high ride comfort and ease of operation, paired with high-torque, economical engines and impressive van functionality.

Experience for yourself what makes the Citan so special. And so indispensable. We'd like to invite you to take a test drive. Your Mercedes-Benz dealer will be happy to make all the necessary arrangements for you.

Simply visit [www.mbvans.co.uk](http://www.mbvans.co.uk) to locate your nearest authorised Mercedes-Benz dealer. We hope you enjoy your test drive with the Citan.



[www.mbvans.co.uk/citan](http://www.mbvans.co.uk/citan)



The Citan works tirelessly – now also with its own brochure app. Experience the urban hero on your tablet and discover how robust, flexible and economical an urban delivery van can be.

Scan the QR code now and download the brochure app for tablets with iOS or Android.

**Please note:** changes may have been made to the product since this brochure went to press (18.02.2015). The manufacturer reserves the right to make changes to the design, form, colour or specification during the delivery period, provided these changes, while taking into account the interests of the vendor, can be deemed reasonable with respect to the purchaser. Where the vendor or the manufacturer uses symbols or numbers to describe an order or the subject of an order, no rights may be derived solely from these. The illustrations and descriptions may include accessories and items of optional equipment which are not part of standard specification. Colours may differ slightly from those shown in the brochure, owing to the limitations of the printing process. This brochure may contain models and services which are not available in certain countries.

This brochure is distributed internationally. Information given regarding statutory regulations, legal requirements and taxation and the consequences thereof applies to the Federal Republic of Germany only and is correct at the time of going to press. Please consult your Mercedes-Benz van dealer for final details.

[www.mbvans.co.uk](http://www.mbvans.co.uk)

**Take-back of end-of-life vehicles.** You can return your Citan to us for environment-friendly disposal in accordance with the European Union (EU) End-Of-Life Vehicle Directive. But that day lies a long way off. A network of vehicle take-back depots and dismantlers has been established to make it as easy as possible for you to return your vehicle. You can leave it at any of these points free of charge and, by so doing, make an important contribution to completing the recycling process and conserving resources. For further information about the recycling and disposal of end-of-life vehicles, and the take-back conditions, please visit the national Mercedes-Benz homepage.