

CLS-Class

Shooting Brake



Mercedes-Benz



How do you explain the brand-new, or a category that doesn't quite exist? What do you call a thoroughbred sports car with plenty of luggage space? And how do you describe a car unlike any other? Meet the new CLS-Class Shooting Brake.

Learn a new design language





A new era never starts with a fad



Is luxury a must, or personal style? Should taste be reflected in a car's trim? Will double-lapped seams in fine materials make all the difference to your day? Take a test drive and you'll see: the answer may very well be yes.







Every inch a masterpiece. The new CLS Shooting Brake is an extraordinary piece of design. With its expressive roof line, elegantly tapering at the rear, combined with broad shoulders and low side windows, the CLS Shooting Brake conjures up a bygone era and catapults it straight into the present. Today, the Shooting Brake – once the vehicle of choice for gentlemen on the hunt with their firearms and dogs – makes a very modern comeback. It combines sportiness with premium quality and offers a wide choice of colours to suit individual taste. The entire cabin exudes superior quality and craftsmanship using authentic materials throughout. Even the load space floor can be fitted with *designo* open-pore American Cherry wood.

- New vehicle concept combines athleticism and flexibility in great style
- Broad shoulder line with low side windows
- Distinctive design with stylish rear LED tail lights (standard)
- Load space features finest materials and top-stitching (standard)
- *designo* open-pore American Cherry wood load space floor (optional)

From strength to strength. The new CLS Shooting Brake simply aims for the best. Highly efficient new-generation diesel and petrol engines offer maximum performance and torque across the entire speed range. Steering wheel gear shift paddles, standard 7G-Tronic Plus automatic transmission ensure an exhilarating driving experience. Choose optional AirMATIC air suspension to switch between a more comfortable or a sportier suspension setting. Direct Control comfort suspension creates an even more intensive driving sensation: it ‘reads’ the road and adjusts shock absorption accordingly.

- 7G-Tronic Plus 7-speed automatic transmission with steering column gear selector (standard)
- Steering wheel gear shift paddles and Speedtronic cruise control (standard)
- Air suspension with self levelling (standard)
- Speed-sensitive power steering for reduced effort and increased vehicle agility (standard)
- Direct Control comfort suspension with Selective Damping System (standard)
- AirMATIC air suspension (optional)

CLS-Class Shooting Brake. Time to reinvent space

Unwavering style, strong safety record. As you'd expect, the new CLS Shooting Brake is equipped with the latest safety technology. There's a choice of cameras, sensors and radar systems to monitor the road and to alert the driver when necessary. The Pre-Safe® anticipatory safety system detects dangerous situations ahead and instantly initiates vital safety measures. The CLS Shooting Brake can even manage your driving style: a range of electronic assistants is designed to send visual, acoustic or tactile alerts to the driver, and can actively intervene when necessary. The optional Intelligent Light System with comprehensive LED technology adjusts to the current road situation, combining beautiful looks with maximum visibility. Driving safely has never been so attractive.

- Pre-Safe® anticipatory safety system with seat belt tensioners for driver and front passenger (standard)
- Eight airbags – dual-stage airbags, sidebags and windowbags for driver and front passenger, plus kneebag and pelvisbag for driver (standard)
- Attention Assist – detects and alerts driver to long journey fatigue (standard)
- Electronic Stability Programme (ESP®) with Acceleration Skid Control (ASR) (standard)
- Neck-Pro adjustable head restraints for driver and front passenger (standard)
- LED daytime running lights (standard)
- Intelligent Light System with LED headlamps, Active Light System, cornering light function, headlamp wash and Adaptive High Beam Assist (standard on AMG Sport)

Comfortably gorgeous. In the CLS Shooting Brake, beauty has a purpose – to make you feel entirely at home. The sporty atmosphere can be felt throughout the length of the cabin, from the steering wheel to the tailgate. The spacious 5-seater makes the CLS Shooting Brake the perfect companion for long-haul journeys. While the optional Dynamic Multi-Contour Seat Package including massage function ensures you arrive relaxed, the elegantly-appointed luggage compartment offers ample space for your belongings. Even saving fuel is effortless in the CLS Shooting Brake. The standard ECO start/stop function automatically switches off the engine when stationary. When you've arrived at your destination the standard Parktronic with Active Park Assist can find a parking spot and help you park your CLS.

- Automatic climate control – two zone, with dust filter and air recirculation (standard)
- Windscreen wipers with rain sensor (standard)
- Parktronic with Active Park Assist (standard)
- ECO start/stop function (standard)
- Privacy glass (optional)
- Keyless-Go (optional)
- Reversing camera (optional)
- Speed Limit Assist (optional)

CLS Shooting Brake

Sportiness, elegance, quality – with the CLS Shooting Brake you can always expect a little extra. A two-louvre grille, metallic paint, visible twin trapezoidal exhaust pipes and 18" alloy wheels in a 5-spoke design adorn the powerful exterior. Inside, standard Black Ash wood trim in a gloss finish and leather in Black, Almond Beige or Alpaca Grey create a stylish atmosphere.

For your entertainment and information, the CLS 350 CDI BlueEFFICIENCY features the COMAND Online system with Media Interface, including 7-inch colour display and in-car Internet access (Internet-enabled mobile phone required). The CLS 250 CDI BlueEFFICIENCY is equipped with the Audio 20 with Media Interface and Becker® Map Pilot navigation system. Handy innovations like the

Easy-Pack automatic powered tailgate or the Easy-Pack load compartment cover are also standard on the CLS Shooting Brake.



The CLS Shooting Brake – with 18" 5-spoke alloy wheels and twin trapezoidal exhaust pipes

CLS Shooting Brake AMG Sport

If you want to highlight the dynamic character of the CLS Shooting Brake, the AMG Sport is the perfect choice. This model is equipped with AMG bodystyling, chrome single louvre grille. Sport-tuned suspension and a sport braking system with perforated front brake discs add to the energetic driving experience.

The interior features black leather seats with further sporty touches including stainless steel sports pedals with rubber studs, AMG floor mats and a 3-spoke sports steering wheel with a flattened bottom and nappa leather trim.

The Intelligent Light System is another standard feature specific to the CLS Shooting Brake AMG Sport. LED headlamps take visibility another step further. Also included with this system: headlamp wash, Active Light System, cornering light function and Adaptive High Beam Assist.



CLS Shooting Brake AMG Sport – with AMG bodystyling and 19" AMG 5-spoke alloy wheels with burnished Titanium Silver finish

Standard equipment

There's no doubt: the new CLS Shooting Brake is designed to make an impression. The elegant design is further enhanced by premium exterior features such as bi-xenon headlamps and LED tail lights. Beneath the stunning exterior, you'll find plenty of equally exciting technology: Parktronic with Active Park Assist parks the car for you – all you need to do is accelerate and brake when required. Attention Assist, the advanced Pre-Safe® anticipatory safety system and Neck-Pro head restraints for both front passengers, as well as eight airbags, ensure optimum passenger safety.



Analogue clock integrated into instrument panel



Bi-xenon headlamps with daytime running lights

For even greater driving pleasure, the CLS Shooting Brake offers Direct Control suspension, speed-sensitive power steering and Direct Select transmission with gear shift paddles.

The CLS Shooting Brake interior reflects its elegantly sporty character, featuring a multi-function steering wheel with nappa leather trim, silver chrome surfaces and high-quality materials throughout. Choose from a range of elegant colour themes to match this striking interior.



Multi-function steering wheel with nappa leather trim



Easy-Pack load compartment cover

Optional equipment

A wide range of options ensure you will enjoy your CLS Shooting Brake even more. Should you wish to increase the level of safety, far-reaching additional options are available. The Intelligent Light System with LED headlamps, for instance, provide greater visibility – and style – for the Shooting Brake. For the best passenger protection, equip your CLS Shooting Brake with the Driving Assistance Package including DISTRONIC PLUS, Pre-Safe® Brake, Active Lane-Keeping Assist and Active Blind Spot Assist.

You can also increase your level of comfort, for example, by choosing a reversing camera for effortless parking. Or opt for COMAND Online, the multi-tasking in-car entertainment unit which manages your phone, music and navigation system (optional on CLS 250 CDI BlueEFFICIENCY only). For a special atmosphere inside this inviting cabin there is ambient lighting, featuring three different colour moods.

Making the load space equally beautiful and functional are *designo* open-pore American Cherry wood floor with Black wood inlays, aluminium rails, and the Easy-Pack load-securing kit with rear sill protector. A manually folding tow bar is also available.



Privacy glass



LED Intelligent Light System (optional on CLS Shooting Brake)



COMAND Online manages the phone, audio and navigation system (optional on CLS 250 CDI BlueEFFICIENCY only)



The load space features optional *designo* open-pore American Cherry wood and Black wood inlays

Metallic paints



197 Obsidian Black



792 Palladium Silver

Special paints¹



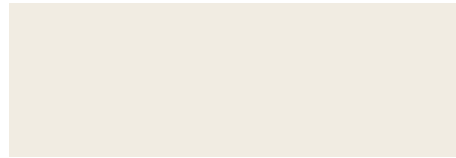
044 *designo* Magno Allanite Grey, matt finish



497 Cuprite Brown



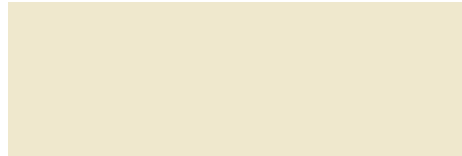
794 Pearl Beige



049 *designo* Magno Cashmere White, matt finish



541 Thulite Red



799 Diamond White¹



755 Tenorite Grey



890 Cavansite Blue



775 Iridium Silver



963 Indium Grey

Black



201 (211²) | 801^{1,3} (811^{1,2,3}) | 501^{1,4} (511^{1,2,4}) Leather



H19 Light Brown Poplar wood, matt finish¹



731 Brown Burr Walnut wood, gloss finish¹



736 Black Ash wood, gloss finish



H21 Black Piano Lacquer¹

¹Optional ²AMG Sport ³Passion leather ⁴Exclusive Passion leather, only in conjunction with Luxury Package

Almond Beige



205 | 805^{1,3} | 505^{1,4} Leather



H19 Light Brown Poplar wood, matt finish¹



731 Brown Burr Walnut wood, gloss finish¹



736 Black Ash wood, gloss finish



H21 Black Piano Lacquer¹

Aubergine



207¹ | 807^{1,3} | 507^{1,4} Leather



H19 Light Brown Poplar wood, matt finish¹



731 Brown Burr Walnut wood, gloss finish¹



736 Black Ash wood, gloss finish



H21 Black Piano Lacquer¹

Alpaca Grey



208 | 808^{1,3} | 508^{1,4} Leather



H19 Light Brown Poplar wood, matt finish¹



731 Brown Burr Walnut wood, gloss finish¹

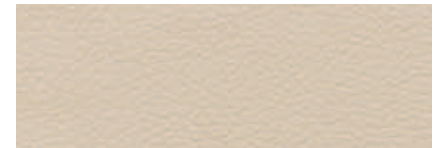


736 Black Ash wood, gloss finish



H21 Black Piano Lacquer¹

Porcelain



225¹ | 825^{1,3} | 525^{1,4} Leather



H19 Light Brown Poplar wood, matt finish¹



731 Brown Burr Walnut wood, gloss finish¹

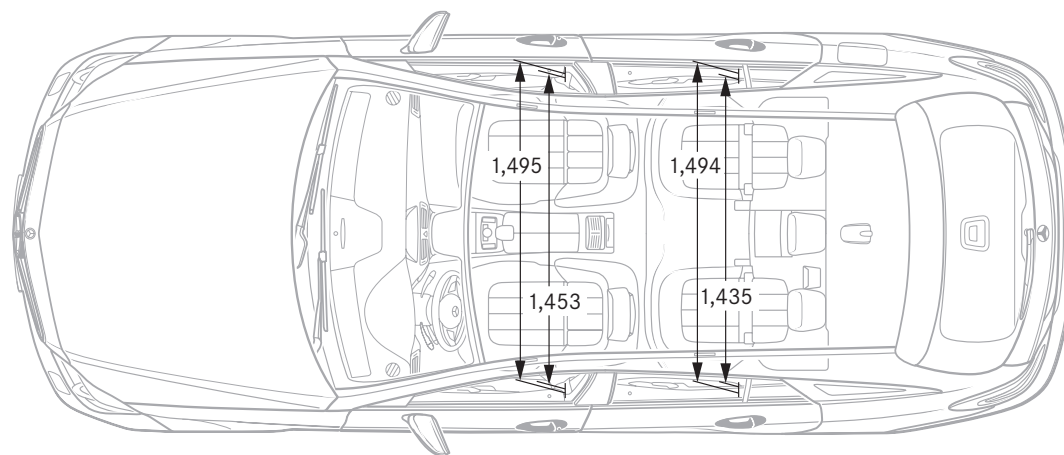
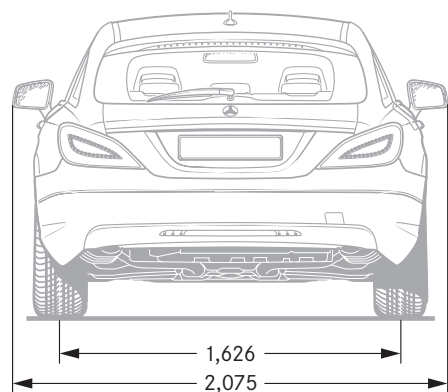
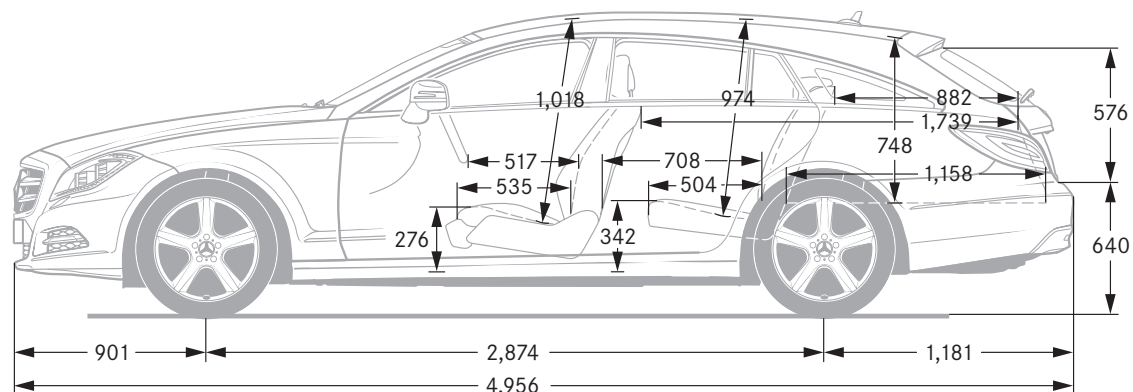
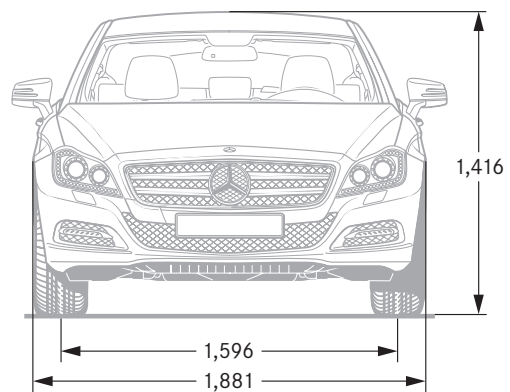


736 Black Ash wood, gloss finish



H21 Black Piano Lacquer¹

Dimensions



All measurements in millimetres. The dimensions are mean values and apply to standard-specification, unladen vehicles

Technical data

	Diesel engines		Petrol engine
	CLS 250 CDI BlueEFFICIENCY	CLS 350 CDI BlueEFFICIENCY	CLS 63 AMG
No. of cylinders/arrangement/valves	4/in-line/16	6/V/24	8/V/32
Total displacement - cc	2,143	2,987	5,461
Rated output ¹ - hp (kW) at rpm	204 (150)/3,800	265 (195)/3,800	557 (410)/5,250-5,750
Rated torque ¹ - Nm at rpm	500/1,600-1,800	620/1,600-2,400	720/1,700-5,000
Acceleration 0-62 mph - sec	7.8	6.6	tba
Top speed, approx. - mph	146	155 ²	155 ²
Tyre size - front/rear	255/40 R 18	255/40 R 18	255/35 R 19/285/30 R 19
Fuel consumption ³ - mpg			
Urban	44.8	38.7	20.2
Extra-urban	60.1	53.3	36.2
Combined	53.3	47.1	28.0
CO ₂ emissions, combined ³ - g/km	139-143	161-162	235
EU emissions standard	Euro 5	Euro 5	Euro 5
Fuel tank capacity/reserve (approx.) - l	59/8	80/9	80/14
Boot capacity - l	590-1,550	590-1,550	590-1,550
Turning circle - m	11.27	11.27	11.30
Kerb weight ⁴ - kg	1,865	1,910	1,955
Perm. Gross Vehicle Weight - kg	2,390	2,435	2,540

¹Figures in accordance with Directive 80/1269/EEC in the currently applicable version ²Electronically limited ³The figures shown were obtained in accordance with the prescribed measuring process (Regulation [EC] 715/2007 in the currently applicable version).

The figures are not based on an individual model and do not constitute part of the product offer; they are provided solely for purposes of comparison between different vehicle models ⁴Figures according to Directive 92/21/EC, version 95/48/EC (kerb weight with fuel tank 90% full, driver, 68 kg, and luggage, 7 kg) for standard-specification vehicles. Optional extras and accessories will generally increase this figure and reduce the payload capacity accordingly For further technical data, please visit www.mercedes-benz.co.uk

Take-back of end-of-life vehicles. Coming full circle. At the end of its long life, you can return your CLS-Class to us for environment-friendly disposal in accordance with the EC End-of-Life Vehicle Directive.¹ But that day lies a long way off.

¹Applies in accordance with national regulations to vehicles up to 3.5 t permissible gross weight. The CLS-Class has met the statutory regulations governing the suitability of the vehicle's design for reuse and recycling for a number of years now. A network of vehicle take-back depots and dismantlers has been established which will process your vehicle in an environment-friendly manner. The ways in which both vehicles and parts can be recovered are subject to ongoing development and improvement. Consequently, the CLS-Class will be able to comply with any future increases in the recycling quota within the stipulated time limits. Further information is available at www.mercedes-benz.co.uk or by calling 0808 156 6606.

Please note: changes may have been made to the products since this brochure went to press (02.03.2012). The manufacturer reserves the right to make changes to the design, form, colour and specification during the delivery period, provided these changes, while taking into account the interests of the vendor, can be deemed reasonable with respect to the purchaser. Where the vendor or the manufacturer uses symbols or numbers to describe an order or the subject of an order, no rights may be derived solely from these. The illustrations may show accessories and items of optional equipment which are not part of standard specification. Colours may differ slightly from those shown in the brochure, owing to the limitations of the printing process. This brochure has been compiled by Daimler AG of Germany and is distributed internationally. It provides a general indication of the range of models, features, optional extras and/or colours available in various countries. Some of the models, features, optional extras and/or colours shown may not be available in your country or may only be available in a different specification. Additionally some models, features, optional extras and/or colours may only be available in combination with others. For current and more specific information in relation to the range of models, features, optional extras and/or colours available in your country, and their pricing, you should contact your nearest authorised Mercedes-Benz Retailer. www.mercedes-benz.co.uk