

RANGE BROCHURE
ISUZU D-MAX



isuzu.co.uk

ISUZU
THE PICK-UP
PROFESSIONALS



THE PICK-UP PROFESSIONALS

No-one knows pick-ups like we do. That is not an arrogant boast, just a simple statement of fact. It's because pick-ups are all that we make. Family saloons, sports cars and people carriers do not distract us. We focus on pick-ups, providing outstanding vehicles truly fit for purpose.

To guarantee this, we work as professionals, with professionals...real people, with real demands. From the agricultural heartland of Britain to the Dakar Rally, the invaluable experience we've gained ensures the Isuzu D-Max never says no to a challenge.

This understanding, coupled with the skill of making commercial vehicles since 1916 means we can truly call ourselves the Pick-Up Professionals.

The Isuzu D-Max range features nine models, each carefully crafted to offer you unrivalled capability and choice. A collection of no-compromise vehicles for work and for life. Tough but comfortable. Built to go the distance.

isuzu.co.uk     

THE D-MAX DIFFERENCE

CAPABLE, RELIABLE, COMFORTABLE; THIS IS WHAT ALLOWS US TO SPEAK ISUZU WITH SUCH CONFIDENCE.

CAPABLE

With an incredible towing capacity of 3.5 tonnes, the Isuzu D-Max is class-leading. Together with a 2.5 litre twin-turbo common-rail diesel engine delivering 163 PS (400 Nm of torque) and 4x4 shift-on-the-fly, the Isuzu D-Max is a force to be reckoned with.

RELIABLE

For complete peace of mind, all new Isuzu D-Max models come with a 5 year (or 125,000 miles) warranty (whichever occurs first).

COMFORTABLE

A powerful vehicle doesn't have to be uncomfortable. Inside, the Isuzu D-Max feels like a car with a range of creature comforts, making certain you never have to compromise.



CHOSEN TO PERFORM

WHY OUR PICK-UPS ARE THE CHOICE OF PROFESSIONALS.



2.5 litre twin-turbo charged engine



4X4 SHIFT-ON-THE-FLY

The Isuzu D-Max makes every journey a pleasure, whether in town or in country.

A turn of a dial mounted behind the gearstick engages four-wheel drive. Another turn selects low gears and lets you automatically crawl up and over whatever is in front of you

Clever suspension cushions the ride without depriving you of that essential 'feel' for whatever you are driving over, and hill descent is controlled by automatic engine braking.



TWIN TURBO ENGINE

Our re-engineered 2.5 litre twin-turbo common-rail diesel engine produces 163 PS maximum power and delivers 400 Nm of torque between 1,400 and 2,000 rpm.

That, and it's 3.5 Tonne towing capacity makes Isuzu D-Max the perfect work-mate.



STEEL TIMING CHAIN

The Isuzu D-Max features a steel timing chain for long-lasting durability and is proven to be more reliable than a standard timing belt. That means you can put the Isuzu D-Max through its paces safe in the knowledge that it's built to take some punishment.

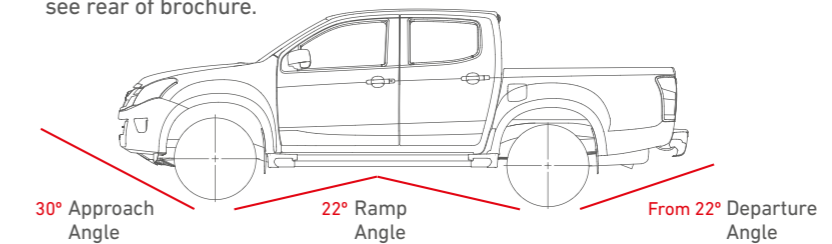
SUPERIOR FUEL ECONOMY

38.7
MPG
COMBINED
CYCLE

CO₂
EMISSIONS
192 G/KM

OFF-ROAD CAPABILITY

For full information regarding dimensions and capacities, see rear of brochure.





ALL ROUND SAFETY

OFFERING PROTECTION FOR YOU AND YOUR PASSENGERS.

Stay in control in all conditions with Electronic Stability Control (ESC), Traction Control System (TCS) and ABS with Electronic Brake Assist (EBA).

- Front, side and curtain airbags
- Door-open warning light
- Height-adjustable front seatbelts with three-point rear seatbelts (Double cabs)
- ISOFIX attachment points for child seats
- Energy-absorbing front section and side impact anti-intrusion bars
- Daytime running lights and LED rear combination lamps





Leather steering wheel as standard in Yukon, Utah & Blade models



Pioneer AVIC-F960DAB as standard in Blade



SENSE THE CONNECTION

GET BEHIND THE WHEEL AND YOU'LL UNDERSTAND INSTANTLY JUST WHAT IT IS THAT SETS OUR PICK-UPS APART FROM THE REST.

BLUETOOTH® CONNECTIVITY

Bluetooth® hands-free allows you to keep your lines of communication open without taking your hands off the wheel.

INSTRUMENT PANEL WITH MULTI-INFORMATION DISPLAY

The multi-information display (MID) is a clever tool that allows you to monitor your pick-up. Statistics on distance travelled, mileage, MPG and average speed are accessed at the touch of a button. Available on Yukon and Utah models.

TACHOGRAPH COMPATIBILITY

All of our vehicles are digital tachograph-ready to keep a record of speed, distance travelled and time spent at the wheel. Totally professional: day in, day out.

ON-BOARD ENTERTAINMENT

An iPod® music function, 'Exciter' speakers (on selected models) and radio system will keep you entertained throughout your drive. There is also the option of a Multi-Media and Sat Nav Kit, fully integrated with screen, providing European map coverage, traffic information and Parrot Bluetooth® wireless telephony.

REVERSING CAMERA

The Vision Pack upgrade on Yukon and Utah models, includes a reversing camera as standard.



Leather steering wheel as standard on Utah & Yukon models.

EXPERTS IN COMFORT

UNCOMPROMISING PERFORMANCE DOES NOT MEAN THAT YOU HAVE TO COMPROMISE ON COMFORT.

Inside all of our pick-ups, the emphasis is on allowing passengers to relax and the driver to feel at ease behind the wheel. Across the range, there are high levels of comfort more usually associated with premium passenger cars. Ample storage, driver and passenger cup holders, air conditioning, reclining seats and electric windows. Who says you can't have it all?

STEERING WHEEL AUDIO CONTROLS

Integrated controls that allow you to select your favourite track and adjust the volume with no loss of concentration. (Standard on Yukon and Utah models).

CRUISE CONTROL

Set and maintain a specific cruising speed, convenient for long drives on motorways or similar roads. Standard on Yukon, Yukon Extended Cab, Utah & Blade models.

ELECTRIC CONTROLS

All models come with front electric windows. Selected models feature rear electric windows too. The Isuzu D-Max Utah also comes with electric controls to adjust the driver's seat angle, height and distance from the dash.

CREATURE COMFORTS

Added luxuries such as power assisted steering, leather interior and heated seats come as standard on either Manual and Automatic transmission (Utah and Blade). A wide range of additional accessories are available, allowing you to create an individual Isuzu, perfectly suited to your needs.



AS I'M A PRACTICAL MAN. I NEED A PRACTICAL PICK-UP. MY ISUZU IS FIT FOR PURPOSE. IT GIVES ME NO NONSENSE AND NO TROUBLE. THAT'S THE REASON I SPEAK ISUZU.



ISUZU D-MAX UTILITY

PRACTICAL, RELIABLE AND TOUGH: THE PERFECT CHOICE FOR WHEN THE EMPHASIS IS ON GETTING THE JOB DONE.

With four models to choose from, you will find that there is one that fits perfectly with your purpose.

Available in manual transmission as:

- 4x2 Single cab
- 4x4 Single cab
- 4x4 Extended cab
- 4x4 Double cab

Available in:



Splash White



Titanium Silver Met



Mineral Grey Met



Tundra Green Mica

UTILITY SPECIFICATION

The D-Max range comes with the following as standard specification:

Interior

- Front electric windows
- Low fuel warning light
- Rev counter
- Manual air-conditioning
- Air-circulation system
- Accessory power point
- Cigarette lighter socket
- Front door cup holders
- Driver and passenger sun visors
- Height-adjustable front headrests
- Reclining front seats
- Heated rear screen (Extended cab and Double cab)
- Height-adjustable rear headrests*
- Rear electric windows*

Safety & Security

- ABS + ESC + TCS
- Door-open warning light
- Front, side and curtain airbags
- Height-adjustable front seatbelts
- Three-point rear seatbelts (Extended cab and Double cab)
- Security-etched glass
- Insurance-approved immobiliser

Entertainment

- RDS radio with iPod®/USB/ Bluetooth® connectivity
- Two door-mounted speakers

Exterior

- Integrated fuel filler cap
- Daytime running lights
- 15-inch steel wheels (4x2 Single cab)
- 16-inch steel wheels (4x4 models)

*Available on Double cab variants only.





Premium black fabric interior



I ALWAYS WANT A BIT EXTRA
AND THAT IS WHAT I GET WITH
MY ISUZU. MY PICK-UP IS
FULLY LOADED, IN EVERY WAY.
I CANNOT BELIEVE WHAT YOU
GET FOR YOUR MONEY.
THAT'S WHY I SPEAK ISUZU.

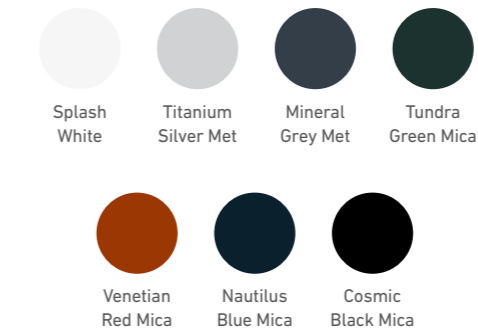
ISUZU D-MAX EIGER

EVERYTHING THAT THE UTILITY
RANGE DELIVERS – AND SO
MUCH MORE.

16-inch alloy wheels, colour-coded bumpers and remote
central locking take the meaning of 'standard' to a new level,
also with the option of a sequential shift performance.

Available as a Double cab, in manual or automatic transmission.

Available in:



EIGER SPECIFICATION

**The Eiger comes with the following in addition
to standard equipment:**

- 16-inch alloy wheels
- Body-coloured bumpers
- Locking wheel nuts
- RDS radio/single CD with iPod®/USB/ Bluetooth® connectivity
- Four speakers
- Remote central locking
- Height-adjustable steering wheel
- Height-adjustable driver's seat
- Carpet floor trim
- Folding, heated chrome door mirrors with side-indicator repeaters
- Projector headlamps
- Chrome door handles
- Rear heating ducts
- Front seatback map pockets
- Centre rear armrest





ISUZU D-MAX YUKON

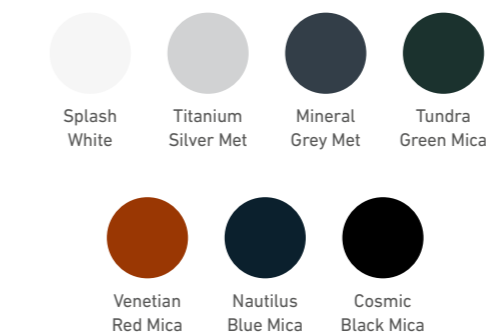
IF YOU ARE LOOKING FOR SOMETHING WITH A LITTLE MORE THAN THE EIGER CAN OFFER, LOOK NO FURTHER THAN THE YUKON.

Audio and cruise controls are integrated into the leather steering wheel, the chrome grill and rear bumper are easy on the eye, and with a choice of cab size you can choose the space and specifications you need.

Available in:

- 4x4 Extended cab (Manual transmission)
- 4x4 Double cab (Manual & Automatic transmission)

Available in:



YUKON SPECIFICATION

The Yukon Extended and Double cab variants come with the following in addition to the Eiger Double cab:

- 17-inch alloy wheels
- Six speakers which include 2 'Exciter' roof mounted speakers
- Leather steering wheel with audio and cruise controls
- Chrome grille and rear bumper
- Side steps
- LED rear lights
- Management information display
- Rear load liner
- Driver and passenger reading lights
- Courtesy light delay function

Vision Pack available for Yukon Double Cab:

- AVIC-F860BT fully integrated audio system
- DVD and navigation system with 6.1-inch touch screen
- European map coverage and traffic info
- Parrot Bluetooth® wireless telephony and music streaming
- Reversing camera



THERE IS NOTHING THIS BEAST CAN'T HANDLE. COME RAIN OR SHINE, MY PICK-UP RAISES THE BAR AND IT COSTS MUCH LESS THAN YOU WOULD EXPECT TO RUN. **THAT'S WHY I SPEAK ISUZU.**



Premium black fabric interior





Leather Interior



ISUZU D-MAX UTAH








BASED ON THE YUKON, THE UTAH OFFERS AN ENHANCED LEVEL OF FEATURES THAT LETS YOU COMBINE WORK WITH PLEASURE.

Leather upholstery and heated front seats, automatic climate control and a choice of optional extras help make your vehicle very much yours. It's more than capable of doing the job – whatever that job may be – but in its own unique style.

Available in manual and automatic transmission as:

- 4x4 Double cab

Available in:

			
Splash White	Titanium Silver Met	Mineral Grey Met	Tundra Green Mica
			
Venetian Red Mica	Nautilus Blue Mica	Cosmic Black Mica	

UTAH SPECIFICATION

The Utah comes with the following in addition to the Yukon specification:

- Automatic climate control
- Leather upholstery
- Heated front seats
- Electrically-adjustable driver's seat
- Roof bars
- Rear parking distance sensor

Vision Pack available for Utah Double Cab:

- AVIC-F860BT fully integrated audio system
- DVD and navigation system with 6.1-inch touch screen
- European map coverage and traffic info
- Parrot Bluetooth® wireless telephony and music streaming
- Reversing camera



WHEN IT COMES TO MY JOB,
I NEED A WORKHORSE THAT I
CAN RELY ON. MY ISUZU HAS
NEVER LET ME DOWN.
THAT'S WHY I SPEAK ISUZU.





ISUZU D-MAX BLADE

THE PREMIUM CHOICE FOR
EVERY REASON.

The Isuzu D-Max Blade wraps you within the comfort of the premium leather interior, heated front seats and steering wheel with integrated audio and cruise controls. And whilst its style is guaranteed to turn heads, it is still a D-Max at heart.

Available in manual and automatic transmission as:

- 4x4 Double cab

Available in:



Pearl
White



Cosmic
Black Mica

BLADE SPECIFICATION

The Blade comes with the following in addition to the Yukon specification:

- 5 x 18-inch shadow alloys with Pirelli Scorpion ZERO tyres
- Colour coded Aeroklas leisure canopy or black MountainTop roller cover with rear style bar
- Heavy duty side steps
- Black roof bars
- Tinted windows
- Branded Blade carpet mats
- Piano Black interior trim
- Premium black leather interior
- Automatic climate control
- Heated front seats
- Tailgate damper
- Isuzu D-Max scuff plates
- Pioneer navigation system with DAB and rear view camera
- Cosmic black door handles and mirror covers
- Dark grey front grille
- Black rear bumper



COMPROMISE IS NOT A WORD IN
MY VOCABULARY. LUCKILY WITH
MY PICK-UP, I DIDN'T HAVE TO.
WHO SAYS YOU CAN'T HAVE IT ALL?
THAT'S WHY I SPEAK ISUZU.



CREATE YOUR OWN

WE STOCK A VAST SELECTION OF ACCESSORIES SPECIFICALLY DESIGNED FOR YOUR ISUZU D-MAX.

Visit isuzu.co.uk/accessories to see the full range and download an accessories brochure.

16-INCH SILVER ALLOY WHEELS
FRONT BUMPER GUARD
BONNET PROTECTOR



ISUZU CANOPY
ALL-TERRAIN TYRES
SILVER AERO SIDE-STEP



HUNTSMAN ACCESSORY PACK



AEROKLAS ABS SMOOTH FINISH HARD LID



BED X-TENDER



ALUMINIUM CYCLE CARRIER



17-INCH BLACK ALLOY WHEELS



FRONT BUMPER GUARD



CARRYBOY GULLWING COMMERCIAL CANOPY



SLIDING BED TRAY

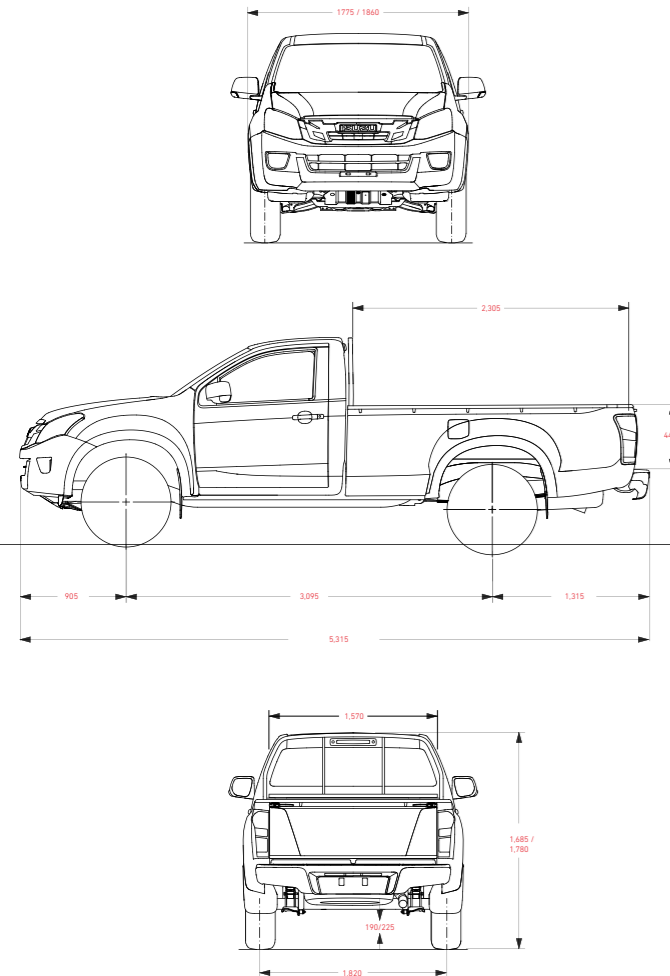


REVERSING CAMERA AND SCREEN KIT

DIMENSIONS & CAPACITIES

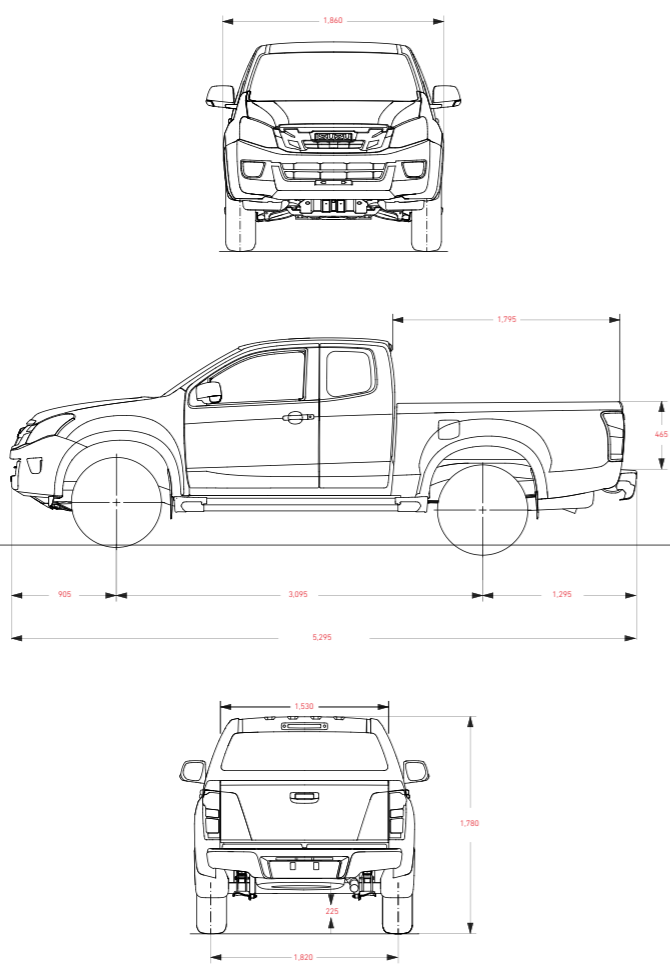
SINGLE CAB 4X2/4X4 DIMENSIONS

All measurements in millimetres



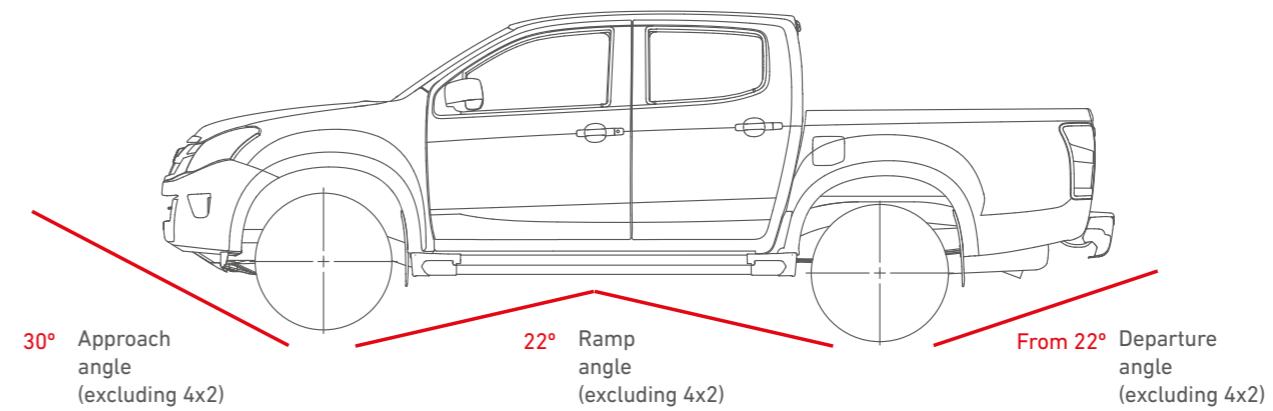
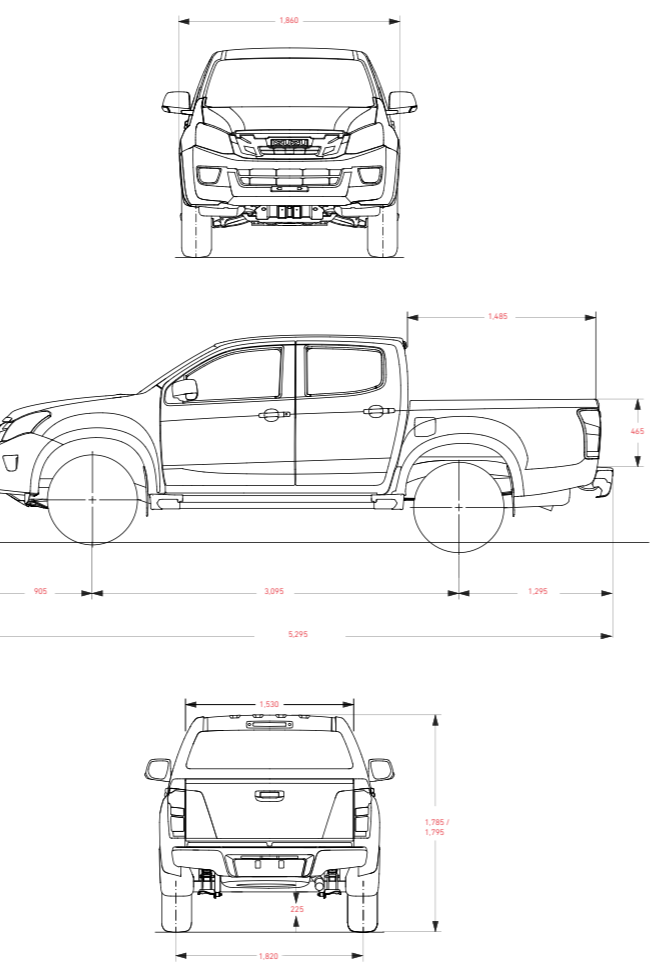
EXTENDED CAB 4X4 DIMENSIONS

All measurements in millimetres



DOUBLE CAB 4X4 DIMENSIONS

All measurements in millimetres



MAX TOWING

4x2	2,500kg
4x4	3,500kg

BED (INTERIOR)

	Length	Width	Depth
Single cab	2,305mm	1,570mm	440mm
Extended cab	1,795mm	1,530mm	465mm
Double cab	1,485mm	1,530mm	465mm

GROUND CLEARANCE (REAR AXLE)

4x2 Single cab	190mm
4x4 Single/Extended/ Double/Eiger Double/ Yukon Extended	225mm
Yukon Double/Utah Double	235mm

DEPARTURE ANGLE

4x4 Single/Extended/Double/ Eiger Double/Yukon Extended	22°
Yukon Double/Utah Double/ Blade	22°

TILT ANGLE

All models (excluding 4x2)	49°
----------------------------	-----

OFFICIAL WADING DEPTH

4x2	400mm
4x4	600mm



TURNING CIRCLE

4x2	11.8m
4x4	12.2m

TYRES

4x2 Single cab	215/70R15
4x4 Single/Extended/ Double/Eiger	245/70R16
4x4 Yukon models/Utah	255/65R17
4x4 Blade	255/60R18

WHEELS

4x2 Single cab	15x6.5 JJ
4x4 Single/Extended/ Double/Eiger	16x7 J
4x4 Yukon models/Utah	17x7 J
4x4 Blade	18x8.5 J

Vehicle dimensions vary according to the types of optional equipment fitted

TECHNICAL SPECIFICATIONS

ENGINE	4x2	4x4 MANUAL	4x4 AUTOMATIC
Variant/version	TFR86 Man	TFS86 Man	TFS86 Auto
Engine type	4JK1	4JK1	4JK1
Capacity/power	2.5-litre/ 163 PS diesel	2.5-litre/ 163 PS diesel	2.5-litre/ 163 PS diesel
Type	DOHC	DOHC	DOHC
Construction	Cast Iron Cylinder Block and Aluminium Head	Cast Iron Cylinder Block and Aluminium Head	Cast Iron Cylinder Block and Aluminium Head
Arrangement cylinders	4, In line	4, In line	4, In line
Firing order	1-3-4-2	1-3-4-2	1-3-4-2
Valves (4 per cylinder)	16	16	16
Bore mm	95.4	95.4	95.4
Stroke mm	87.4	87.4	87.4
Compression	17+/- 0.6	17+/- 0.6	17+/- 0.6
Engine capacity cm ³	2499	2499	2499
Net power kW	120@3600	120@3600	120@3600
Net power PS	163.15@3600	163.15@3600	163.15@3600
Torque Nm	400@1400-2000	400@1400-2000	400@1400-2000
Torque lb f ft	295@1400-2000	295@1400-2000	295@1400-2000
Top speed (mph)	112	112	112
Idle speed	700+/- 25	700+/- 25	700+/- 25

EMISSIONS	4x2	4x4 MANUAL	4x4 AUTOMATIC
Emissions class	Euro Stage5	Euro Stage5	Euro Stage5
CO ₂ emissions g/km	200	192	220

FUEL CONSUMPTION L/100 KM (MPG)*	4x2	4x4 MANUAL	4x4 AUTOMATIC
Urban cycle	9.4 (30.1)	8.9 (31.7)	10.5 (26.9)
Extra Urban cycle	6.5 (43.5)	6.4 (44.1)	7.2 (39.2)
Combined cycle	7.6 (37.2)	7.3 (38.7)	8.4 (33.6)
Insurance groupings	8A	9A	9A
Fuel tank capacity litres (Gal)	69 (15.18)	69 (15.18)	69 (15.18)

GEAR RATIOS	4x2	4x4 MANUAL	4x4 AUTOMATIC
1	5.232	5.232	3.52
2	2.644	2.644	2.042
3	1.606	1.606	1.400
4	1.219	1.219	1.000
5	1.000	1.000	0.716
6	0.728	0.728	N/A
Reverse	4.525	4.525	3.224
Final Drive	3.071	3.071	3.727

4x4 DETAILS	4x2	4x4 MANUAL	4x4 AUTOMATIC
Ground clearance mm (rear axle)	N/A	235	235
Approach angle (deg.)	N/A	30	30
Departure angle (deg.)	N/A	22	22
Ramp angle (deg.)	N/A	22	22

WEIGHTS	EIGER				YUKON			UTAH			BLADE		
	4x2 SINGLE CAB	4x4 SINGLE CAB	4x4 EXTENDED CAB	4x4 DOUBLE CAB	4x4 DOUBLE CAB	4x4 DOUBLE CAB (AUTO)	4x4 EXTENDED CAB	4x4 DOUBLE CAB	4x4 DOUBLE CAB (AUTO)	4x4 DOUBLE CAB	4x4 DOUBLE CAB (AUTO)	4x4 DOUBLE CAB	4x4 DOUBLE CAB (AUTO)
Kerb weight kg**	1772	1914	1965	1970	1954	1959	1976	1978	1983	1987	1992	1970	1975
Gross vehicle weight kg	2900	3050	3050	3050	3050	3050	3050	3050	3050	3050	3050	3050	3050
Payload kg	1128	1136	1085	1080	1096	1091	1074	1072	1067	1063	1058	1080	1075
Max front axle kg	1250	1350	1350	1350	1350	1350	1350	1350	1350	1350	1350	1350	1350
Max rear axle kg	1870	1870	1870	1870	1870	1870	1870	1870	1870	1870	1870	1870	1870
Trailer weight braked kg	2500	3500	3500	3500	3500	3500	3500	3500	3500	3500	3500	3500	3500
Trailer weight unbraked kg	750	750	750	750	750	750	750	750	750	750	750	750	750
Nose weight kg	100	245	245	245	245	245	245	245	245	245	245	245	245
Gross Train Weight kg†	5400	6000	6000	6000	6000	6000	6000	6000	6000	6000	6000	6000	6000

WHEELS, TYRES AND TURNING	EIGER				YUKON			UTAH			BLADE		
	4x2 SINGLE CAB	4x4 SINGLE CAB	4x4 EXTENDED CAB	4x4 DOUBLE CAB	4x4 DOUBLE CAB	4x4 DOUBLE CAB (AUTO)	4x4 EXTENDED CAB	4x4 DOUBLE CAB	4x4 DOUBLE CAB (AUTO)	4x4 DOUBLE CAB	4x4 DOUBLE CAB (AUTO)	4x4 DOUBLE CAB	4x4 DOUBLE CAB (AUTO)
Tyres	215/70R15C	245/70R16	245/70R16	245/70R16	245/70R16	245/70R16	255/65R17	255/65R17	255/65R17	255/65R17	255/65R17	255/60R18	255/60R18
Wheels	15x6.5 JJ	16x7 J	16x7 J	16x7 J	16x7 J	16x7 J	17x7 J	17x7 J	17x7 J	17x7 J	17x7 J	18x8.5 J	18x8.5 J
Min. turning circle (m) dia. (radius) kerb to kerb	11.8	12.2	12.2	12.2	12.2	12.2	12.2	12.2	12.2	12.2	12.2	12.2	12.2

*MPG figures are official EU test figures for comparative purposes and may not reflect real driving results.

**Kerb weights vary according to the types of optional equipment fitted.

†Gross Train Weight (GTW). The total permissible all-up weight of a rigid vehicle together with trailer and load. Trailers of the above capacities should be used within the plated GTW. Dependant on the drive line combination and payload carried by the prime mover, it may not be possible to tow trailers of the maximum capabilities mentioned.



isuzu.co.uk



Isuzu (UK) LTD. Reserve the right to change specifications and equipment without notice. Details of specifications and equipment mentioned or shown in this brochure may be subject to change. Features and specification may vary in appearance and/or availability. Accessories and equipment shown in this brochure have been used for illustrative purpose only. Service interval: 12,000 miles or 24 months whichever comes sooner. 5 year/125,000 miles (whichever comes first) warranty applies to all new Isuzu D-Max models. Terms and conditions apply. See isuzu.co.uk for full details. Please enquire at your local Isuzu dealer for details on available models and their specifications.

Part No. IB515

ISUZU
THE PICK-UP
PROFESSIONALS