

Beechcraft BONANZA G36



SOME AIRCRAFT
ASPIRE TO
GREATNESS.



LIMITED ONLY BY
YOUR IMAGINATION

The Bonanza will take you where you want to go with the reliability, speed and handling that makes it every pilot's ultimate single-engine aircraft.



THE SIX-CYLINDER
POWERHOUSE THAT PERFORMS

The Bonanza's powerful, reliable Continental™ engine and responsive handling promise pure flying pleasure on every trip.



SAFE, SOPHISTICATED
FLIGHT DECK

Garmin 1000® avionics include WAAS and Synthetic Vision Technology. Flat-screen displays present comprehensive flight data for increased situational awareness.



LARGE,
COMFORTABLE CABIN

Passengers relax without having to squeeze in. The reconfigurable cabin offers seating for six and the tinted windows and standard air conditioner provide a comfortable ride.

BONANZA G36



The same aspiration that first inspired you to fly is reflected in the heritage of every Beechcraft Bonanza.

Sure, the Bonanza has changed over the years, all the while endearing itself to generations of pilots. What hasn't changed is the way the Bonanza embodies a pilot's spirit of adventure. Driven by its powerful Continental engine, the latest Bonanza G36 delivers more exhilarating performance than ever before. The G36 tolerates tough conditions like unimproved runways, so you can fly to destinations near and far. Passengers are treated to a whole new standard of cabin comfort that includes luxurious leather and finishes, LED ambient lighting, set-and-forget climate control, all unified by a flowing, contour design. Even the cockpit seating has been upgraded. The Bonanza difference is in the details, and our commitment to make the finest light single aircraft produced is what makes the Bonanza G36.

LEARN WHY IT'S THE MOST CAPABLE SINGLE-ENGINE AIRCRAFT WE'VE BUILT YET.



[HawkerBeechcraft.com](https://www.HawkerBeechcraft.com)

OTHERS ATTAIN IT...
THE SINGLE-ENGINE AIRCRAFT THAT
PILOTS ASPIRE TO OWN.

DESTINATIONS OTHERS ONLY DREAM OF.



From the bush country of Alaska to the canyons of Manhattan.

Thanks to one of the strongest landing gear systems in the industry, the Bonanza G36 is certified for rugged utility use. It's at home on unimproved airstrips, dirt runways and grass fields, giving it multi-mission capability to take you places that are as exciting as the times you'll spend flying it. Imagine the adventures you can experience with a maximum range of more than 1,000 statute miles. And when business calls, the Bonanza can take you there, too. It's all in a day's work for the world's most capable and best-loved single-engine aircraft.

BONANZA G36 CAN HANDLE IT.



FROM THE MIDDLE OF EVERYTHING TO THE MIDDLE OF NOWHERE.

WITH A 880-POUND (400 KG) MAXIMUM PAYLOAD, THE BONANZA G36 CAN CARRY THE RIGHT COMBINATION OF PASSENGERS AND CARGO TO SUIT ALL SORTS OF MISSIONS. ALL YOU HAVE TO DO IS DECIDE WHERE YOU WANT TO GO. IF IT'S OFF LIMITS TO A BONANZA, YOU MAY HAVE TO HIKE IN.

TRAVEL AT 200+ MPH.



The fastest, most capable Bonanza yet.

Generations of pilots have relied on the Bonanza for the best all-around performance of any light-single aircraft, and now it's better than ever before. The special-edition 300 hp Continental engine melds proven reliability and power with new airflow enhancements to deliver an impressive 202 mph (176 knots) maximum cruise speed, lifting you to an 18,500-foot (5,639 m) service ceiling. The engine's reliability minimizes downtime, while its low fuel-burn rate assures economical operation. Engineering details like connecting rods and pistons balanced to within 2 to 3 grams and a dynamically balanced Hartzell™ propeller ensure smoother running and less vibration, for a flying experience that leaves other light-single aircraft behind.

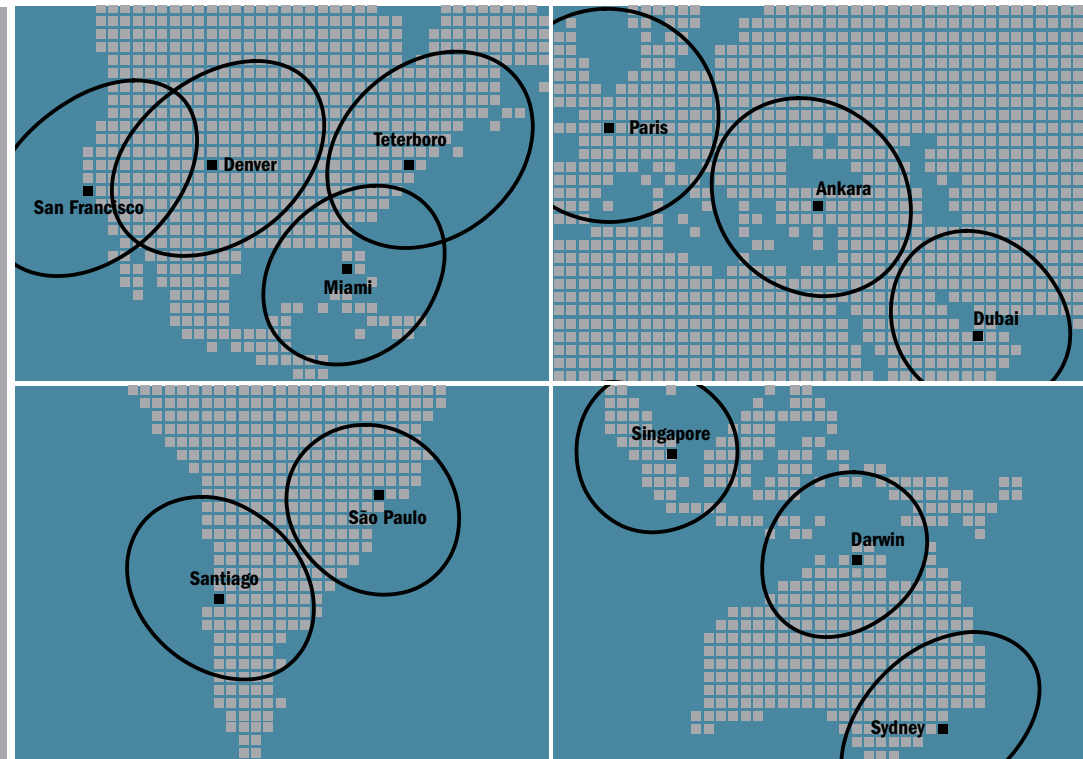
MAKE QUICKER DISCOVERIES.

202 MPH (176 KNOTS) MAXIMUM CRUISE SPEED

300 HP CONTINENTAL IO-550-B ENGINE

MAXIMUM RANGE GREATER THAN 1,000 STATUTE MILES (928 NM)

TAKES OFF IN JUST 1,913 FEET (583 M) AND
LANDS IN JUST 1,450 FEET (442 M)



4 occupants, 85 percent probability winds, VFR reserves, ISA conditions

THEY SAY THAT THE JOURNEY IS HALF THE FUN—AND THE BONANZA IS SO QUICK, IT LEAVES PLENTY OF TIME FOR THE OTHER HALF.

WHAT MAKES THE BONANZA G36 A FAST, FUN AND EXCITING WAY TO GET AROUND? ITS POWERFUL ENGINE AND NEARLY PERFECT CONTROL HARMONY RESULT IN A RESPONSIVE, EASY-TO-FLY AIRCRAFT. AND WITH A RANGE OF MORE THAN 1,000 STATUTE MILES, YOU CAN ENJOY THE FUN EVEN LONGER.

GLASS COCKPIT SAFETY.



GARMIN G1000® AVIONICS WITH SYNTHETIC VISION

GARMIN GFC™ 700 THREE-AXIS AUTOPILOT/
FLIGHT CONTROL SYSTEM

GARMIN GTS™ 820 TRAFFIC ADVISORY SYSTEM

DIGITAL AHRS AND AIR DATA

DUAL GPS WAAS WITH LPV APPROACH

TERRAIN AWARENESS WARNING
SYSTEM (TAWS-B)

SIRIUS-XM™ WEATHER AND
SATELLITE RADIO

GARMIN® 5-YEAR FLITELEVEL™ WARRANTY

BENEFITS THAT ARE CLEARLY VISIBLE.



An advanced flight deck and plenty of windows enhance visibility, inside and out.

By combining advanced Garmin G1000 avionics with a flight deck design proven in millions of flight hours, the Bonanza G36 provides a safe, comfortable, pilot-friendly environment. Synthetic vision allows greater situational awareness and reduces pilot fatigue. Dual LCDs display instrumentation and moving maps. The advanced glass cockpit is convenient and intuitive, with controls and switches arranged for easier operation. The wraparound windshield enhances visibility outside, providing a more enjoyable time in the pilot's seat.



137 CUBIC FEET (3.9 CU M) OF CABIN SPACE

10 CUBIC FEET (.28 CU M) OF STOWAGE
SPACE BEHIND THE SEATS

CONFIGURABLE CABIN WITH REMOVABLE
PASSENGER SEATS FOR EXTRA
CARGO CAPACITY

880 POUNDS (400 KG) OF
MAXIMUM PAYLOAD

WIDE, EASY-TO-USE 45 X 35-INCH
(114 X 90 CM) CABIN DOOR

CLUB SEATING WITH FOLDING TABLE

STANDARD AIR CONDITIONING


COMFORT & FLEXIBILITY FOR SIX.



Outside, it's gorgeous and rugged. Inside, it's spacious and luxurious.

The Bonanza offers room for six plus baggage, an unbeatable advantage that lets you carry people and cargo that others can't. Its interior is two feet longer than typical competitors, and features sidewalls that offer more elbowroom, thicker windows and improved noise damping for an even quieter cabin. Business-jet amenities include leather seats with headrests and lumbar supports, cup holders, reading lights and a folding table. Passengers enjoy an air-conditioned interior with separate air outlets and individual Sirius-XM satellite radio controls, creature comforts that make every flight more peaceful and comfortable.

OWNERSHIP IS PARTNERSHIP.



TIP-TO-TAIL WARRANTY

HAWKER BEECHCRAFT GLOBAL CUSTOMER SUPPORT:
GENERAL AVIATION'S LARGEST TECHNICAL
AND FIELD SUPPORT NETWORK

AVAILABLE SUPPORT PLUS™

Experience counts, yours *and* ours. Global Customer Support sets us apart.

Our continuing investment in the Hawker Beechcraft Global Customer Support network—the largest and most accessible network of its kind—is our investment in your satisfaction as a Beechcraft owner. By utilizing the industry's most respected experts, building state-of-the-art facilities and providing mobile response teams to remote destinations, we are delivering on the promise of a rewarding ownership experience. It's about keeping your Bonanza G36—and you—flying whenever it's time to go.

SPECIFICATIONS

	Standard	Metric
Seating Configuration (Crew + Standard Pax/Max Pax)	1 + 4 / 5	

AVIONICS

Manufacturer	Garmin	
Suite	G1000	

ENGINES

Manufacturer	Continental	
Type	IO-550-B	
Power Rating	300 hp	224 kW

DIMENSIONS

EXTERNAL

Wingspan	33 ft 6 in	10.21 m
Max Airplane Length	27 ft 6 in	8.38 m
Max Tail Height	8 ft 7 in	2.62 m

INTERNAL (CABIN)

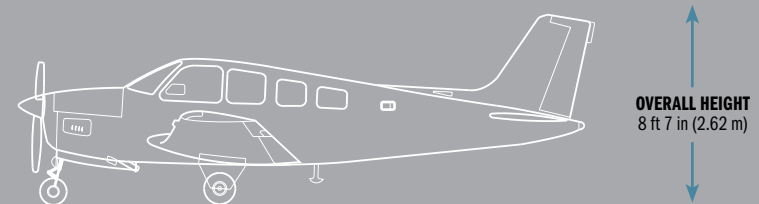
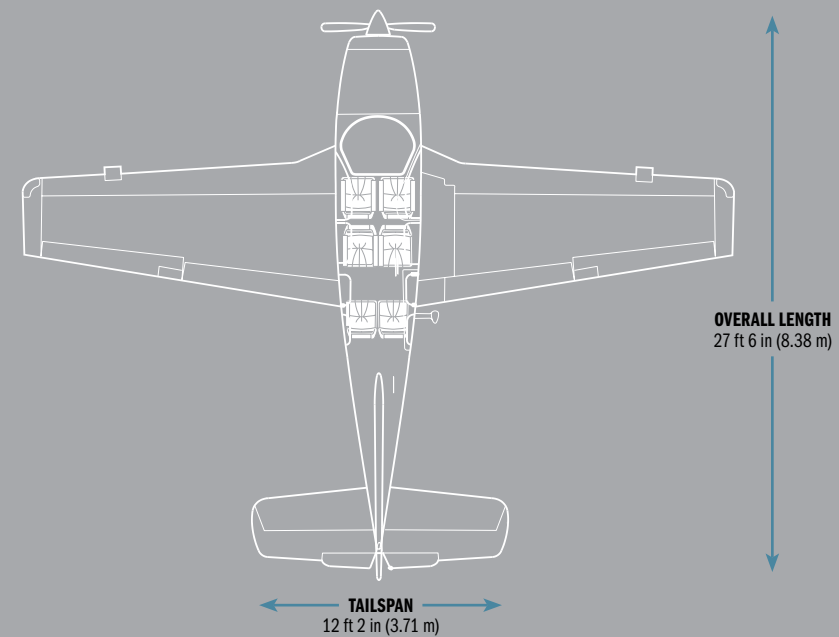
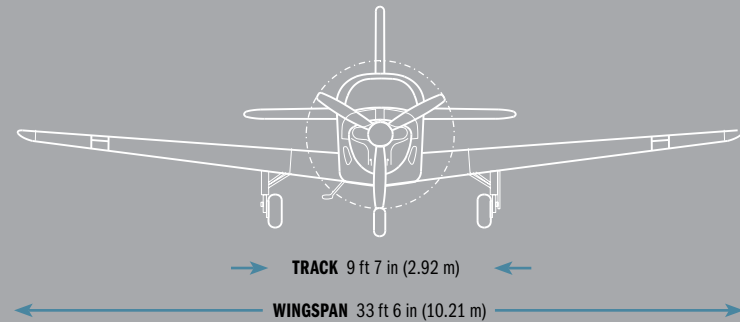
Length	12 ft 7 in	3.84 m
Width	3 ft 6 in	1.07 m
Height	4 ft 2 in	1.27 m
Baggage Capacity	10.0 cu ft	.3 cu m
Max Baggage Weight	70 lb	32 kg

WEIGHTS

Max Ramp Weight	3,663 lb	1,662 kg
Max Takeoff Weight	3,650 lb	1,656 kg
Max Landing Weight	3,650 lb	1,656 kg
Usable Fuel Capacity	444 lb	201 kg
Basic Empty Weight	2,625 lb	1,191 kg
Max Payload	880 lb	400 kg
Useful Load	1,038 lb	470 kg

PERFORMANCE

Max Cruise Speed	176 kt	326 km/h
Range: Max Payload	221 nm	409 km
Range: Full Fuel/Available Payload	908 nm	1,682 km
Range: 4 Occupants	705 nm	1,306 km
Range: Ferry	928 nm	1,719 km
Max Service Ceiling	18,500 ft	5,639 m
Takeoff Distance (MTOW)	1,913 ft	583 m
Landing Distance (MLW)	1,450 ft	442 m





A LEGACY THAT SHAPES THE FUTURE.

A tradition of Beechcraft quality goes into everything we do today.

Aviators and their passengers around the world know the value of Beechcraft ownership. From the very first Staggerwing to the newest-generation Bonanza, the aircraft from Beechcraft have represented the very best our industry has to offer. A hard-won reputation for quality and reliability has earned Beechcraft the loyalty of people who fly the aircraft that set the standard for private aviation. Engineering and building the world's finest aircraft is our mission. The future of Beechcraft is shaped by our legacy of excellence and commitment to our customers.



IMAGINE THE FREEDOM TO GO WHERE DREAMS TAKE YOU.



INQUIRE.

United States & the Americas +1.316.676.0800

Europe, Middle East & Africa +44 (0)1244.523.803

Asia-Pacific +65.6423.0321

LEARN WHY OWNERS LOVE THEIR BEECHCRAFT.



[HawkerBeechcraft.com](https://www.HawkerBeechcraft.com)



WE BUILD AIRCRAFT YOU CAN BELIEVE IN.



THERE IS A BEECHCRAFT FOR EVERYONE AND EVERY MISSION. EXPLORE OUR ENTIRE PRODUCT LINEUP. VISIT HawkerBeechcraft.com

SPECIFICATIONS AND PERFORMANCE ARE SUBJECT TO CHANGE WITHOUT NOTICE. IMAGES MAY SHOW OPTIONAL EQUIPMENT. CONTACT HAWKER BEECHCRAFT CORPORATION FOR DETAILS. ©2012 HAWKER BEECHCRAFT CORPORATION. ALL RIGHTS RESERVED. HAWKER, BEECHCRAFT AND SUPPORTPLUS ARE TRADEMARKS OF HAWKER BEECHCRAFT CORPORATION. CONTINENTAL, GARMIN, FLITELEVEL, G1000, GFC, GTS, HARTZELL AND SIRIUS-XM ARE TRADEMARKS OF THEIR RESPECTIVE OWNERS.

12BRBG36HW