



## The Audi A3 and S3 range

Pricing and Specification Guide  
Valid from March 2010

# Personalising your Audi A3

This guide has been designed to help you tailor and price your new Audi A3 quickly and logically. At the back, you will find information on CO<sub>2</sub> emissions-based vehicle excise duty and the other services offered by Audi, including Finance and Insurance. Alternatively, you can go to [audi.co.uk](http://audi.co.uk) and configure your Audi A3 online.

## The Audi A3

Efficiency	8
Engines	10
Transmissions	11
quattro®	12

## Model details and prices

Standard models	14
SE models	15
Sport models	15
S line models	16
Black Edition models	17
S3 models	18
S3 Black Edition models	19
Model prices	20

<b>Audi exclusive</b>	24
-----------------------	----

## Colour and upholstery

Paint	28
Upholstery	30
Colour and trim guide	34
Inlays	38

## Options

Wheels, tyres and suspension	40
Packages	42
Audio and communication	44
Interior equipment	46
Seats	48
Exterior equipment	49
Warranty	49
Safety and security	50
Steering wheels	51
Merchandise	52
Accessories	53

## Technical details

Technical data	54
Dimensions	58
Additional information	62
Pricing information	64





## Vorsprung durch Technik

Three words that express the very essence of Audi. Vorsprung durch Technik isn't a slogan. It's our way of seeing the world. It is the driving force behind our history of innovation that continues into the 21st century. Indeed, many technologies that Audi pioneered remain in our cars today. Some are milestones in the history of the motorcar.

From our beginnings in 1899, to the Auto Union team's Grand Prix successes in the 1930s and our more recent wins at Le Mans, we have always been at the forefront of the motor industry.

Vorsprung durch Technik makes us who we are. To see more of its influence, just read on.

## The Audi A3: Vorsprung durch Technik in its genes

With its innovative design and sophisticated technology, the Audi A3 is the perfect introduction to Vorsprung durch Technik. It's available with a choice of advanced petrol and diesel engines, from the turbocharged 1.4 TFSI® to the 2.0 TDI® quattro® – all of which deliver exceptional efficiency and performance. And there's also a wide range of equipment and accessories to choose from, enabling you to arrive at a car that suits you completely.





## Efficiency

At Audi, doing less is something we're trying to do more of. We're working to use less fuel, release less CO<sub>2</sub> and waste less energy. It's why we've incorporated a number of more efficient technologies into the Audi A3.

### **TDI® and FSI®**

Inside the engine of the Audi A3 you'll find the same advanced fuel-injection technology that's driven us to win after win at Le Mans. With TDI® and FSI®, fuel is injected directly into the engine's chambers so that combustion is timed right down to the millisecond. As a result, waste is minimised and you get the most from every last drop of fuel.

### **Gear-change indicator**

Small changes to your driving style can have a big impact on your fuel economy. The gear-change indicator in the Audi A3 is there to indicate the optimum gear to use for any given speed, encouraging early upshifts to ensure you don't burn more fuel than is necessary.

### **Aerodynamics**

A car's shape can have a big impact on its efficiency. It's why we've worked to make the Audi A3 as aerodynamic as possible.





### **Recuperation**

When a vehicle brakes, the discs convert the kinetic energy into thermal energy, which is wasted as it cannot be used. With a recuperation system, like the one in the Audi A3 1.4 TFSI® with Start-Stop, the kinetic energy is converted into useful electrical energy. The way it works is simple. While the car is coasting or braking, the alternator voltage is raised above the level of the basic electrical system, which enables the alternator to generate electrical energy and store it temporarily in the battery. When the vehicle accelerates, this energy is used to relieve the load on the alternator, resulting in a fuel saving of up to 3%.



## Engines

### Petrol

FSI® direct-injection technology is a unique Audi innovation that was originally developed for the Le Mans 24-hour endurance race to deliver more power and torque, as well as enhanced fuel efficiency. Precisely the right amount of fuel and air are injected into the combustion chambers, enabling the engine to 'breathe' more easily. It results in reduced heat loss and increased output, with around a 15% reduction in fuel consumption and significantly lower exhaust emissions. We've also developed TFSI®, with turbocharging – giving cars an extra injection of power.

### Diesel

We introduced TDI® to the roads in 1989, marking a departure from the noisy, fuel-thirsty diesel engines of the past. And since then, we've continuously refined it, recently developing common-rail technology. Under this system, a series of piezo injectors use electrical charge to precisely control the amount of fuel injected into the engine. As well as reducing noise, this allows combustion to happen at a lower temperature, with less oxygen, which lowers emissions.





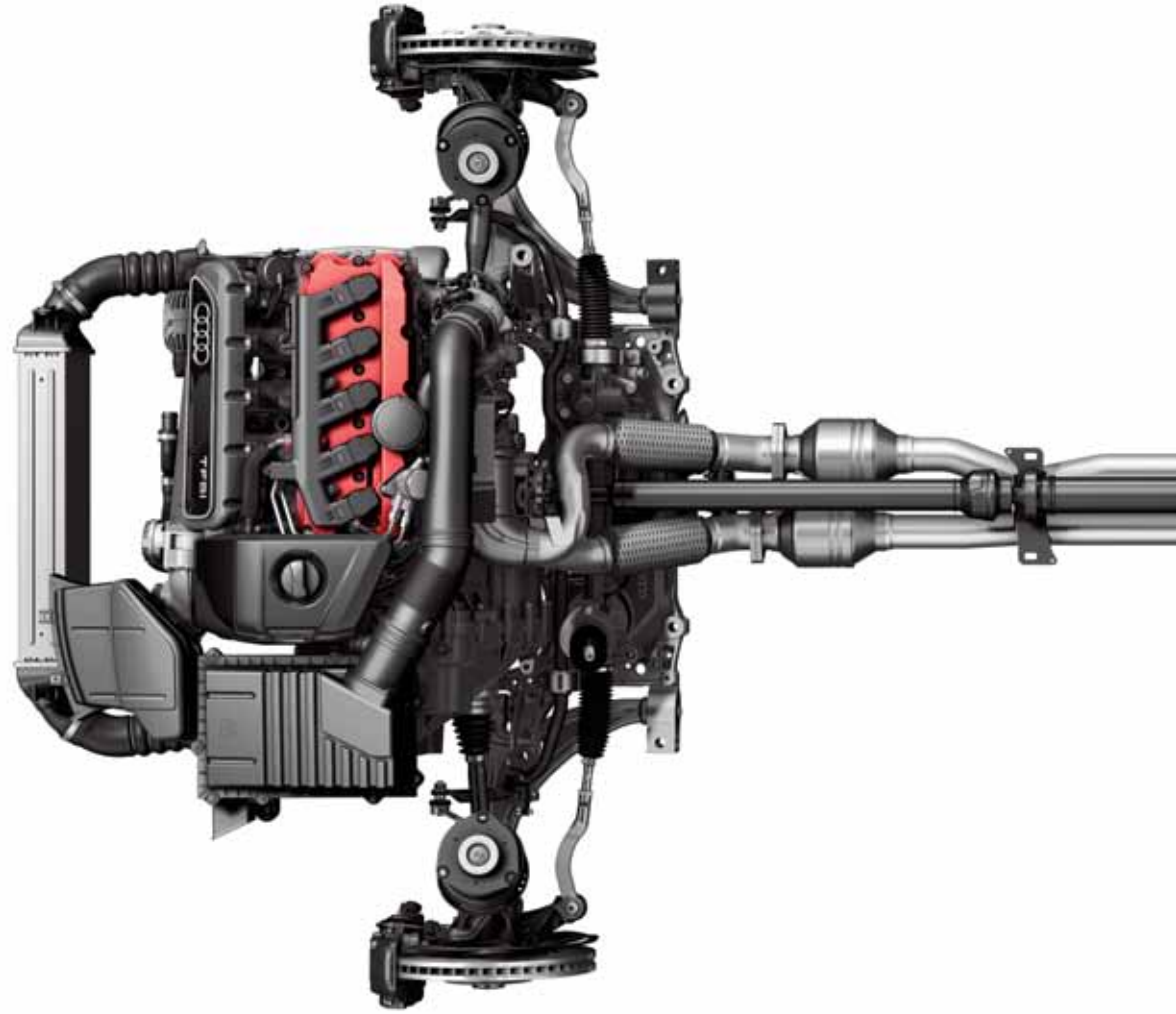
## Transmission

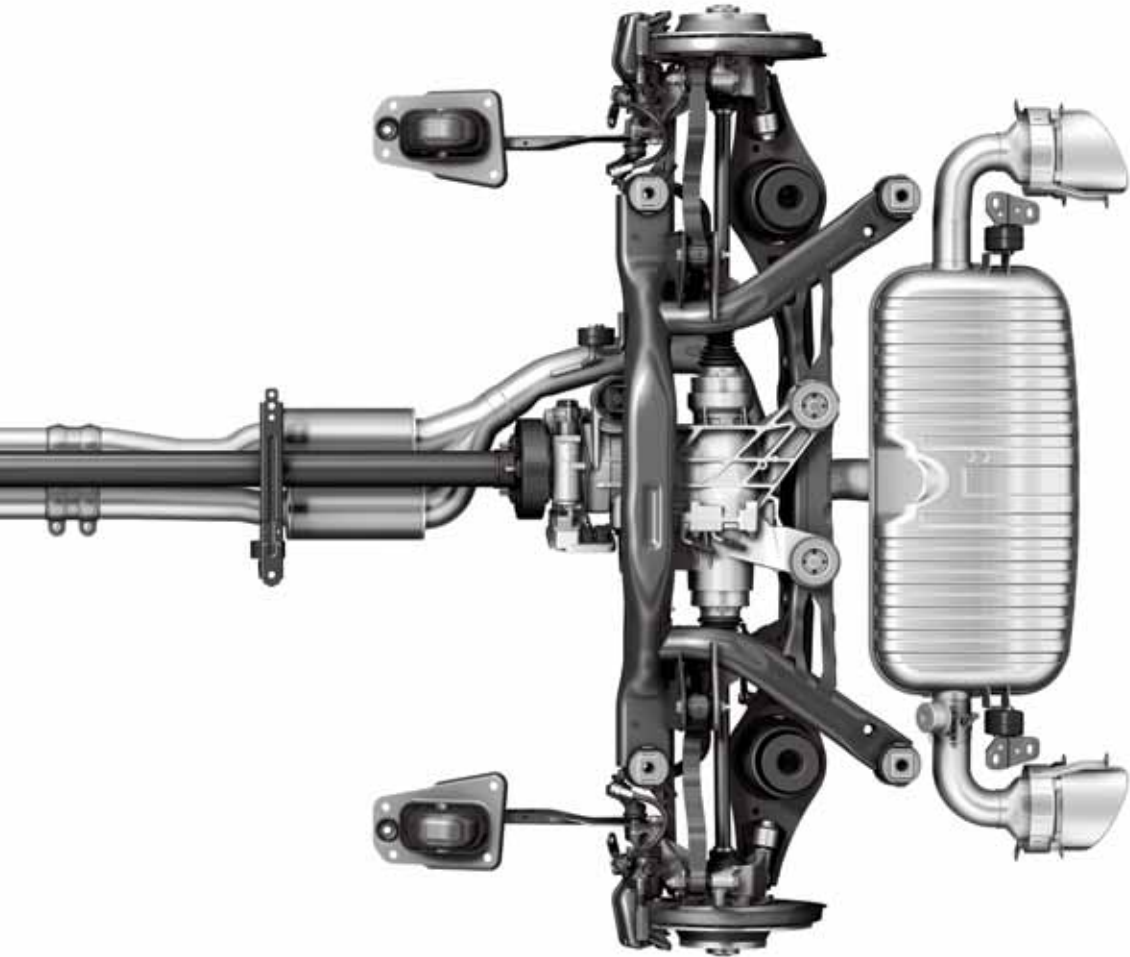
### **S tronic®**

Driving is all about thinking ahead, which is just what the S tronic® dual-clutch transmission does. It works almost as two separate systems, one engaging the odd-numbered and the other the even-numbered gears. So when you're accelerating in second, it has third gear waiting for you. And once you make the switch, it's already thinking about fourth. With two clutches working together, you can change gears almost instantly while experiencing smooth, uninterrupted power.

## quattro®

It's the technology that has given Audi the edge on the racetrack ever since it was first introduced over 25 years ago – a technology that delivers ultimate control whilst enhancing the sporty characteristics which make the Audi A3 so thrilling to drive. It's called quattro® all-wheel-drive. The principle is simple: in the same way that four brakes ensure better deceleration, four driven wheels deliver better acceleration and road-holding, pushing or pulling the car as needed, for a driving experience that's both dynamic and safe.





In the Audi A3 quattro all-wheel-drive continuously distributes drive power between the front and rear axles depending on weather conditions, road surface and gradient, which increases flexibility for an enhanced, sportier drive.

# Standard model equipment

All A3 models have the following items of Standard equipment

## Engine

Automatic Start-Stop function for greater fuel and CO<sub>2</sub> efficiency. Comprising;

- Recuperation for optimal energy utilisation
- Energy saving tips feature in Driver's Information System: including gearshift indicator (if fitted)

(Only available on the 1.4 TFSI®, 1.6 TDI® and 2.0 TDI® 140PS)

## Wheels, tyres and suspension

15" x 6.5J '7-arm' design alloy wheel with 195/65 R15 tyres and locking wheel bolts (A3 3-door 1.6 TDI manual Standard only)

16" x 6.5J '7-arm' design alloy wheels with 205/55 R16 tyres and locking wheel bolts (excludes A3 1.6 TDI manual Standard)

Space-saving spare wheel (excludes A3 1.6 TDI manual Standard)

Tyre Mobility System (TMS) (A3 3-door 1.6 TDI manual Standard only)

## Audio and communication

Chorus radio/single CD player with front speakers

## Seats

Driver and front passenger seat manually adjustable

Easy-entry front seats (3-door only)

'Frequency' cloth upholstery

Seat belts – 3-point on all seats

Split folding rear seats (1/3; 2/3 or all)

## Safety and security

Audi backguard head restraints for front seats (adjustable)

Driver, front passenger and front side airbag system and Sideguard® airbags

Electronic Stability Programme (ESP), including ABS, EBD, ASR and EDL

Halogen headlights

ISOFIX child seat preparation for front passenger seat (with airbag disabling feature) and rear seats

Rear fog light

Rear head restraints (adjustable)

Remote central locking

Servotronic (speed-dependent) power steering

Thatcham Category 1 alarm and immobiliser

Tool kit and car jack

Warning triangle

## Exterior equipment

Body-coloured door mirrors with integrated indicators

Electrically operated and heated door mirrors

## Interior equipment

3-spoke leather steering wheel with gear-shift paddles (1.8 TFSI® and 2.0 TDI® S tronic® models only)

4-spoke leather steering wheel

Dampered grab handles

Electric front and rear windows (Sportback only)

Electric front windows (3-door only)

Front and rear floor mats

Granite, Umbra or Opal inlays and door trim (depending on upholstery colour – see page 38)

Heat-insulating glass

Heated rear windscreen

Manual air conditioning

Manual headlight adjustment

Steering wheel adjustable for height and reach

Washer fluid level indicator



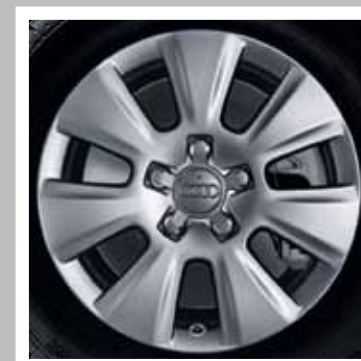
4-spoke leather steering wheel



Body-coloured door mirrors with integrated indicators



Driver, front passenger and front side airbag system



16" x 6.5J '7-arm' design alloy wheels

## SE model equipment

In addition to Standard model equipment

<p><b>Basic RRP</b> £553.19</p> <hr/> <p><b>Total RRP inc VAT</b> £650.00</p>
---

**Wheels, tyres and suspension**  
16" x 6.5J '6-spoke' design alloy wheels with 205/55 R16 tyres

**Exterior equipment**  
Front fog lights

**Interior equipment**  
4-spoke leather multi-function steering wheel (with gear-shift paddles on S tronic® models)  
Front centre armrest  
Driver's Information System



Driver's Information System



16" x 6.5J '6-spoke' design alloy wheels

## Sport model equipment

In addition to SE model equipment

<p>1.4 TFSI®, 1.8 TFSI®, 2.0 TDI® 140PS and 2.0 TDI® 170PS</p> <p><b>Basic RRP</b> No charge</p> <hr/> <p><b>Total RRP inc VAT</b> No charge*</p>
---

<p>All other models</p> <p><b>Basic RRP</b> £1,021.28</p> <hr/> <p><b>Total RRP inc VAT</b> £1,200.00</p>
---

**Wheels, tyres and suspension**  
17" x 6.5J '5-spoke star' design alloy wheels with 225/45 R17 tyres  
Sports suspension (lowered by 15mm)

**Audio and communication**  
AUX-IN socket in front centre compartment  
Concert radio single front-loading CD player with MP3 file compatibility with active front and rear speakers

**Seats**  
'Dynamic' cloth upholstery  
Front Sports seats

**Interior equipment**  
3-spoke leather Sports multi-function steering wheel (with gear-shift paddles on S tronic® models)  
Aluminium medial silver inlays and door trims  
Door sills with aluminium inlays  
Dual-zone electronic climate control  
Sun-blind in rear parcel shelf



17" x 6.5J '5-spoke star' design alloy wheels



Front Sports seats

# S line model equipment

## In addition to Sport model equipment

**Basic RRP**  
£1,319.15

**Total RRP inc VAT**  
£1,550.00

### Wheels, tyres and suspension

18" x 7.5J '7-twin-spoke' design alloy wheels with 225/40 R18 tyres  
S line suspension (10mm lower than Sport)

### Seats

Black Sprint cloth/leather upholstery with embossed S line logo

### Exterior equipment

S line body styling, comprising front bumper with enhanced fins and chrome front fog lamp surrounds  
Rear bumper with platinum grey diffuser insert  
S line badges on front wings  
Chrome-trimmed exhaust tailpipes

### Interior equipment

3-spoke leather S line multi-function steering wheel (with gear-shift paddles on S tronic® models)  
Matt-brushed aluminium inlays  
Door sills with aluminium inlays and S line lettering  
Black leather-trimmed handbrake grip  
Black perforated-leather trimmed gear knob  
Black headlining  
Floor mats with black or silver stitching (dependent on upholstery chosen)



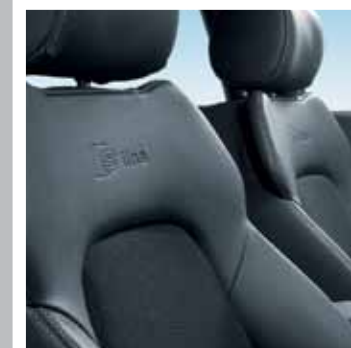
Matt-brushed aluminium inlays



Black perforated leather-trimmed gear knob



18" x 7.5J '7-twin-spoke' design alloy wheels



Black Sprint cloth/leather upholstery with embossed S line logo

## Black Edition model equipment

In addition to S line model equipment

**Basic RRP**  
£787.23

**Total RRP inc VAT**  
£925.00\*

### Wheels, tyres and suspension

18" x 7.5J '7-twin-spoke titanium finish' alloy wheels with 225/40 R18 tyres

### Audio and communication

BOSE® premium sound system  
8 high-performance loudspeakers, 6-channel amplifier, total output of 195 Watts with specially tuned acoustics

### Interior equipment

Flat-bottomed S line multi-function steering wheel (with gear-shift paddles on S tronic® models)

Piano Finish black inlays

### Exterior equipment

Black styling package – radiator grille-frame in highly polished black, with radiator grille and number plate holder in matt black

Privacy glass, dark tinted from B pillar backwards

Xenon Plus headlights with automatic headlight adjustment, dynamic range control, headlight washers and LED daytime-running lights



18" x 7.5J '7-twin-spoke titanium finish' alloy wheels



Flat-bottomed S line multi-function steering wheel



Piano Finish black inlays



Xenon Plus headlights with automatic headlamp adjustment





## In addition to Standard model equipment

Even from a distance, the Audi S3 radiates power. Athletic body styling, 18" alloy wheels, Xenon headlights with LED daytime-running lights and a low-slung body all hint at the breathtaking 265PS of power that awaits you.

### Wheels, tyres and suspension

18" parallel 'S'-spoke alloy wheels with 225/40 R18 Y tyres

### Audio and communication

AUX-IN socket in front centre compartment  
Concert single front-loading CD player with MP3 file compatibility and active front and rear speakers  
Driver's Information System (DIS)

### Seats

Black Silk Nappa leather upholstery with embossing  
Front Sports seats (optional front bucket seats available)  
Heated front seats

### Exterior equipment

2 chrome oval-shaped exhaust pipes  
Aluminium-look door mirror housings  
Black brake callipers with S3 emblem  
'S' body styling  
'S' Sports suspension  
Xenon Plus headlights with automatic headlamp adjustment, dynamic range and headlamp washers with LED daytime-running lights

### Interior equipment

6-speed manual transmission with reduced shift travel  
Aluminium-look pedals  
Dual-zone electronic climate control  
Flat-bottomed leather 3-spoke Sports multi-function steering wheel, with 'S' emblem (with gear-shift paddles on S tronic® models)  
Front and rear floor mats with silver edging  
Front centre armrest

Illuminated vanity mirrors  
Matt-brushed aluminium inlays  
'S' instrument dials  
Door sills with S3 logo

### Safety and security

quattro® all-wheel-drive



Aluminium-look pedals



18" parallel 'S'-spoke alloy wheels



Flat-bottomed multi-function steering wheel, with 'S' emblem



Matt-brushed aluminium inlays



## Black Edition

In addition to S3  
model equipment

**Basic RRP**

£425.53

**Total RRP inc VAT**

£500.00\*

### Wheels, tyres and suspension

18" x 7.5J '7-twin-spoke titanium finish' alloy wheels with 225/40 R18 tyres

### Audio and communication

BOSE® premium sound system  
8 high-performance loudspeakers, 6-channel amplifier, total output of 195 Watts with specially tuned acoustics

### Exterior equipment

Black styling package – radiator grille-frame in highly polished black, with radiator grille and number plate holder in matt black

Privacy glass, dark tinted from B pillar backwards

### Interior equipment

Piano finish black inlays



18" x 7.5J '7-twin-spoke titanium finish' alloy wheels



Privacy glass, dark tinted from B pillar backwards



Piano Finish black inlays



BOSE® premium sound system

## A3 Standard

Engines	Power	Transmissions	Basic RRP	Total RRP inc VAT	Recommended OTR
1.6	102PS	5-speed manual	£12,753.19	£14,985.00	£15,770.00
1.6 Technik*	102PS	5-speed manual	£13,093.62	£15,385.00	£16,170.00
1.4 TFSI	125PS	6-speed manual	£14,182.98	£16,665.00	£17,420.00
1.8 TFSI	160PS	6-speed manual	£15,625.53	£18,360.00	£19,145.00
2.0 TFSI	200PS	6-speed manual	£16,736.17	£19,665.00	£20,450.00
1.6 TDI	105PS	5-speed manual	£14,782.98	£17,370.00	£18,005.00
2.0 TDI	140PS	6-speed manual	£15,906.38	£18,690.00	£19,360.00
2.0 TDI	170PS	6-speed manual	£16,697.87	£19,620.00	£20,375.00
2.0 TDI quattro	170PS	6-speed manual	£17,889.36	£21,020.00	£21,780.00

## A3 Sportback Standard

Engines	Power	Transmissions	Basic RRP	Total RRP inc VAT	Recommended OTR
1.6	102PS	5-speed manual	£13,221.28	£15,535.00	£16,320.00
1.6 Technik*	102PS	5-speed manual	£13,561.70	£15,935.00	£16,720.00
1.4 TFSI	125PS	6-speed manual	£14,651.06	£17,215.00	£17,970.00
1.8 TFSI	160PS	6-speed manual	£16,093.62	£18,910.00	£19,695.00
2.0 TFSI	200PS	6-speed manual	£17,204.26	£20,215.00	£21,025.00
1.6 TDI	105PS	5-speed manual	£15,251.06	£17,920.00	£18,590.00
2.0 TDI	140PS	6-speed manual	£16,374.47	£19,240.00	£19,910.00
2.0 TDI	170PS	6-speed manual	£17,165.96	£20,170.00	£20,925.00
2.0 TDI quattro	170PS	6-speed manual	£18,357.45	£21,570.00	£22,330.00

**Please note:** The maximum power output figures are quoted in PS (or Pferdestärke, which is the metric equivalent of brake horsepower). To convert to brake horsepower, divide the PS figure by 1.0139.

**Recommended On-The-Road (OTR) retail prices include:** delivery charge, half a tank of fuel, number plates at £580.00 (inc. VAT), Road Fund Licence (which may vary depending on model/transmission – see page 62 for details) and first registration fee at £55.00. Vehicle Excise Duty correct at time of going to print, but this may alter to reflect any change in the applicable VED rate.

RRP – Recommended Retail Price. VAT is calculated at 17.5% but this may alter to reflect any change in the applicable VAT rate.

## A3 SE

Engines	Power	Transmissions	Basic RRP	Total RRP inc VAT	Recommended OTR
1.6	102PS	5-speed manual	£13,306.38	£15,635.00	£16,420.00
1.6 Technik*	102PS	5-speed manual	£13,646.81	£16,035.00	£16,820.00
1.4 TFSI	125PS	6-speed manual	£14,736.17	£17,315.00	£18,070.00
1.8 TFSI	160PS	6-speed manual	£16,178.72	£19,010.00	£19,795.00
2.0 TFSI	200PS	6-speed manual	£17,289.36	£20,315.00	£21,100.00
1.6 TDI	105PS	5-speed manual	£15,336.17	£18,020.00	£18,690.00
2.0 TDI	140PS	6-speed manual	£16,459.57	£19,340.00	£20,010.00
2.0 TDI	170PS	6-speed manual	£17,251.06	£20,270.00	£21,025.00
2.0 TDI quattro	170PS	6-speed manual	£18,442.55	£21,670.00	£22,430.00

## A3 Sportback SE

Engines	Power	Transmissions	Basic RRP	Total RRP inc VAT	Recommended OTR
1.6	102PS	5-speed manual	£13,774.47	£16,185.00	£16,970.00
1.6 Technik*	102PS	5-speed manual	£14,114.89	£16,585.00	£17,370.00
1.4 TFSI	125PS	6-speed manual	£15,204.26	£17,865.00	£18,620.00
1.8 TFSI	160PS	6-speed manual	£16,646.81	£19,560.00	£20,345.00
2.0 TFSI	200PS	6-speed manual	£17,757.45	£20,865.00	£21,675.00
1.6 TDI	105PS	5-speed manual	£15,804.26	£18,570.00	£19,240.00
2.0 TDI	140PS	6-speed manual	£16,927.66	£19,890.00	£20,560.00
2.0 TDI	170PS	6-speed manual	£17,719.15	£20,820.00	£21,575.00
2.0 TDI quattro	170PS	6-speed manual	£18,910.64	£22,220.00	£22,980.00

\*Valid for new vehicle orders placed up to 31 March 2010. Offers are subject to availability.

## A3 Sport

Engines	Power	Transmissions	Basic RRP	Total RRP inc VAT	Recommended OTR
1.6	102PS	5-speed manual	£14,327.66	£16,835.00	£17,620.00
1.4 TFSI	125PS	6-speed manual	£14,736.17	£17,315.00	£18,070.00
1.8 TFSI	160PS	6-speed manual	£16,178.72	£19,010.00	£19,795.00
2.0 TFSI	200PS	6-speed manual	£18,310.64	£21,515.00	£22,300.00
2.0 TFSI quattro	200PS	6-speed S tronic	£20,736.17	£24,365.00	£25,175.00
1.6 TDI	105PS	5-speed manual	£16,357.45	£19,220.00	£19,890.00
2.0 TDI	140PS	6-speed manual	£16,459.57	£19,340.00	£20,010.00
2.0 TDI	170PS	6-speed manual	£17,251.06	£20,270.00	£21,025.00
2.0 TDI quattro	170PS	6-speed manual	£18,442.55	£21,670.00	£22,430.00

## A3 Sportback Sport

Engines	Power	Transmissions	Basic RRP	Total RRP inc VAT	Recommended OTR
1.6	102PS	5-speed manual	£14,795.74	£17,385.00	£18,170.00
1.4 TFSI	125PS	6-speed manual	£15,204.26	£17,865.00	£18,620.00
1.8 TFSI	160PS	6-speed manual	£16,646.81	£19,560.00	£20,345.00
2.0 TFSI	200PS	6-speed manual	£18,778.72	£22,065.00	£22,875.00
2.0 TFSI quattro	200PS	6-speed S tronic	£21,204.26	£24,915.00	£25,725.00
1.6 TDI	105PS	5-speed manual	£16,825.53	£19,770.00	£20,440.00
2.0 TDI	140PS	6-speed manual	£16,927.66	£19,890.00	£20,560.00
2.0 TDI	170PS	6-speed manual	£17,719.15	£20,820.00	£21,575.00
2.0 TDI quattro	170PS	6-speed manual	£18,910.64	£22,220.00	£22,980.00

## A3 S line

Engines	Power	Transmissions	Basic RRP	Total RRP inc VAT	Recommended OTR
1.6	102PS	5-speed manual	£15,646.81	£18,385.00	£19,170.00
1.4 TFSI	125PS	6-speed manual	£16,055.32	£18,865.00	£19,620.00
1.8 TFSI	160PS	6-speed manual	£17,497.87	£20,560.00	£21,345.00
2.0 TFSI	200PS	6-speed manual	£19,629.79	£23,065.00	£23,850.00
2.0 TFSI quattro	200PS	6-speed S tronic	£22,055.32	£25,915.00	£26,725.00
1.6 TDI	105PS	5-speed manual	£17,676.60	£20,770.00	£21,440.00
2.0 TDI	140PS	6-speed manual	£17,778.72	£20,890.00	£21,560.00
2.0 TDI	170PS	6-speed manual	£18,570.21	£21,820.00	£22,575.00
2.0 TDI quattro	170PS	6-speed manual	£19,761.70	£23,220.00	£23,980.00

## A3 Sportback S line

Engines	Power	Transmissions	Basic RRP	Total RRP inc VAT	Recommended OTR
1.6	102PS	5-speed manual	£16,114.89	£18,935.00	£19,720.00
1.4 TFSI	125PS	6-speed manual	£16,523.40	£19,415.00	£20,170.00
1.8 TFSI	160PS	6-speed manual	£17,965.96	£21,110.00	£21,895.00
2.0 TFSI	200PS	6-speed manual	£20,097.87	£23,615.00	£24,425.00
2.0 TFSI quattro	200PS	6-speed S tronic	£22,523.40	£26,465.00	£27,275.00
1.6 TDI	105PS	5-speed manual	£18,144.68	£21,320.00	£21,990.00
2.0 TDI	140PS	6-speed manual	£18,246.81	£21,440.00	£22,110.00
2.0 TDI	170PS	6-speed manual	£19,038.30	£22,370.00	£23,125.00
2.0 TDI quattro	170PS	6-speed manual	£20,229.79	£23,770.00	£24,530.00

**Please note:** The maximum power output figures are quoted in PS (or Pferdestärke, which is the metric equivalent of brake horsepower). To convert to brake horsepower, divide the PS figure by 1.0139.

**Recommended On-The-Road (OTR) retail prices include:** delivery charge, half a tank of fuel, number plates at £580.00 (inc. VAT), Road Fund Licence (which may vary depending on model/transmission – see page 62 for details) and first registration fee at £55.00. Vehicle Excise Duty correct at time of going to print, but this may alter to reflect any change in the applicable VED rate.

RRP – Recommended Retail Price. VAT is calculated at 17.5% but this may alter to reflect any change in the applicable VAT rate.

## A3 Black Edition

Engines	Power	Transmissions	Basic RRP	Total RRP inc VAT	Recommended OTR
1.8 TFSI	160PS	6-speed manual	£18,285.11	£21,485.00	£22,270.00
2.0 TFSI	200PS	6-speed manual	£20,417.02	£23,990.00	£24,775.00
2.0 TFSI quattro	200PS	6-speed S tronic	£22,842.55	£26,840.00	£27,650.00
2.0 TDI	140PS	6-speed manual	£18,565.96	£21,815.00	£22,485.00
2.0 TDI	170PS	6-speed manual	£19,357.45	£22,745.00	£23,500.00
2.0 TDI quattro	170PS	6-speed manual	£20,548.94	£24,145.00	£24,905.00

## A3 Sportback Black Edition

Engines	Power	Transmissions	Basic RRP	Total RRP inc VAT	Recommended OTR
1.8 TFSI	160PS	6-speed manual	£18,753.19	£22,035.00	£22,820.00
2.0 TFSI	200PS	6-speed manual	£20,885.11	£24,540.00	£25,350.00
2.0 TFSI quattro	200PS	6-speed S tronic	£23,310.64	£27,390.00	£28,200.00
2.0 TDI	140PS	6-speed manual	£19,034.04	£22,365.00	£23,035.00
2.0 TDI	170PS	6-speed manual	£19,825.53	£23,295.00	£24,050.00
2.0 TDI quattro	170PS	6-speed manual	£21,017.02	£24,695.00	£25,455.00

## S3

Engine	Power	Transmission	Basic RRP	Total RRP inc VAT	Recommended OTR
2.0 TFSI quattro	265PS	6-speed manual	£23,319.15	£27,400.00	£28,250.00

Please note: The maximum power output figures are quoted in PS (or Pferdestärke, which is the metric equivalent of brake horsepower). To convert to brake horsepower, divide the PS figure by 1.0139.

Recommended On-The-Road (OTR) retail prices include: delivery charge, half a tank of fuel, number plates at £580.00 (inc. VAT), Road Fund Licence (which may vary depending on model/transmission see page 62 for details) and first registration fee at £55.00. Vehicle Excise Duty correct at time of going to print, but this may alter to reflect any change in the applicable VED rate.

RRP – Recommended Retail Price. VAT is calculated at 17.5% but this may alter to reflect any change in the applicable VAT rate.

## S3 Sportback

Engine	Power	Transmission	Basic RRP	Total RRP inc VAT	Recommended OTR
2.0 TFSI quattro	265PS	6-speed manual	£23,787.23	£27,950.00	£28,800.00

## S3 Black Edition

Engine	Power	Transmission	Basic RRP	Total RRP inc VAT	Recommended OTR
2.0 TFSI quattro	265PS	6-speed manual	£23,744.68	£27,900.00	£28,750.00

## S3 Sportback Black Edition

Engine	Power	Transmission	Basic RRP	Total RRP inc VAT	Recommended OTR
2.0 TFSI quattro	265PS	6-speed manual	£24,212.77	£28,450.00	£29,300.00

## Transmissions

	6-speed S tronic	7-speed S tronic
1.6	–	●
1.4 TFSI	–	●
1.8 TFSI	–	●
2.0 TFSI*	●	–
2.0 TFSI quattro	S	–
S3 quattro	●	–
1.6 TDI	–	●
2.0 TDI (140 and 170PS)	●	–
2.0 TDI quattro	–	–
<b>Basic RRP</b>	<b>£1,234.04</b>	<b>£1,234.04</b>
<b>Total RRP inc. VAT</b>	<b>£1,450.00</b>	<b>£1,450.00</b>

– = Not available   ● = Available   S = Standard

\*2.0 TFSI S tronic only available on Sport and S line models.



## Audi exclusive



## Audi exclusive

Every Audi is intrinsically exclusive. It's the breathtaking design, the exceptional engineering, the Vorsprung durch Technik. But for that special touch you can specify your new A3 with options from Audi exclusive. Whether you want a unique, custom-mixed paint colour or seats in a combination of complementary shades, Audi exclusive will enable you to drive the car you've always imagined.

Both the exclusive and standard options can be found on the following pages.





## Audi exclusive line





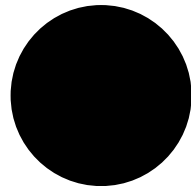
# Paint

You can select one of the standard colours shown opposite or, for a different look, choose from the range of metallic or pearl effect finishes.

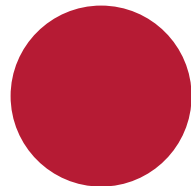
## Standard colours



Ibis white+ - T9

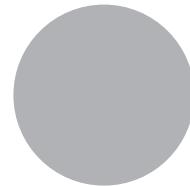


Brilliant black+ - A2

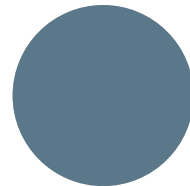


Brilliant red+ - CB

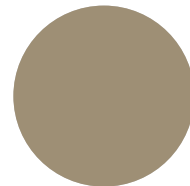
## Optional colours



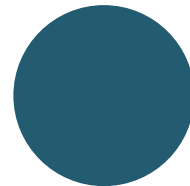
Ice silver, metallic+ - P5



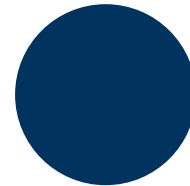
Sphere blue, metallic\* - 9F



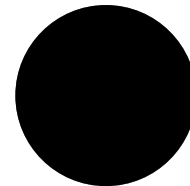
Dakar beige, metallic^A - 9X



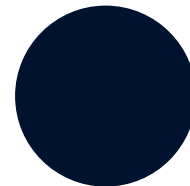
Glass blue, pearl effect\* - 5G



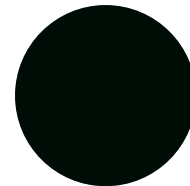
Aruba blue, pearl effect\* - Q9



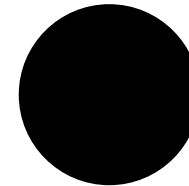
Lava grey, pearl effect\* - 1R



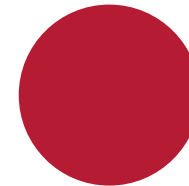
Deep sea blue, pearl effect - 8A



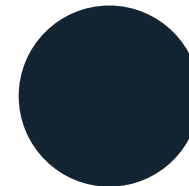
Deep green, pearl effect\* - 3W



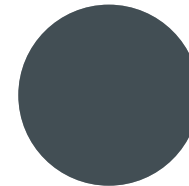
Phantom black, pearl effect+ - L8



Garnet red, pearl effect\* - 9C

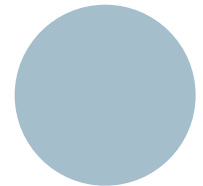


Meteor grey, metallic - X5

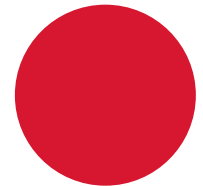


Condor grey, metallic - 5Q

## S line colours



Monza silver, metallic - U7



Misano red, pearl effect - N9

Options are subject to availability and may extend delivery.

\*Not available on S3 models.

^Only available on Sportback models.

\*Included in a limited range of A3 and S3 Black Edition paint choices

All the colour swatches on this page are matched as accurately as possible to the actual paint colours used. However, due to print processes, Audi UK cannot guarantee that colours shown are 100% accurate.

Visit your local Audi Centre for a more accurate colour swatch.

RRP - Recommended Retail Price.

VAT is calculated at 17.5% but this may alter to reflect any change in the applicable VAT rate.

### Optional colours

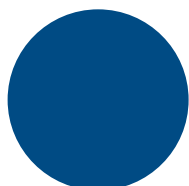
**Basic RRP**  
£425.53

**Total RRP inc VAT**  
£500.00

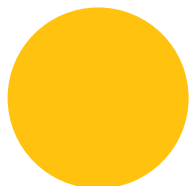
## S3 colours



Solar orange – 3F



Sprint blue, pearl effect – 5N



Imola yellow – 1T

## Paint

### Audi exclusive

Everyone has a favourite colour. No matter what yours is, Audi exclusive provides a range of unique colours that have been designed to set your car apart. Choose from the swatches here, or specify any other paint colour in the Audi range – whether it's Jet blue from the Audi R8 or Alpine white from the original Audi quattro. The choice is yours.

### Customised

If you have a particular colour in mind, we'll mix the exact metallic or pearl-effect shade you want.\*

\*Custom paint is subject to factory approval, and is available for metallic and pearl-effect water-based paints only. Three-colour process colours and two-tone schemes are not available.

\*\*Not available on standard models.

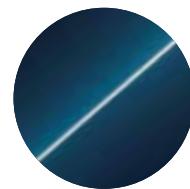
All the colour swatches on this page are matched as accurately as possible to the actual paint colours used. However, due to print processes, Audi UK cannot guarantee that colours shown are 100% accurate.

Visit your local Audi Centre for a more accurate colour swatch.

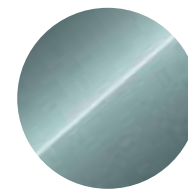
Please note these colours are not available on Black Edition models.

RRP – Recommended Retail Price.

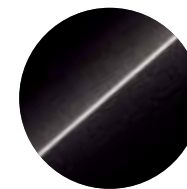
VAT is calculated at 17.5% but this may alter to reflect any change in the applicable VAT rate.



Palace blue, pearl effect



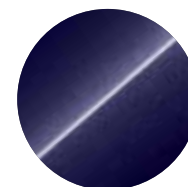
Morning dew, metallic



Saddle brown, pearl effect



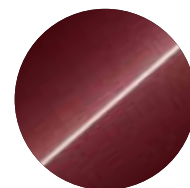
Sand beige, pearl effect



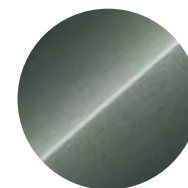
Velvet purple, pearl effect



Any colour in the Audi range



Classic red, pearl effect



Oak green, metallic



Customised paint

### Audi exclusive\*\*

Basic RRP  
£1,446.81

Total RRP inc VAT  
£1,700.00

### Customised\*\*

Basic RRP  
£2,042.55

Total RRP inc VAT  
£2,400.00

# Upholstery

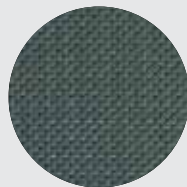
## A3 Standard seats

Choose your favourite upholstery from the swatches shown opposite to give your car's interior the look and feel you want.

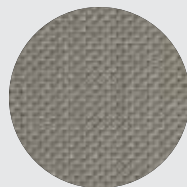
	Standard	SE	Sport	S line	Black Edition	S3	S3 Black Edition	Basic RRP	Total RRP inc VAT
<b>Frequency cloth</b>	S	S	-	-	-	-	-	No charge	No charge
<b>Vienna leather†</b>	•	•	-	-	-	-	-	£1,021.28†	£1,200.00†



Black - MB



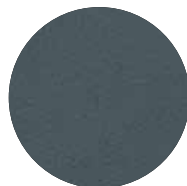
Mineral grey - BW



Light grey - BX



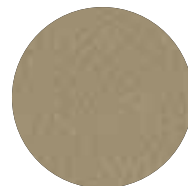
Black - MB



Mineral grey - BW



Light grey - BX



Luxor beige - BU/BV\*

Options are subject to availability and may extend delivery.

- = Not available
- = Available
- S = Standard

\*BU on 3-door/BV on Sportback  
 †Not available on A3 3-door 1.6 TDI manual Standard

All leather upholstery choices include seats, head restraints and front centre armrest (if fitted) in leather.

RRP - Recommended Retail Price.

VAT is calculated at 17.5% but this may alter to reflect any change in the applicable VAT rate.

# Upholstery

## A3 Sports seats

Options are subject to availability and may extend delivery.

- = Not available
- = Available
- S = Standard


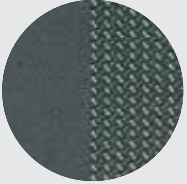
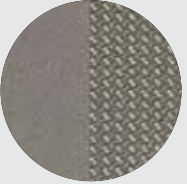
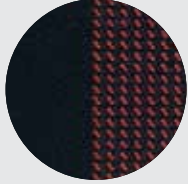







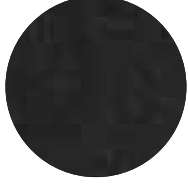


\*BU on 3-door/BV on Sportback

All leather upholstery choices include seats, head restraints and front centre armrest (if fitted) in leather.

Leather/Alcantara choices include head restraints, seat side bolster and front centre armrest in leather with the seat centres and door panels in Alcantara.




RRP – Recommended Retail Price.

VAT is calculated at 17.5% but this may alter to reflect any change in the applicable VAT rate.

									Standard	SE	Sport	S line	Black Edition	S3	S3 Black Edition	Basic RRP	Total RRP inc VAT
Dynamic cloth									-	-	S	-	-	-	-	No charge	No charge
	Black/silver – BS	Mineral grey – BW	Light grey – BX														
																	
	Black/red – MR	Black/blue – MQ															
Leather/Alcantara									-	-	•	-	-	-	-	£655.32	£770.00
	Black – MB	Light grey – BX															
Vienna leather									-	-	•	-	-	-	-	£851.06	£1,000.00
	Black – MB	Mineral grey – BW	Light grey – BX	Luxor beige – BU/BV*													
Fine Nappa leather									-	-	•	-	-	-	-	£1,021.28	£1,200.00
	Black – MB	Red – CW	Mustang brown – BT														

# Upholstery

## A3 S line and Black Edition seats

		Standard	SE	Sport	S line	Black Edition	S3	S3 Black Edition	Basic RRP	Total RRP inc VAT
Sprint cloth/leather	 Black - QF/QE	-	-	-	S	S	-	-	No charge	No charge
Perforated Leather/Alcantara	 Black - QF/QE	-	-	-	•	•	-	-	£400.00	£470.00
Vienna leather	 Black - QE	-	-	-	•	•	-	-	£595.74	£700.00

Options are subject to availability and may extend delivery.

- = Not available
- = Available
- S = Standard

All leather upholstery choices include seats, head restraints and front centre armrest (if fitted) in leather.

Leather/Alcantara choices include head restraints, seat side bolster and front centre armrest in leather with the seat centres and door panels in Alcantara.

RRP - Recommended Retail Price.

VAT is calculated at 17.5% but this may alter to reflect any change in the applicable VAT rate.

# Upholstery

## S3 and S3 Black Edition seats

Options are subject to availability and may extend delivery.

- = Not available
- = Available
- S = Standard



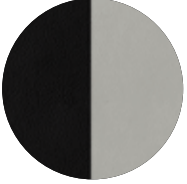
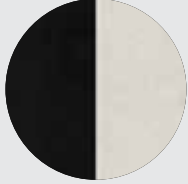
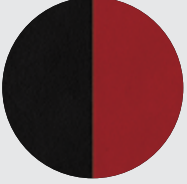
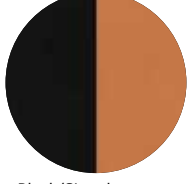
All leather upholstery choices include seats, head restraints and front centre armrest (if fitted) in leather.

Leather/Alcantara choices include head restraints, seat side bolster and front centre armrest in leather with the seat centres and door panels in Alcantara.

\*Includes contrasting stitching

RRP – Recommended Retail Price.

VAT is calculated at 17.5% but this may alter to reflect any change in the applicable VAT rate.

		Standard	SE	Sport	S line	Black Edition	S3	S3 Black Edition	Basic RRP	Total RRP inc VAT
Embossed Silk Nappa leather		-	-	-	-	-	S	S	No charge	No charge
	Black - ZM/ZN									
Pearl leather/Alcantara		-	-	-	-	-	•	•	No charge	No charge
	Black - ZM/ZN									
										
	Black/Silver - ZW/ZX									
Two-tone Silk Nappa leather		-	-	-	-	-	•	•	£255.32	£300.00
	Silver/Black* - ZB/ZA									
										
	Magma red/Black* - FA/FD									
		-	-	-	-	-	•	•	£1,659.57	£1,950.00
	Black/Signal orange exclusive* - PYZ/S3G									
	<b>Audi exclusive two-tone Silk Nappa leather seats in Black/Orange.</b> Seat-centre section in Signal orange leather, seat-side sections and head restraints in Black leather with contrasting Orange stitching. Steering wheel, handbrake handle and gear-lever gaiter in Black leather with Orange stitching. Black front and rear floor mats with Orange leather piping									



# Colour and trim guide

## Interior trim colours

### Standard and SE seats

To help you choose the right interior for your new Audi A3, please use this guide, showing the carpet, dashboard and headlining colours that have been matched to your chosen upholstery.

Order Code	Upholstery	Carpet	Dashboard (upper/lower)	Headlining	Frequency cloth (N5G)	Vienna leather (WLV)+	Leather/Alcantara (N7U)	Fine Nappa leather (N3Q)
<b>MB</b>	Black	Black	Black/Black	Silver	●	●	–	–
<b>BW</b>	Mineral grey	Mineral grey	Black/Mineral grey	Silver	●	●	–	–
<b>BX</b>	Light grey	Light grey	Black/Light grey	Silver	●	●	–	–
<b>BU*</b>	Luxor beige	Black	Black/Black	Beige	–	●	–	–
<b>BV**</b>	Luxor beige	Luxor beige	Black/Luxor beige	Beige	–	●	–	–

### Sport seats

Order Code	Upholstery	Carpet	Dashboard (upper/lower)	Headlining	Dynamic cloth (N5B)	Vienna leather (N1A)	Leather/Alcantara (N7U)	Fine Nappa leather (N3Q)	exclusive line package (WQK)
<b>BS</b>	Black/Silver	Black	Black/Black	Silver	●	–	–	–	–
<b>MQ</b>	Black/Blue	Black	Black/Black	Silver	●	–	–	–	–
<b>MR</b>	Black/Red	Black	Black/Black	Silver	●	–	–	–	–
<b>BW</b>	Mineral grey	Mineral grey	Black/Mineral grey	Silver	●	●	–	–	–
<b>BX</b>	Light grey	Light grey	Black/Light grey	Silver	●	●	●	–	–
<b>MB</b>	Black	Black	Black/Black	Silver	–	●	●	●	–
<b>BU*</b>	Luxor beige	Black	Black/Black	Beige	–	●	–	–	–
<b>BV**</b>	Luxor beige	Luxor beige	Black/Luxor beige	Beige	–	●	–	–	–
<b>BT</b>	Mustang brown	Black	Black/Black	Silver	–	–	–	●	–
<b>CW</b>	Red	Black	Black/Black	Silver	–	–	–	●	–
<b>QY</b>	Crimson red/Black	Black	Black/Black	Black	–	–	–	–	●
<b>QL</b>	Silver/Black	Black	Black/Black	Black	–	–	–	–	●
<b>QX</b>	Cognac/Black	Black	Black/Black	Black	–	–	–	–	●

Options are subject to availability and may extend delivery.

– = Not available  
● = Available  
S = Standard

\*3-door only.

\*\*Sportback only.

\*Not available on A3 3-door 1.6 TDI manual Standard

# Colour and trim guide

## Interior trim colours

### S line and Black Edition seats

Order Code	Upholstery	Carpet	Dashboard (upper/lower)	Headlining	Sprint cloth/leather (N7V)	Vienna leather (N1R)	Leather/Perforated Alcantara (N7K)	exclusive line package (WQI)
QE	Black (with black stitching)	Black	Black/Black	Black	●	●	●	–
QF	Black (with silver stitching)	Black	Black/Black	Black	●	–	●	–
QY	Crimson red/Black	Black	Black/Black	Black	–	–	–	●
QL	Silver/Black	Black	Black/Black	Black	–	–	–	●
QX	Cognac/Black	Black	Black/Black	Black	–	–	–	●

### S3 and S3 Black Edition seats

Order Code	Upholstery	Carpet	Dashboard (upper/lower)	Headlining	Silk Nappa leather, embossed (N1U)	Two-tone Silk Nappa leather with contrasting stitching (N5X)	Pearl leather/Alcantara (N7U)	Bucket seats in Fine Nappa leather (P55)
ZM	Black	Black	Black/Black	Black	●	–	●	●
ZN	Black	Black	Black/Black	Silver	●	–	●	●
ZA	Silver/Black	Black	Black/Black	Black	–	●	–	–
ZB	Silver/Black	Black	Black/Black	Silver	–	●	–	–
FA	Magma red/Black	Black	Black/Black	Black	–	●	–	–
FD	Magma red/Black	Black	Black/Black	Silver	–	●	–	–
ZM	Signal orange/Black**	Black	Black/Black	Black	–	●	–	–
ZN	Signal orange/Black**	Black	Black/Black	Silver	–	●	–	–
ZW	Black/Silver	Black	Black/Black	Black	–	–	●	–
ZX	Black/Silver	Black	Black/Black	Silver	–	–	●	–

Options are subject to availability and may extend delivery.

– = Not available  
● = Available  
S = Standard

\*\*Only available through Audi exclusive.

# Upholstery

## Audi exclusive

With Audi exclusive, you can specify your seats in Fine Nappa leather, in an array of different colours shown to the right.

Select just one all-over shade for each seat, or customise each panel in two or more complementary colours from the distinctive Audi exclusive palette. You can even choose the colour of the decorative stitching – to match or contrast with your chosen upholstery – from this varied collection. Whatever combination you decide upon, we think you'll be extremely comfortable with the result.

Options are subject to availability and may extend delivery.

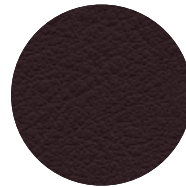
– = Not available  
• = Available  
S = Standard

\*Not available in Alcantara.  
\*\*Only in combination with Sport seats.

RRP – Recommended Retail Price.

VAT is calculated at 17.5% but this may alter to reflect any change in the applicable VAT rate.

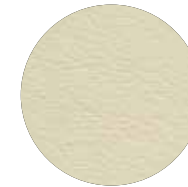
Order Code		Standard	SE	Sport	S line	Black Edition	S3	S3 Black Edition	Basic RRP	Total RRP inc VAT
PYA/S3G	<b>Audi exclusive leather package 1 in Fine Nappa leather</b> – leather-covered seat upholstery with Alcantara door trim inserts, all of which are colour-coordinated with the option of contrasting stitching on seat side sections and head restraints**	–	–	–	–	–	–	–	£2,510.64	£2,950.00
		–	–	•	–	–	–	–	£2,340.43	£2,750.00
		–	–	–	•	–	–	–	£2,085.11	£2,450.00
		–	–	–	–	–	•	–	£1,659.57	£1,950.00
PYC/S3G	<b>Audi exclusive leather package 1 in Fine Nappa leather/Alcantara</b> – front and back seats, head restraints, door trim inserts, front centre armrest (if ordered), seat side trims and add-on seat parts are covered in leather, seat centre sections are covered in Alcantara, and all are colour-coordinated with the option of contrasting stitching on seat side sections and head restraints**	–	–	–	–	–	–	–	£2,510.64	£2,950.00
		–	–	•	–	–	–	–	£2,340.43	£2,750.00
		–	–	–	•	–	•	–	£2,085.11	£2,450.00
YSI/S3G	<b>Audi exclusive extended leather package</b> – knee pads and door handles in exclusive leather. Not available on A3 3-door 1.6 TDI manual Standard	•	•	•	•	–	•	–	£676.60	£795.00



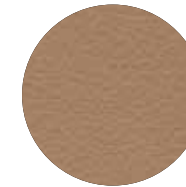
Chestnut brown



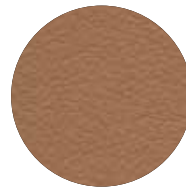
Jet grey\*



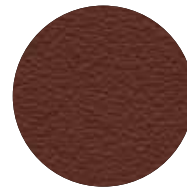
Alabaster white



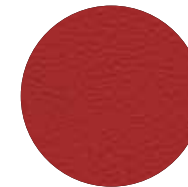
Sand beige



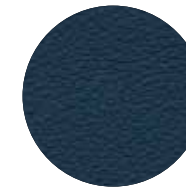
Cocos



Saddle brown



Crimson red\*



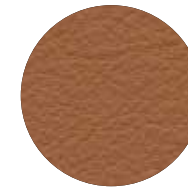
Palace blue



Magnolia



Havanna brown



Cognac

### Also available:

**Alcantara colours:** available in all of the above Audi exclusive colours, except for Crimson red, Jet grey and Sand beige. Alcantara equivalents are Chill red, Amethyst grey, and Sesame beige respectively.

**Carpet colours:** available in all of the above Audi exclusive colours, except for Crimson red and Saddle brown. Please consult your Audi Centre for examples of Alcantara and carpet colours.

Please consult your Audi Centre for examples of Alcantara and carpet colours

# Upholstery

## Audi exclusive line

Audi exclusive is ultimately about choice – but if you'd rather leave some of the decisions in the capable hands of our designers, the expert team at quattro GmbH have compiled Audi exclusive line, combining some of the most popular elements of the exclusive range in one, beautifully coordinated package.

Options are subject to availability and may extend delivery.

- = Not available  
• = Available  
S = Standard

\*On S line models, S line door sills supersede exclusive line door sills.

\*\*Replaced in lieu of flat-bottomed steering wheel on Black Edition

RRP – Recommended Retail Price.

VAT is calculated at 17.5% but this may alter to reflect any change in the applicable VAT rate.

Order Code		Standard	SE	Sport	S line	Black Edition	S3	S3 Black Edition	Basic RRP	Total RRP inc VAT
<b>WQK</b>	<b>Audi exclusive line</b>	-	-	•	-	-	-	-	£1,702.13	£2,000.00
<b>WQI</b>	<b>Audi exclusive line</b>	-	-	-	•	•	-	-	£851.06	£1,000.00



Crimson red/Black – QY



Cognac/Black – QX



Silver/Black – QL

### This package includes

- ▶ Sports seats in two-tone Fine Nappa leather, with black seat-side sections with coloured stitching and coloured seat centre section in Crimson red, Silver or Cognac
- ▶ Door-trim inserts in black to match interior trim
- ▶ Black dashboard and carpets
- ▶ Black cloth headlining
- ▶ Audi exclusive door sill trims\*
- ▶ Matt-brushed aluminium inlays
- ▶ Floor mats in black with coloured piping (to match seat-centre section)
- ▶ 3-spoke leather steering wheel (S tronic with gear-shift paddles)\*\*
- ▶ Steering wheel rim and gear lever gaiter with coloured stitching in matching colour to seat-centre section
- ▶ Head restraints with coloured stitching in matching colour to seat-centre section

# Inlays

Inlays are the all-important finishing touch that add flair and interest to your car's interior.

Order Code		Standard	SE	Sport	S line	Black Edition	S3	S3 Black Edition	Basic RRP	Total RRP inc VAT
<b>6Q6</b>	<b>Aluminium gear knob.</b> Only in combination with manual transmission	-	-	●	●	●	-	-	£85.11	£100.00
<b>5TZ</b>	<b>Fine grain birch wood, grey</b>	-	-	-	-	-	●	-	No charge	No charge
<b>5MC</b>	<b>Granite,* Umbra,* Opal*</b>	S	S	-	-	-	-	-	No charge	No charge
<b>5TD</b>	<b>Medial aluminium</b>	-	-	S	-	-	-	-	No charge	No charge
<b>5TG</b>	<b>Matt-brushed aluminium</b>	-	-	-	S	-	S	-	No charge	No charge
<b>5TL</b>	<b>Piano Finish black</b>	-	-	-	●	S	●	S	No charge	No charge
<b>5MG</b>	<b>Walnut brown wood</b> (includes wooden gear knob on manual transmission)	●	●	-	-	-	-	-	£302.13	£355.00
<b>6Q3</b>		-	-	●	-	-	-	-	£148.94	£175.00



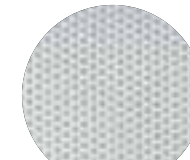
Granite\* – 5MC



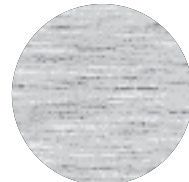
Umbra\* – 5MC



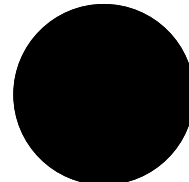
Opal\* – 5MC



Medial aluminium – 5TD



Matt-brushed aluminium – 5TG



Piano Finish black – 5TL



Fine grain birch wood, grey – 5TZ



Walnut brown wood – 5MG/6Q3

Options are subject to availability and may extend delivery.

- = Not available  
● = Available  
S = Standard

\*Light grey and Luxor beige upholstery includes Umbra inlays. Black upholstery includes Granite inlays. Mineral grey upholstery includes Opal inlays.

RRP – Recommended Retail Price.

VAT is calculated at 17.5% but this may alter to reflect any change in the applicable VAT rate.

# Inlays

## Audi exclusive

Audi exclusive has sourced a wide range of materials which you can select for your inlays, from Sepia oak to rich quilted Maple wood.

Order Code		Standard	SE	Sport	S Line	Black Edition	S3	S3 Black Edition	Basic RRP	Total RRP inc VAT
YTA/S3G	<b>Audi exclusive inlays</b>	•	•	•	•	–	•	–	£651.06	£765.00
YTD/YTG/S3G	<b>Audi exclusive wooden gear knob (only in combination with matching exclusive inlays)</b>	•	•	•	•	–	•	–	£204.26	£240.00



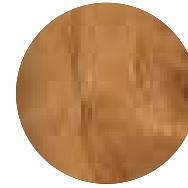
Fine grain maple, copper



Fine grain ash, nougat



Fine grain myrtle, nutmeg



Poplar, saffron



Oak, sepia



Quilted maple, gold

Options are subject to availability and may extend delivery.

- = Not available
- = Available
- S = Standard

RRP – Recommended Retail Price.

VAT is calculated at 17.5% but this may alter to reflect any change in the applicable VAT rate.

## Wheels, tyres and suspension

Choose a set of specially-selected alloy wheels to subtly enhance the way your car looks.



17" x 7.5J '10-spoke V' design  
alloy wheels – CH7



17" x 7.5J '5-arm dynamic' design  
alloy wheels – C4F



17" x 7.5J '16-spoke' design  
alloy wheels – C4N



17" x 7.5J '5-spoke' design  
alloy wheels – CP4



18" x 7.5J '20-spoke' design  
alloy wheels – C2Q

# Wheels, tyres and suspension

Order Code		Standard	SE	Sport	S line	Black Edition	S3	S3 Black Edition	Basic RRP	Total RRP inc VAT
C4F	17" x 7.5J '5-arm dynamic design' alloy wheels with 225/45 R17 tyres*	●	●	—	—	—	—	—	£425.53	£500.00
		—	—	●	—	—	—	—	£255.32	£300.00
C4N	17" x 7.5J '16-spoke' design alloy wheels with 225/45 R17 tyres*	●	●	—	—	—	—	—	£468.09	£550.00
		—	—	●	—	—	—	—	£297.87	£350.00
CH7	17" x 7.5J '10-spoke V' design alloy wheels with 225/45 R17 tyres*	●	●	—	—	—	—	—	£553.19	£650.00
		—	—	●	—	—	—	—	£382.98	£450.00
CP4	17" x 7.5J '5-spoke' design alloy wheels with 225/45 R17 tyres*	●	●	—	—	—	—	—	£553.19	£650.00
		—	—	●	—	—	—	—	£382.98	£450.00
C2Q	18" x 7.5J '20-spoke' design alloy wheels with 225/40 R18 tyres*	●	●	—	—	—	—	—	£927.66	£1,090.00
		—	—	●	—	—	—	—	£757.45	£890.00
		—	—	—	●	—	—	—	£170.21	£200.00
		—	—	—	—	—	●	—	£442.55	£520.00
PDH	Audi magnetic ride. Adaptive suspension system with two selectable modes (Normal or Sport). Sensors in the car monitor the road conditions and adjust the damping effect by varying a magnetic charge which passes through a fluid-based shock absorber, delivering improved road handling, outstanding chassis control and excellent driving comfort. Only available on 2.0 TDI (140 and 170PS), 2.0 TDI quattro, 1.8 TFSI, 2.0 TFSI and 2.0 TFSI quattro	—	—	●	●	●	●	●	£765.96	£900.00

Options are subject to availability and may extend delivery.

— = Not available  
● = Available  
S = Standard

\*Not available on A3 3-door 1.6 TDI manual Standard

RRP – Recommended Retail Price.

VAT is calculated at 17.5% but this may alter to reflect any change in the applicable VAT rate.



# Packages

Some items work well together, which is why we've created these special packages. They provide increased convenience and value by combining several of our most popular options.

Order Code		Standard	SE	Sport	S line	Black Edition	S3	S3 Black Edition	Basic RRP	Total RRP inc VAT
<b>WBI</b>	<b>Comfort package.</b> Acoustic parking system (rear only), cruise control and light and rain sensor package. Only in combination with Driver's Information System	●	●	●	●	●	●	●	£425.53	£500.00
<b>RSX</b>	<b>Sound package.</b> BOSE® premium sound system, Symphony radio and iPod connection. Not available on A3 3-door 1.6 TDI manual Standard. Not available in combination with technology package or Satellite Navigation system – DVD-based	●	●	–	–	–	–	–	£612.77	£720.00
		–	–	●	●	–	●	–	£425.53	£500.00
<b>YBA</b>	<b>Technik upgrade package*</b> – 17" '5-spoke' design alloy wheels, Driver's Information System (DIS), Concert radio with AUX-IN socket and BOSE® premium sound system	●	●	–	–	–	–	–	£340.43	£400.00
<b>WB4</b>	<b>Technology package</b> – Satellite Navigation system – DVD-based, Bluetooth interface and Audi Music Interface. CD changer can be selected in lieu of AMI. Only in combination with multi-function steering wheel. Not available in combination with sound package	–	–	●	●	●	●	●	£1,272.34	£1,495.00

Options are subject to availability and may extend delivery.

- = Not available
- = Available
- S = Standard

RRP – Recommended Retail Price.

VAT is calculated at 17.5% but this may alter to reflect any change in the applicable VAT rate.



Satellite Navigation system – DVD-based



BOSE® premium sound system



# Audio and communication

Stay in touch using our range of communication functions, and give each journey its own soundtrack with our advanced audio equipment.

Order Code		Standard	SE	Sport	S line	Black Edition	S3	S3 Black Edition	Basic RRP	Total RRP inc VAT
<b>UF7</b>	<b>Audi Music Interface (AMI).</b> Universal connection for use with stereo audio sources, USB and MP3 devices including Apple iPod generation 4 onwards (iPod, iPod classic, iPod mini, iPod nano, iPod photo, iPod video, iPod touch). Provides intuitive control through the audio system, multi-function steering wheel and Driver's Information System, where fitted. It also replicates the iPod display on the audio screen and DIS, including track titles. The interface provides charging function (dependent on device). Only in combination with Satellite Navigation system – DVD-based	●	●	●	●	●	●	●	£212.77	£250.00
<b>7A2</b>	<b>CD changer.</b> For six CDs with MP3 compatibility. Located in glovebox and controllable via radio or multi-function steering wheel (if fitted). Cannot be combined with Symphony radio, iPod or USB connection	●	●	●	●	●	●	●	£272.34	£320.00
<b>RCM</b>	<b>Concert radio.</b> AM/FM twin tuner with TP memo function. Single front-loading CD player with MP3 compatibility. Active front and rear speakers. Includes AUX-IN socket	●	●	S	S	S	S	S	£187.23	£220.00
<b>UF1</b>	<b>iPod connection.</b> For playing/charging your iPod. Located in glovebox and controllable via radio or multi-function steering wheel (if fitted). Cannot be combined with CD changer, USB connection or AMI. Not available in combination with Satellite Navigation system – DVD-based	●	●	●	●	●	●	●	£153.19	£180.00
<b>PNX</b>	<b>Satellite Navigation system – CD-ROM based.</b> Route-planning and guidance using voice and pictogram instructions. Includes AM/FM radio with TP memo function. Single front-loading CD player with MP3 compatibility. Includes AUX-IN socket, MMI operating logic and UK CD-ROM disc. Please note that this option does not include UK TMC functionality. Limited use of navigation system is possible when playing audio CDs so a CD changer, USB or iPod connection is recommended with this option. Only in combination with electronic climate control and Driver's Information System	●	●	-	-	-	-	-	£740.43	£870.00
		-	-	●	●	●	●	●	●	£553.19
<b>PND</b>	<b>Satellite Navigation system – DVD-based.</b> Route planning and guidance using voice, pictogram and map. Includes AM/FM tuner with TP memo function. Single front-loading CD player with MP3 compatibility. Includes AUX-IN socket, MMI operating logic and 6.5-inch colour monitor with bird's-eye map display. Two integrated MMC/SD card slots for playing MP3 files, European coverage navigation DVD and dynamic route guidance via TMC. Limited use of navigation system is possible when playing audio CDs so a CD changer or Audi Music Interface is recommended with this option. Includes Driver's Information System. Only in combination with electronic climate control	●	●	-	-	-	-	-	£1,591.49	£1,870.00
		-	-	●	●	●	●	●	●	£1,404.26
<b>RSM</b>	<b>Symphony radio.</b> AM/FM twin tuner with TP memo function. Front-loading 6-CD changer with MP3 compatibility and active front and rear speakers. Includes AUX-IN socket	●	●	-	-	-	-	-	£412.77	£485.00
		-	-	●	●	●	●	●	●	£225.53

Options are subject to availability and may extend delivery.

- = Not available
- = Available
- S = Standard

RRP – Recommended Retail Price.

VAT is calculated at 17.5% but this may alter to reflect any change in the applicable VAT rate.

# Audio and communication

Order Code		Standard	SE	Sport	S line	Black Edition	S3	S3 Black Edition	Basic RRP	Total RRP inc VAT
<b>8RY</b>	<b>BOSE® premium sound system.</b> 8 high-performance loudspeakers, 6-channel amplifier, total output of 195 Watts with specially tuned acoustics. Only in combination with Concert or Symphony radio. Not available on A3 3-door 1.6 TDI manual Standard	●	●	●	●	S	●	S	£374.47	£440.00
<b>9ZX</b>	<b>Mobile telephone preparation – Bluetooth interface.</b> Provides handsfree connection via Bluetooth using mobile phone aerial. Please contact your Audi Centre for phone compatibility. Only in combination with multi-function steering wheel	●	●	●	●	●	●	●	£208.51	£245.00
<b>9ZF</b>	<b>Mobile telephone preparation – Low with Bluetooth and voice control.</b> Provides handsfree connection via Bluetooth using mobile phone aerial. Alternatively, it can use a cradle with charging facility for optimal reception via external aerial. Cradle available at extra cost – please contact your Audi Centre for phone compatibility. Only in combination with a multi-function steering wheel and Driver's Information System. Located on dashboard	●	-	-	-	-	-	-	£327.66	£385.00
<b>9ZU</b>	<b>Mobile telephone preparation – Low with Bluetooth and voice control.</b> Provides handsfree connection via Bluetooth using mobile phone aerial. Alternatively, it can use a cradle with charging facility for optimal reception via external aerial. Cradle available at extra cost – please contact your Audi Centre for phone compatibility. Located in front centre armrest. Only in combination with a multi-function steering wheel, front centre armrest and Driver's Information System	●	●	●	●	●	●	●	£327.66	£385.00
<b>UF2</b>	<b>USB connection.</b> For playing your USB stick. Located in glovebox and controlled via radio or multi-function steering wheel (if fitted). Cannot be combined with CD changer, iPod connection or AMI. Not available in combination with Satellite Navigation – DVD-based	●	●	●	●	●	●	●	£153.19	£180.00

Options are subject to availability and may extend delivery.

- = Not available
- = Available
- S = Standard

RRP – Recommended Retail Price.

VAT is calculated at 17.5% but this may alter to reflect any change in the applicable VAT rate.



Symphony radio (RSM)



Mobile telephone preparation



AUX-IN socket in front centre compartment (standard on Concert and Symphony radio)



iPod connection

# Interior equipment

Specify every detail of your car's interior with this range of exclusive options.

Options are subject to availability and may extend delivery.

- = Not available  
• = Available  
S = Standard

RRP - Recommended Retail Price.

VAT is calculated at 17.5% but this may alter to reflect any change in the applicable VAT rate.

Order Code		Standard	SE	Sport	S line	Black Edition	S3	S3 Black Edition	Basic RRP	Total RRP inc VAT
<b>6NQ</b>	<b>Cloth headlining – black.</b> Only in combination with illuminated vanity mirrors or interior light package	•	•	•	S	S	-	-	£165.96	£195.00
<b>8T2</b>	<b>Cruise control.</b> For holding any speed above 25mph. Only in combination with Driver's Information System	•	•	•	•	•	•	•	£182.98	£215.00
<b>PI1</b>	<b>Driver's Information System (DIS) – monochrome.</b> AutoCheck system, radio frequency, two adjustable speed warning thresholds, outside temperature gauge and on-board computer	•	S	S	S	S	S	S	£170.21	£200.00
<b>9AK</b>	<b>Dual-zone electronic climate control.</b> Includes separate temperature controls and digital displays for driver and front passenger	•	•	S	S	S	S	S	£319.15	£375.00
<b>3FE</b>	<b>Electric slide-and-tilt sunroof.</b> Includes position pre-selection, tinted glass insert, variable sunshield and convenience closing. Only available on A3 3-door models. Not available on A3 3-door 1.6 TDI manual Standard	•	•	•	•	•	•	•	£489.36	£575.00
<b>6E3</b>	<b>Front centre armrest</b> with storage compartment	•	S	S	S	S	S	S	£85.11	£100.00
<b>QQ5</b>	<b>Illuminated vanity mirrors</b>	•	•	•	S	S	S	S	£46.81	£55.00
<b>QQ4</b>	<b>Interior light package.</b> Includes illuminated door openers, storage compartment, footwell lighting, active door reflectors and illuminated vanity mirrors	•	•	•	-	-	-	-	£123.40	£145.00
		-	-	-	•	•	•	•	£76.60	£90.00
<b>PU7 6XJ</b>	<b>Light and rain sensor package.</b> Includes auto-dimming rear-view mirror and door mirrors, automatic headlight activation, automatic windscreen wipers, coming home/leaving home function and sun band for windscreen	•	•	•	•	•	•	•	£276.60	£325.00



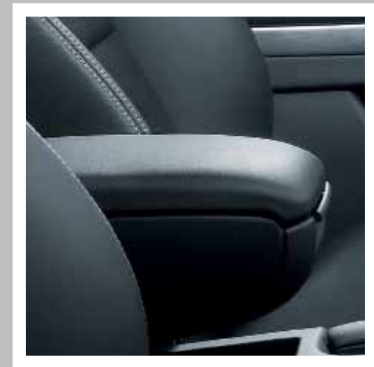
Cruise control



Dual-zone electronic climate control



Driver's Information System (DIS)



Front centre armrest

# Interior equipment

Order Code		Standard	SE	Sport	S line	Black Edition	S3	S3 Black Edition	Basic RRP	Total RRP inc VAT
PKB	<b>Luggage package.</b> Comprising combi-net for fixing into luggage compartment and 12V socket in boot	●	●	●	●	●	●	●	£46.81	£55.00
9JA	<b>Non-smoking package.</b> Replaces ashtray and cigarette lighter with 12V socket and centre storage compartment	●	●	●	●	●	●	●	No charge	No charge
3FB	<b>Open sky panoramic sunroof.</b> Comprising glass roof with electric slide-and-tilt control and sunshade at front and rear. Only available on A3 Sportback models. Not available on 1.6 TDI manual Sportback. Only in combination with interior light package	●	●	●	●	●	●	●	£893.62	£1,050.00
3Y3	<b>Rear window and side window blinds – manual,</b> built into parcel shelf. Only available on Sportback models	●	●	-	-	-	-	-	£144.68	£170.00
		-	-	●	●	●	●	●	£72.34	£85.00
3Y6	<b>Rear window blind – manual,</b> built into rear parcel shelf	●	●	S	S	S	S	S	£72.34	£85.00
3GD	<b>Reversible load floor.</b> Boot floor can be removed and reversed to form a useful tray area with an easy-to-clean surface. Not available on quattro models. Not available on A3 3-door 1.6 TDI manual Standard	●	●	●	●	●	-	-	£72.34	£85.00
65J	<b>Reversible load floor mat.</b> Luggage compartment floor mat can be reversed to provide a rubber mat which extends to protect rear bumper. Not available on A3 3-door 1.6 TDI manual Standard	●	●	●	●	●	●	●	£42.55	£50.00
QE1	<b>Storage package.</b> Comprising storage nets on front-seat backrests, storage compartment under driver's seat, map compartment in glovebox, net on side of centre console and bag hooks in luggage compartment. Under-seat storage not available in conjunction with electric seats	●	●	●	●	●	●	●	£76.60	£90.00
PZA	<b>Through-load facility.</b> Includes removable ski bag for transporting long objects and rear centre armrest with cup holder	●	●	●	●	●	●	●	£148.94	£175.00

Options are subject to availability and may extend delivery.

- = Not available

● = Available

S = Standard

RRP – Recommended Retail Price.

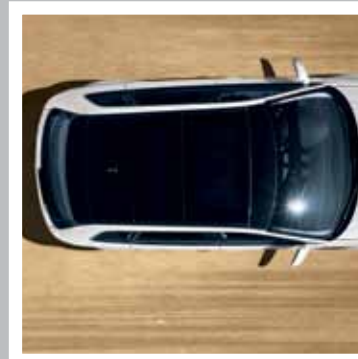
VAT is calculated at 17.5% but this may alter to reflect any change in the applicable VAT rate.



Reversible load floor mat



Through-load facility



Open sky panoramic sunroof



Storage pack

# Seats

Choose from a variety of different seat options so you can maintain the right driving posture at all times.

Options are subject to availability and may extend delivery.

- = Not available  
 ● = Available  
 S = Standard

RRP – Recommended Retail Price.

VAT is calculated at 17.5% but this may alter to reflect any change in the applicable VAT rate.

Order Code		Standard	SE	Sport	S line	Black Edition	S3	S3 Black Edition	Basic RRP	Total RRP inc VAT
<b>PS5</b>	<b>Front bucket seats in black Fine Nappa leather upholstery with manual adjustment.</b> Includes through-load facility without ski-bag. Not available in combination with electric lumbar support or storage package. Please note that this option deletes front side airbags and front seat ISOFIX preparation for front passenger seat	-	-	-	-	-	●	●	£1,446.81	£1,700.00
<b>PS5 S3G</b>	<b>Front bucket seats in exclusive leather.</b> Includes through-load facility without ski-bag. Not available in combination with electric lumbar support or storage pack. Please note that this option deletes front side airbags and front seat ISOFIX preparation	-	-	-	-	-	●	-	£3,131.91	£3,680.00
<b>3PE</b>	<b>Electric driver's seat.</b> Includes adjustment for height, forwards and backwards position and backrest angle. Only in combination with through-load system, electronic climate control and electric lumbar support. Only available on Sportback models	●	●	●	●	●	●	●	£263.83	£310.00
<b>3L5</b>	<b>Electric front seats.</b> Includes adjustment for height, forwards and backwards position and backrest angle. Only in combination with through-load system, electronic climate control and electric lumbar support. Only available on Sportback models	●	●	●	●	●	●	●	£459.57	£540.00
<b>7P1</b>	<b>Electric lumbar support.</b> For front seats with horizontal and vertical adjustment	●	●	●	●	●	●	●	£161.70	£190.00
<b>4A3</b>	<b>Heated front seats.</b> Individually controlled variable temperature adjustment	●	●	●	●	●	S	S	£212.77	£250.00
<b>4A4</b>	<b>Heated front and rear seats.</b> Individually controlled variable temperature adjustment	●	●	●	●	●	-	-	£374.47	£440.00
		-	-	-	-	-	●	●	£161.70	£190.00



# Exterior equipment

Make sure your car looks exactly as you want it to by selecting some of our striking options.

Order Code		Standard	SE	Sport	S line	Black Edition	S3	S3 Black Edition	Basic RRP	Total RRP inc VAT
<b>PX4</b>	<b>Adaptive headlights.</b> Swivelling headlights for improved illumination of a winding road. Includes Xenon Plus headlights with LED daytime-running lights and headlight washers	●	●	●	—	—	—	—	£851.06	£1,000.00
<b>8Q5</b>		—	—	—	●	—	—	—	£710.64	£835.00
		—	—	—	—	●	●	●	£246.81	£290.00
<b>3S1</b>	<b>Aluminium roof rails.</b> Not available with black styling package. Only available on Sportback models	●	●	●	●	—	●	—	£191.49	£225.00
<b>3S2</b>	<b>Black roof rails.</b> Only available on Sportback models	●	●	●	●	●	●	●	£191.49	£225.00
<b>4ZM</b>	<b>Black styling package.</b> Radiator grille-frame in highly polished black, with radiator-grille and number plate holder in matt black	●	●	●	●	S	●	S	£255.32	£300.00
<b>2Z0</b>	<b>Deletion of model and engine capacity designation at rear</b>	●	●	●	●	●	●	●	No charge	No charge
<b>6XE</b>	<b>Door mirrors</b> – electrically adjustable, folding and heated	●	●	●	●	●	●	●	£102.13	£120.00
<b>8N7</b>	<b>High-beam assist.</b> Automatically adjusts headlights from high-beam to dipped-beam when another vehicle is approaching. Only in combination with Driver's Information System and light and rain sensor package	●	●	●	●	●	●	●	£85.11	£100.00
<b>VW1</b>	<b>Privacy glass.</b> Dark tinted glass from B-pillar backwards	●	●	●	●	S	●	S	£276.60	£325.00
<b>1D2</b>	<b>Towing equipment – removable.</b> Factory-fitted and removable. Usually requires a 13- to 7-pin adapter – please consult your Audi Centre for details. Not available on A3 3-door 1.6 TDI manual Standard, A3 Sportback 1.6 TDI manual or 1.6 and 2.0 TDI 140PS S line models	●	●	●	●	●	—	—	£472.34	£555.00
<b>PX4</b>	<b>Xenon Plus headlights.</b> Includes LED daytime-running lights, automatic headlight adjustment, dynamic range control and headlight washers	—	—	—	●	S	S	S	£463.83	£545.00

# Warranty

Options are subject to availability and may extend delivery.

— = Not available  
● = Available  
S = Standard

\*Only available when ordering your new A3. Please speak to your Audi Centre for full details.

RRP – Recommended Retail Price.

VAT is calculated at 17.5% but this may alter to reflect any change in the applicable VAT rate.

—	<b>Audi Warranty,</b> covering you for unlimited mileage in the first two years of ownership, and up to 60,000 miles in the third year. Transferable between owners*	S	S	S	S	S	S	S	No charge	No charge
<b>EA6</b>	<b>Audi Warranty,</b> covering you for up to 4 years or 75,000 miles, whichever comes soonest. Cover includes a two year unlimited mileage warranty, and up to 75,000 miles in the third and fourth years. Transferable between owners*	●	●	●	●	●	●	●	£204.26	£240.00
<b>EA9</b>	<b>Audi Warranty,</b> covering you for up to 5 years or 90,000 miles, whichever comes soonest. Cover includes a two year unlimited mileage warranty, and up to 90,000 miles in the third, fourth and fifth years. Transferable between owners*	●	●	●	●	●	●	●	£455.32	£535.00



# Safety and security

Intelligent technology designed to give you better all-round awareness and safety on the road.

Options are subject to availability and may extend delivery.

- = Not available  
• = Available  
S = Standard

RRP – Recommended Retail Price.

VAT is calculated at 17.5% but this may alter to reflect any change in the applicable VAT rate.

Order Code	Standard	SE	Sport	S line	Black Edition	S3	S3 Black Edition	Basic RRP	Total RRP inc VAT
<b>7X1</b> <b>Acoustic parking system (rear only).</b> Aids parking by acoustically indicating distances to obstacles	•	•	•	•	•	•	•	£255.32	£300.00
<b>7X2</b> <b>Acoustic parking system (front and rear).</b> Aids parking by acoustically indicating distances to obstacles. Also includes visual display in combination with Satellite Navigation system – DVD-based (where fitted)	•	•	•	•	•	•	•	£446.81	£525.00
<b>7X5</b> <b>Parallel park assist.</b> Sensor-controlled steering aid to assist parallel parking with parking sensors (front and rear) acoustically indicating distances to obstacles. Includes Audi hill-hold assist. Only in combination with Driver's Information System	•	•	•	•	•	•	•	£617.02	£725.00
<b>1T3</b> <b>First-aid kit.</b> In storage compartment under front passenger seat	•	•	•	•	•	•	•	£21.28	£25.00
<b>8WB</b> <b>Front fog lights</b>	•	S	S	S	S	S	S	£114.89	£135.00
<b>4X4</b> <b>Rear side airbags.</b> Situated in side of rear seats. Only in combination with through-load facility. Only available on Sportback models	•	•	•	•	•	•	•	£255.32	£300.00
<b>7K6</b> <b>Tyre pressure loss indicator.</b> A visual and acoustic warning when the system detects a potential loss of tyre pressure. Only in combination with Driver's Information System	•	•	•	•	•	•	•	£63.83	£75.00



# Steering wheels

You can choose from a selection of advanced leather multi-function steering wheels, allowing you to control your audio system at the touch of a button.

Order Code		Standard	SE	Sport	S line	Black Edition	S3	S3 Black Edition	Basic RRP	Total RRP inc VAT
2ZQ	<b>4-spoke multi-function steering wheel.</b> Includes Driver's Information System	●	S	-	-	-	-	-	£302.13	£355.00
2ZS	<b>4-spoke multi-function steering wheel with gear-shift paddles.</b> S tronic models only – includes Driver's Information System	●	S	-	-	-	-	-	£234.04	£275.00
YRB/S3G	<b>Audi exclusive control elements.</b> Includes leather covered steering wheel, handbrake grip and gear-shift gaiter*	-	●	●	●	-	●	-	£510.64	£600.00
YRH/S3G	<b>Audi exclusive leather steering wheel rim*</b>	-	●	●	●	-	●	-	£302.13	£355.00

Options are subject to availability and may extend delivery.

- = Not available

● = Available

S = Standard

\*In any of the 11 exclusive colours shown on page 36.

RRP – Recommended Retail Price.

VAT is calculated at 17.5% but this may alter to reflect any change in the applicable VAT rate.



# Merchandise

From the enthusiasts' motorsport collection to the sophisticated Audi collection, there's a wide variety of adults' and children's clothing, lifestyle accessories and collectables, all of which bear the Audi name.

Please speak to a member of our team at your local Audi Centre to see the full Audi collection and to place an order. A selection of Audi merchandise is also available to buy from [audi.co.uk/merchandise](http://audi.co.uk/merchandise).



Audi kids



Bags and leather goods



Clothing



Motorsports



Sport and travel



Model cars

# Accessories

Choosing an Audi isn't just a matter of deciding on the model you want; it's about creating a car that suits your needs perfectly. And that's why we've developed a whole range of accessories to enhance your A3, enabling you to customise it down to the last detail. Like your Audi, all these accessories are developed to the highest possible standards. And they're all available exclusively from Audi. To find out more, just visit [audi.co.uk/accessories](http://audi.co.uk/accessories) or contact your local Audi Centre.

## Warranty

All of the accessories available on the A3 are covered by a three-year warranty\* if they are ordered and included in the purchase price of the car at date of delivery. Any accessories ordered and installed after delivery include a two-year warranty.\*



Sport and design



Transport and touring



Entertainment and communication



Comfort and protection



Family



Safety and security

\*Excluding Road Angel products.

Audi Accessories warranty terms and conditions can be found at [audi.co.uk](http://audi.co.uk)

# A3 Petrol technical data

Engine	1.6	1.6	1.4 TFSI	1.4 TFSI	1.8 TFSI	1.8 TFSI	2.0 TFSI	2.0 TFSI	2.0 TFSI quattro*	S3 quattro*	S3 quattro*
Transmission	5-speed manual	7-speed S tronic	6-speed manual	7-speed S tronic	6-speed manual	7-speed S tronic	6-speed manual	6-speed S tronic	6-speed S tronic	6-speed manual	6-speed S tronic
Cylinder	4-cylinder	4-cylinder	4-cylinder	4-cylinder	4-cylinder	4-cylinder	4-cylinder	4-cylinder	4-cylinder	4-cylinder	4-cylinder
Displacement, cubic cm (valves per cylinder)	1595 (2)	1595 (2)	1390 (4)	1390 (4)	1798 (4)	1798 (4)	1984 (4)	1984 (4)	1984 (4)	1984 (4)	1984 (4)
Max. power <sup>1</sup> , PS at rpm	102/5600	102/5600	125/5000	125/5000	160/5000 -6200	160/5000 -6200	200/5100 -6000	200/5100 -6000	200/5100 -6000	265/6000	265/6000
Max. torque, Nm at rpm	148/3800	148/3800	200/1500 -4000	200/1500 -4000	250/1500 -4200	250/1500 -4200	280/1700 -5000	280/1700 -5000	280/1700 -5000	350/2500 -5000	350/2500 -5000
0-62mph acceleration, seconds	11.8	11.7	9.4	9.3	7.6	7.5	7.0	6.8	6.6	5.7	5.5
Top speed <sup>2</sup> , mph	115	115	126	126	138	138	148	148	147	155**	155**
CO <sub>2</sub> emissions <sup>3</sup> , g/km	162	159	132	124	152	149	164	166	174	198	193
Benefit in kind (BIK)%	20%	19%	15%	15%	18%	17%	20%	21%	22%	27%	27%
Fuel consumption, mpg (l/100km) Urban	29.7 (9.5)	30.1 (9.4)	38.7 (7.3)	44.1 (6.4)	32.5 (8.7)	33.2 (8.5)	28.8 (9.8)	28.8 (9.8)	28.5 (9.9)	23.9 (11.8)	25.4 (11.1)
Fuel consumption, mpg (l/100km) Extra Urban	53.3 (5.3)	55.4 (5.1)	58.9 (4.8)	60.1 (4.7)	53.3 (5.3)	54.3 (5.2)	51.4 (5.5)	49.6 (5.7)	46.3 (6.1)	42.8 (6.6)	42.2 (6.7)
Fuel consumption, mpg (l/100km) Combined	41.5 (6.8)	42.2 (6.7)	49.6 (5.7)	53.3 (5.3)	42.8 (6.6)	43.5 (6.5)	39.8 (7.1)	39.2 (7.2)	37.7 (7.5)	33.2 (8.5)	34.0 (8.3)
ABI insurance group 1-20/1-50 <sup>4</sup>	7/15 E	7/15 E	11/20 E	11/20 E	13/26 E	13/26 E	15/30 E	15/30 E	15/30 E	18/36 E	18/36 E
Unladen weight <sup>4</sup> , kg	1185	1220	1255	1270	1280	1295	1295	1330	1415	1455	1475
Gross weight limit, kg	1745	1780	1815	1830	1840	1855	1855	1890	1975	2015	2035
Roof load limit/nose weight, kg	75	75	75	75	75	75	75	75	75	75	75
Max trailer load unbraked <sup>5</sup> , kg	630	640	660	670	670	680	680	700	740	-	-
Max trailer load with 12% gradient, kg	1200	1200	1200	1200	1400	1400	1500	1500	1500	-	-
Max trailer load with 8% gradient <sup>5</sup> , kg	1500	1500	1500	1500	1700	1700	1800	1800	1800	-	-
Luggage compartment capacity, rear seats upright, litres	350	350	350	350	350	350	350	350	281	281	281
Luggage compartment capacity, rear seats folded, litres	1080	1080	1080	1080	1080	1080	1080	1080	1011	1011	1011
Fuel tank capacity approx, litres	55	55	55	55	55	55	55	55	60	60	60

\*\*Electronically limited.

<sup>4</sup>Highest insurance group rating shown. Group may be lower dependent on trim level. Please visit [www.thatcham.org/abigrouprating](http://www.thatcham.org/abigrouprating) for details.

**Please note:** The maximum power output figures are quoted in PS (or Pferdestärke, which is the metric equivalent of brake horsepower). To convert to brake horsepower, divide the PS figure by 1.0139.

<sup>1</sup>The given value was obtained in accordance with the specified measurement procedure (the respective current version of the Directive 80/1269/EEC).

<sup>2</sup>Top speed is achieved in top gear.

<sup>3</sup>The given values were calculated in accordance with the specified measurement procedure (the respective current version of Directive 80/1268/EEC). This information does not relate to a single vehicle and does not comprise part of the offer but is merely intended for the purpose of comparison between the different vehicle types.

<sup>4</sup>Vehicle's unladen weight without driver (calculated in accordance with the current version of Directive 80/1268/EEC). The fitting of additional equipment may increase the vehicle's unladen weight and drag coefficient, whereupon the potential carrying capacity and top speed will be correspondingly reduced.

<sup>5</sup>The engine's power output always goes down with increasing altitude. At 1,000m above sea level, and for every additional 1,000m, deduct 10% from the weight of the outfit (trailer load limit + gross weight of the towing vehicle).

# A3 Diesel technical data

Engine	1.6 TDI Standard	1.6 TDI*	1.6 TDI	2.0 TDI	2.0 TDI	2.0 TDI	2.0 TDI	2.0 TDI quattro*
Transmission	5-speed manual	5-speed manual	7-speed S tronic	6-speed manual	6-speed S tronic	6-speed manual	6-speed S tronic	6-speed manual
Cylinder	4-cylinder	4-cylinder	4-cylinder	4-cylinder	4-cylinder	4-cylinder	4-cylinder	4-cylinder
Displacement, cubic cm (valves per cylinder)	1598 (4)	1598 (4)	1598 (4)	1968 (4)	1968 (4)	1968 (4)	1968 (4)	1968 (4)
Max. power <sup>1</sup> , PS at rpm	105/4400	105/4400	105/4400	140/4200	140/4200	170/4200	170/4200	170/4200
Max. torque, Nm at rpm	250/1500-2500	250/1500-2500	250/1500-2500	320/1750-2500	320/1750-2500	320/1750-2500	320/1750-2500	320/1750-2500
0-62mph acceleration, seconds	11.4	11.4	11.7	8.9	8.7	8.0	7.6	7.8
Top speed <sup>2</sup> , mph	121	121	121	130	130	139	139	138
CO <sub>2</sub> emissions <sup>3</sup> , g/km	99	109	109	115	129	139	147	148
Benefit in kind (BIK)%	13%	13%	13%	13%	18%	18%	20%	20%
Fuel consumption, mpg (l/100km) Urban	60.1 (4.7)	56.5 (5.0)	62.8 (4.5)	51.4 (5.5)	48.7 (5.8)	40.9 (6.9)	39.2 (7.2)	39.2 (7.2)
Fuel consumption, mpg (l/100km) Extra Urban	85.6 (3.3)	76.3 (3.7)	72.4 (3.9)	74.3 (3.8)	64.2 (4.4)	67.3 (4.2)	61.4 (4.6)	60.1 (4.7)
Fuel consumption, mpg (l/100km) Combined	74.3 (3.8)	68.9 (4.1)	67.3 (4.2)	64.2 (4.4)	57.6 (4.9)	54.3 (5.2)	50.4 (5.6)	50.4 (5.6)
ABI insurance group 1-20/1-50 <sup>4</sup>	TBC	8/15 E	8/15 E	11/19 E	11/19 E	14/26 E	14/26 E	14/26 E
Unladen weight <sup>4</sup> , kg	1275	1280	1300	1320	1345	1335	1375	1425
Roof load limit/nose weight, kg	75	75	75	75	75	75	75	75
Gross weight limit, kg	1835	1840	1860	1880	1905	1895	1935	1985
Max trailer load unbraked, kg	-	670	680	690	710	690	710	750
Max trailer load with 12% gradient <sup>5</sup> , kg	-	1400	1400	1400	1400	1400	1400	1600
Max trailer load with 8% gradient <sup>5</sup> , kg	-	1700	1700	1700	1700	1700	1700	1800
Luggage compartment capacity, rear seats upright, litres	350	350	350	350	350	350	350	281
Luggage compartment capacity, rear seats folded, litres	1080	1080	1080	1080	1080	1080	1080	1011
Fuel tank capacity approx, litres	55	55	55	55	55	55	55	60

\*Not available on Standard

\*\*Electronically limited.

<sup>4</sup>Highest insurance group rating shown. Group may be lower dependent on trim level. Please visit [www.thatcham.org/abigrouprating](http://www.thatcham.org/abigrouprating) for details.

**Please note:** The maximum power output figures are quoted in PS (or Pferdestärke, which is the metric equivalent of brake horsepower). To convert to brake horsepower, divide the PS figure by 1.0139.

<sup>1</sup>The given value was obtained in accordance with the specified measurement procedure (the respective current version of the Directive 80/1269/EEC).

<sup>2</sup>Top speed is achieved in top gear.

<sup>3</sup>The given values were calculated in accordance with the specified measurement procedure (the respective current version of Directive 80/1268/EEC). This information does not relate to a single vehicle and does not comprise part of the offer but is merely intended for the purpose of comparison between the different vehicle types.

<sup>4</sup>Vehicle's unladen weight without driver (calculated in accordance with the current version of Directive 80/1268/EEC). The fitting of additional equipment may increase the vehicle's unladen weight and drag coefficient, whereupon the potential carrying capacity and top speed will be correspondingly reduced.

<sup>5</sup>The engine's power output always goes down with increasing altitude. At 1,000m above sea level, and for every additional 1,000m, deduct 10% from the weight of the outfit (trailer load limit + gross weight of the towing vehicle).

# A3 Sportback Petrol technical data

Engine	1.6	1.6	1.4 TFSI	1.4 TFSI	1.8 TFSI	1.8 TFSI	2.0 TFSI	2.0 TFSI	2.0 TFSI quattro*	S3 quattro*	S3 quattro*
Transmission	5-speed manual	7-speed S tronic	6-speed manual	7-speed S tronic	6-speed manual	7-speed S tronic	6-speed manual	6-speed S tronic	6-speed S tronic	6-speed manual	6-speed S tronic
Cylinder	4-cylinder	4-cylinder	4-cylinder	4-cylinder	4-cylinder	4-cylinder	4-cylinder	4-cylinder	4-cylinder	4-cylinder	4-cylinder
Displacement, cubic cm (valves per cylinder)	1595 (2)	1595 (2)	1390 (4)	1390 (4)	1798 (4)	1798 (4)	1984 (4)	1984 (4)	1984 (4)	1984 (4)	1984 (4)
Max. power <sup>1</sup> , PS at rpm	102/5600	102/5600	125/5000	125/5000	160/5000 -6200	160/5000 -6200	200/5100 -6000	200/5100 -6000	200/5100 -6000	265/6000	265/6000
Max. torque, Nm at rpm	148/3800	148/3800	200/1500 -4000	200/1500 -4000	250/1500 -4200	250/1500 -4200	280/1700 -5000	280/1700 -5000	280/1700 -5000	350/2500 -5000	350/2500 -5000
0-62mph acceleration, seconds	12.1	12.0	9.6	9.5	7.8	7.7	7.1	6.9	6.7	5.8	5.6
Top speed <sup>2</sup> , mph	115	115	126	126	138	138	148	148	147	155**	155**
CO <sub>2</sub> emissions <sup>3</sup> , g/km	164	159	134	127	153	149	167	166	176	199	195
Benefit in kind (BIK)%	20%	19%	15%	15%	18%	17%	21%	21%	23%	27%	27%
Fuel consumption, mpg (l/100km) Urban	29.7 (9.5)	30.1 (9.4)	38.7 (7.3)	42.8 (6.6)	32.5 (8.7)	33.2 (8.5)	28.5 (9.9)	28.8 (9.8)	28.2 (10.0)	23.9 (11.8)	25.2 (11.2)
Fuel consumption, mpg (l/100km) Extra Urban	52.3 (5.4)	55.4 (5.1)	57.6 (4.9)	58.9 (4.8)	53.3 (5.3)	54.3 (5.2)	50.4 (5.6)	49.6 (5.7)	45.6 (6.2)	42.2 (6.7)	41.5 (6.8)
Fuel consumption, mpg (l/100km) Combined	40.9 (6.9)	42.2 (6.7)	48.7 (5.8)	51.4 (5.5)	42.8 (6.6)	43.5 (6.5)	39.2 (7.2)	39.2 (7.2)	37.2 (7.6)	33.2 (8.5)	33.6 (8.4)
ABI insurance group 1-20/1-50 <sup>4</sup>	7/14 E	7/14 E	11/19 E	11/19 E	13/25 E	13/25 E	15/29 E	15/29 E	15/29 E	18/32 E	18/32 E
Unladen weight <sup>4</sup> , kg	1225	1260	1295	1310	1320	1335	1335	1370	1455	1495	1515
Roof load limit/nose weight, kg	75	75	75	75	75	75	75	75	75	75	75
Gross weight limit, kg	1785	1820	1855	1870	1880	1895	1895	1930	2015	2055	2075
Max trailer load unbraked, kg	650	660	680	690	690	700	700	720	750	-	-
Max trailer load with 12% gradient <sup>5</sup> , kg	1200	1200	1200	1200	1400	1400	1500	1500	1500	-	-
Max trailer load with 8% gradient <sup>5</sup> , kg	1500	1500	1500	1500	1700	1700	1800	1800	1800	-	-
Luggage compartment capacity, rear seats upright, litres	370	370	370	370	370	370	370	370	302	302	302
Luggage compartment capacity, rear seats folded, litres	1100	1100	1100	1100	1100	1100	1100	1100	1032	1032	1032
Fuel tank capacity approx, litres	55	55	55	55	55	55	55	55	60	60	60

\*S line models = 8E

\*\*Electronically limited.

<sup>4</sup>Highest insurance group rating shown. Group may be lower dependent on trim level. Please visit [www.thatcham.org/abigrouprating](http://www.thatcham.org/abigrouprating) for details.

**Please note:** The maximum power output figures are quoted in PS (or Pferdestärke, which is the metric equivalent of brake horsepower). To convert to brake horsepower, divide the PS figure by 1.0139.

<sup>1</sup>The given value was obtained in accordance with the specified measurement procedure (the respective current version of the Directive 80/1269/EEC).

<sup>2</sup>Top speed is achieved in top gear.

<sup>3</sup>The given values were calculated in accordance with the specified measurement procedure (the respective current version of Directive 80/1268/EEC). This information does not relate to a single vehicle and does not comprise part of the offer but is merely intended for the purpose of comparison between the different vehicle types.

<sup>4</sup>Vehicle's unladen weight without driver (calculated in accordance with the current version of Directive 80/1268/EEC). The fitting of additional equipment may increase the vehicle's unladen weight and drag coefficient, whereupon the potential carrying capacity and top speed will be correspondingly reduced.

<sup>5</sup>The engine's power output always goes down with increasing altitude. At 1,000m above sea level, and for every additional 1,000m, deduct 10% from the weight of the outfit (trailer load limit + gross weight of the towing vehicle).

# A3 Sportback Diesel technical data

Engine	1.6 TDI	1.6 TDI	2.0 TDI	2.0 TDI	2.0 TDI	2.0 TDI	2.0 TDI quattro*
Transmission	5-speed manual	7-speed S tronic	6-speed manual	6-speed S tronic	6-speed manual	6-speed S tronic	6-speed manual
Cylinder	4-cylinder	4-cylinder	4-cylinder	4-cylinder	4-cylinder	4-cylinder	4-cylinder
Displacement, cubic cm (valves per cylinder)	1598 (4)	1598 (4)	1968 (4)	1968 (4)	1968 (4)	1968 (4)	1968 (4)
Max. power <sup>1</sup> , PS at rpm	105/4400	105/4400	140/4200	140/4200	170/4200	170/4200	170/4200
Max. torque, Nm at rpm	250/1500-2500	250/1500-2500	320/1750-2500	320/1750-2500	350/1750-2500	350/1750-2500	350/1750-2500
0-62mph acceleration, seconds	11.7	11.8	9.1	8.9	8.1	7.7	7.9
Top speed <sup>2</sup> , mph	121	121	130	130	139	139	139
CO <sub>2</sub> emissions <sup>3</sup> , g/km	109	112	115	129	139	149	148
Benefit in kind (BIK)%	13%	13%	13%	18%	18%	20%	20%
Fuel consumption, mpg (l/100km) Urban	56.5 (5.0)	57.6 (4.9)	51.4 (5.5)	48.7 (5.8)	40.9 (6.9)	38.2 (7.4)	39.2 (7.2)
Fuel consumption, mpg (l/100km) Extra Urban	76.3 (3.7)	72.4 (3.9)	74.3 (3.8)	64.2 (4.4)	67.3 (4.2)	60.1 (4.7)	60.1 (4.7)
Fuel consumption, mpg (l/100km) Combined	68.9 (4.1)	65.7 (4.3)	64.2 (4.4)	57.6 (4.9)	54.3 (5.2)	49.6 (5.7)	50.4 (5.6)
ABI insurance group 1-20/1-50 <sup>4</sup>	8/15 E*	8/15 E*	11/19 E	11/19 E	14/26 E	14/26 E	14/26 E
Unladen weight <sup>4</sup> , kg	1320	1340	1360	1385	1375	1395	1465
Roof load limit/nose weight, kg	75	75	75	75	75	75	75
Gross weight limit, kg	1880	1900	1920	1945	1935	1955	2025
Max trailer load unbraked, kg	-	700	710	730	710	730	750
Max trailer load with 12% gradient <sup>5</sup> , kg	-	1400	1400	1400	1400	1400	1600
Max trailer load with 8% gradient <sup>5</sup> , kg	-	1700	1700	1700	1700	1700	1800
Luggage compartment capacity, rear seats upright, litres	370	370	370	370	370	370	302
Luggage compartment capacity, rear seats folded, litres	1100	1100	1100	1100	1100	1100	1032
Fuel tank capacity approx, litres	55	55	55	55	55	55	60

\*S line models=12E.

\*\*Electronically limited.

<sup>1</sup>Highest insurance group rating shown. Group may be lower dependent on trim level. Please visit [www.thatcham.org/abigrouprating](http://www.thatcham.org/abigrouprating) for details.

**Please note:** The maximum power output figures are quoted in PS (or Pferdestärke, which is the metric equivalent of brake horsepower). To convert to brake horsepower, divide the PS figure by 1.0139.

<sup>4</sup>The given value was obtained in accordance with the specified measurement procedure (the respective current version of the Directive 80/1269/EEC).

<sup>2</sup>Top speed is achieved in top gear.

<sup>3</sup>The given values were calculated in accordance with the specified measurement procedure (the respective current version of Directive 80/1268/EEC). This information does not relate to a single vehicle and does not comprise part of the offer but is merely intended for the purpose of comparison between the different vehicle types.

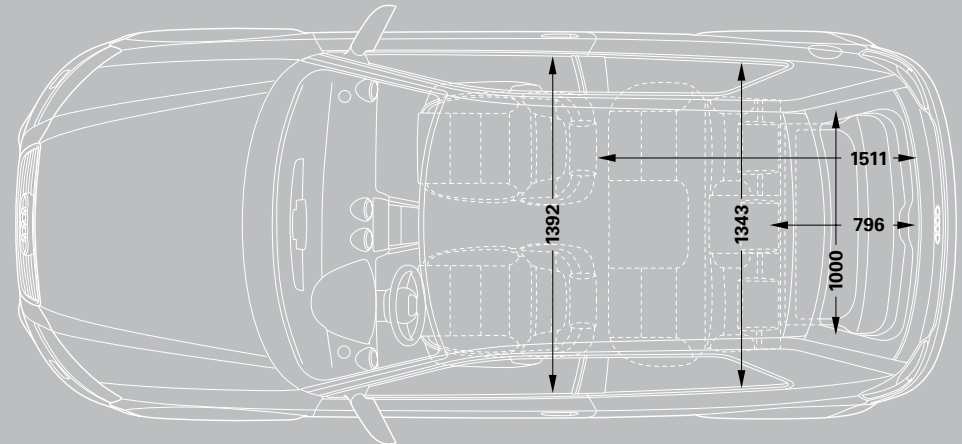
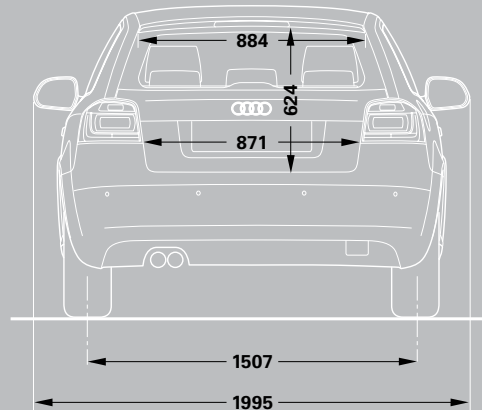
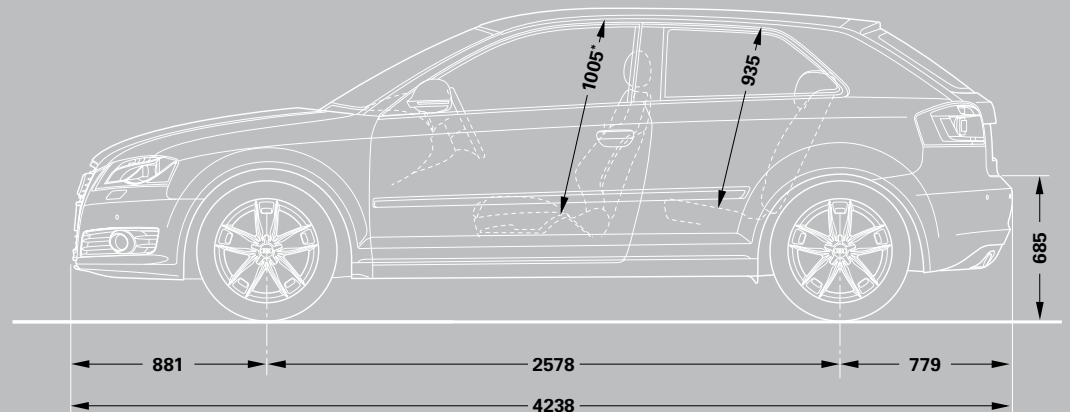
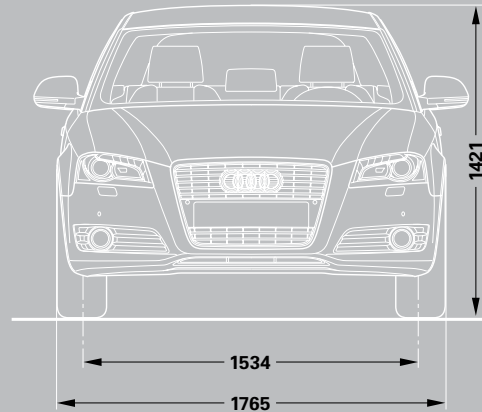
<sup>5</sup>Vehicle's unladen weight without driver (calculated in accordance with the current version of Directive 80/1268/EEC). The fitting of additional equipment may increase the vehicle's unladen weight and drag coefficient, whereupon the potential carrying capacity and top speed will be correspondingly reduced.

<sup>6</sup>The engine's power output always goes down with increasing altitude. At 1,000m above sea level, and for every additional 1,000m, deduct 10% from the weight of the outfit (trailer load limit + gross weight of the towing vehicle).



# A3 dimensions

The technical drawings opposite show the exact dimensions of the Audi A3, so you can check everything – from whether the car will fit in your garage to whether your luggage will fit in the boot.



Dimensions were measured with vehicle at unladen weight.

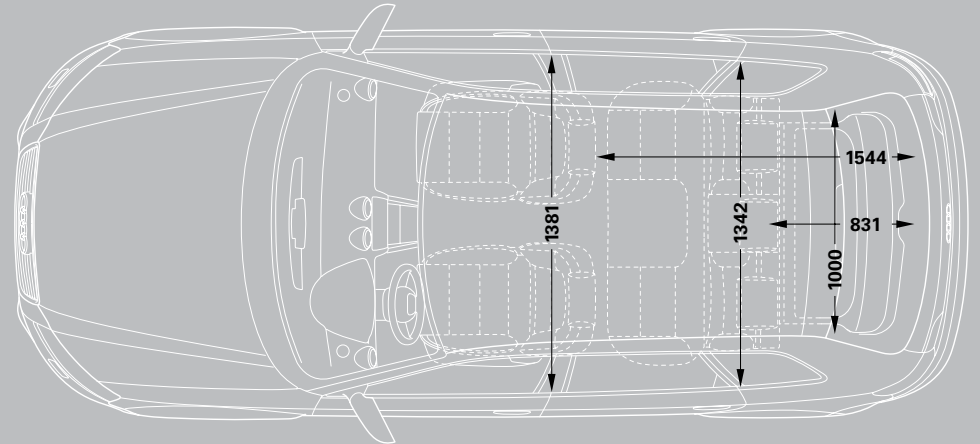
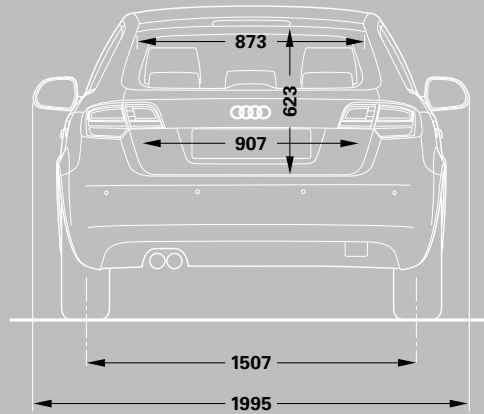
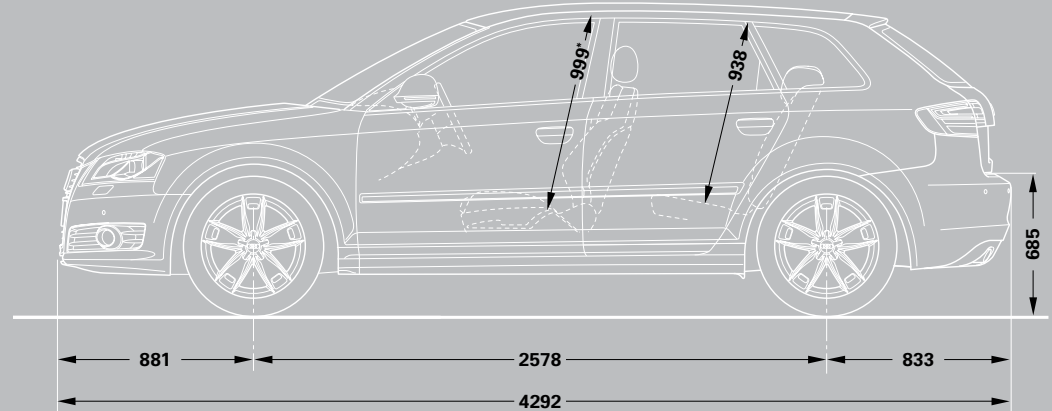
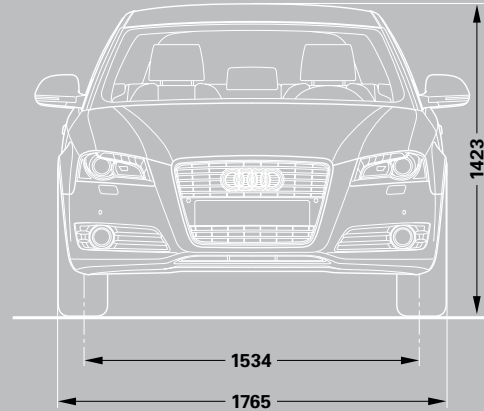
Turning circle approx 10.7m.

Dimensions in millimetres.

\*Maximum headroom.

# A3 Sportback dimensions

The technical drawings opposite show the exact dimensions of the Audi A3 Sportback, so you can check everything – from whether the car will fit in your garage to whether your luggage will fit in the boot.



Dimensions were measured with vehicle at unladen weight.

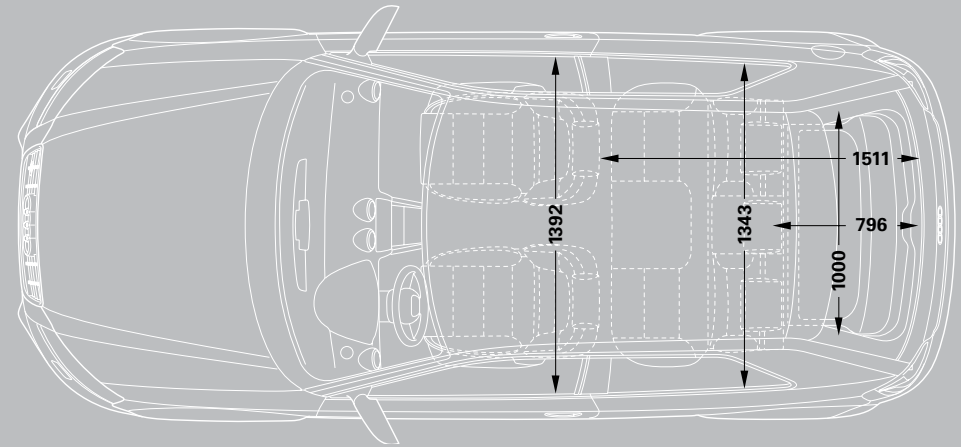
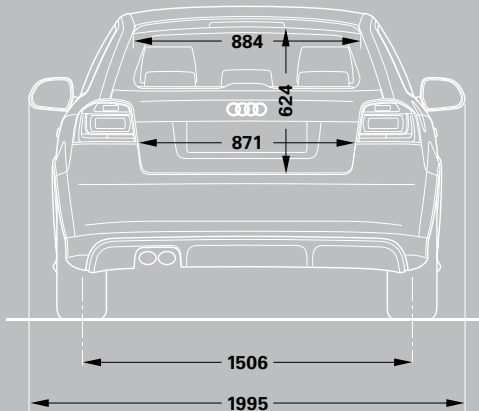
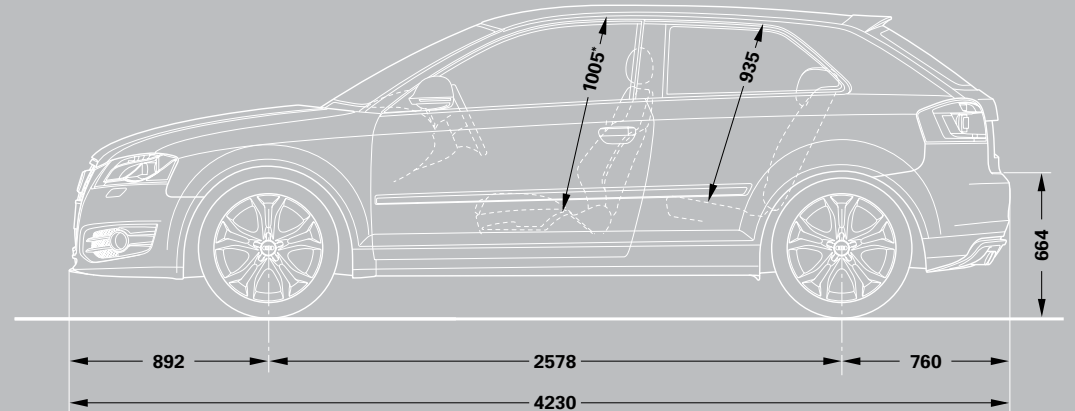
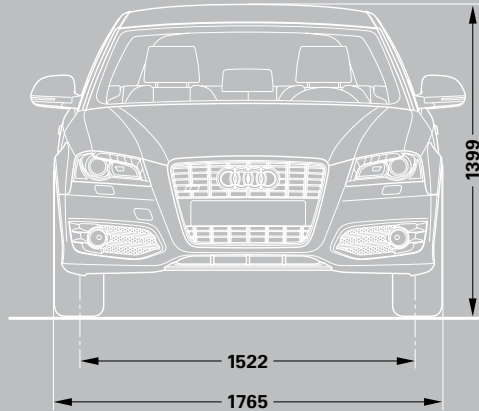
Turning circle approx 10.7m.

Dimensions in millimetres.

\*Maximum headroom.

# S3 dimensions

The technical drawings opposite show the exact dimensions of the Audi S3, so you can check everything – from whether the car will fit in your garage to whether your luggage will fit in the boot.



Dimensions were measured with vehicle at unladen weight.

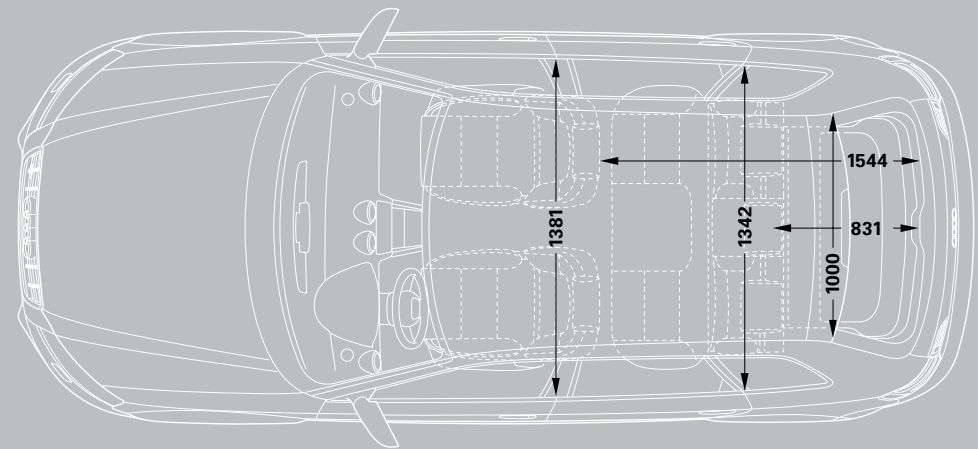
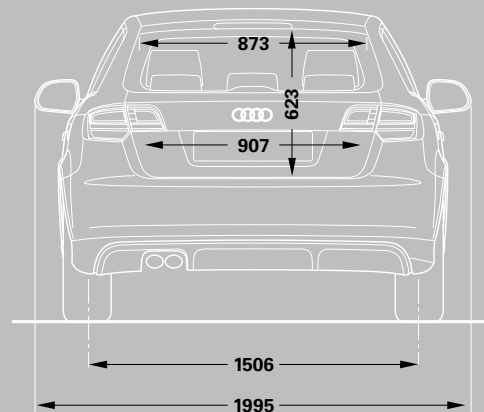
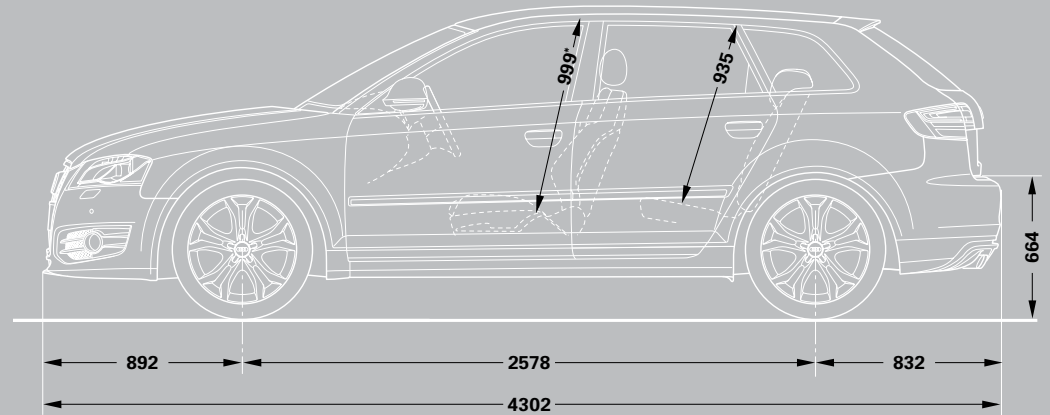
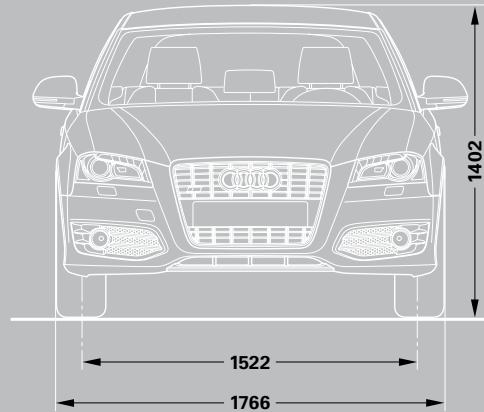
Turning circle approx 10.7m.

Dimensions in millimetres.

\*Maximum headroom.

# S3 Sportback dimensions

The technical drawings opposite show the exact dimensions of the Audi S3 Sportback, so you can check everything – from whether the car will fit in your garage to whether your luggage will fit in the boot.



Dimensions were measured with vehicle at unladen weight.

Turning circle approx 10.7m.

Dimensions in millimetres.

\*Maximum headroom.

# Additional information

## CO<sub>2</sub> data and information

### CO<sub>2</sub> emissions-based Vehicle Excise Duty

Vehicle Excise Duty (Road Fund Licence) is based upon the amount of Carbon Dioxide (CO<sub>2</sub>) a vehicle emits, measured in grams per kilometre (g/km). The DVLA has created thirteen categories:

#### Petrol and Diesel engines

A - up to 100g/km	£0.00
B - 101 to 110g/km	£35.00
C - 111 to 120g/km	£35.00
D - 121 to 130g/km	£120.00
E - 131 to 140g/km	£120.00
F - 141 to 150g/km	£125.00
G - 151 to 165g/km	£150.00
H - 166 to 175g/km	£175.00
I - 176 to 185g/km	£175.00
J - 186 to 200g/km	£215.00
K* - 201 to 225g/km	£215.00
L - 226 to 255g/km	£405.00
M - over 255g/km	£405.00

\*Band K includes cars that have a CO<sub>2</sub> figure over 225g/km but were registered before 23 March 2006.

Vehicle Excise Duty (VED) Rates correct at time of going to print, but these may alter to reflect any change in the applicable VED rate.

### Servicing tailored to your needs

Regular servicing is key to safeguarding your Audi's performance and a full Audi service history could help you preserve the future re-sale value. To make servicing easy, the Audi Service Schedules have been designed to work with your individual driving style and vehicle.

There are two schedules available and your Audi Centre will advise which schedule is most suited to your needs. The conventional fixed Audi Inspection Service schedule has fixed intervals for the Oil-change and Inspection Service that are based on time

and distance, whichever comes first. With the Audi LongLife Service schedule, sensors take account of driving style and conditions in which the vehicle is used to indicate when the Oil-change Service is required. Oil-change Service intervals are therefore variable and are conveniently indicated via the on-board service interval display.

#### Fixed Inspection Service Schedule

	Vehicle usage:
Mileage	Less than 10,000 miles per annum
Type of journey	Mainly city/town centre driving. Short journeys
Conditions	Frequent cold starts. High engine loading - e.g. frequent hill climbs, vehicle fully loaded, towing
Driving style	Uneconomical - e.g. heavy acceleration, heavy braking, constant changes in speed, constant use of high revs, 'sporty' driving
	Service Intervals:
Oil-change Service	Fixed to every 9,000* miles/1 year
Inspection Service	Fixed to every 19,000* miles/2 years

#### Variable LongLife Service Schedule

	Vehicle usage:
Mileage	More than 10,000 miles per annum
Type of journey	Motorway and main road driving. Mainly longer distance journeys. Constant speeds
Conditions	Normal engine loading - e.g. with little or no towing, with little or no hill climbs. Normal vehicle loading
Driving style	Moderate acceleration, moderate braking, engine revs mainly below 3,000
	Service Intervals:
Oil-change Service	Variable to a maximum of every 19,000* miles/2 years
Inspection Service	Fixed to every 19,000* miles/2 years

\*As indicated by the service interval display. Mileages are approximate as the Service Indicator system uses kilometres as its distance measurement.

# Additional information

## Welcome to Audi

By placing an order for your Audi, you're choosing to get behind the wheel of one of the most sophisticated cars on the road. And because we believe the service we offer should be just as advanced, we wanted to let you know exactly what you can expect from us, now and in the future.

We've agreed a set of standards with all our Centres, which governs the way we do business with you. It outlines the kind of service we promise to deliver for every customer, right down to filling each new Audi we sell with half a tank of fuel.

So whether you're interested in the date your car will arrive in the UK or the way we'll dispose of non-biodegradable materials after we service your Audi, you can have total confidence in us.

## Audi Promise

### Audi Centres

We guarantee that all of our Centres will be open as follows:

Sales: Monday to Friday 9am–6pm  
Saturday 9am–5pm

Service: Monday to Friday 8am–6pm  
Saturday 8.30am–1pm

Sunday opening is at local discretion.

### New car delivery

Once we've confirmed a delivery date for your car, we'll keep you informed of progress. Subject to reasonable notice, we'll then deliver it to a place of your choice, whether that's your home or place of work. In the unlikely event of a delay, we'll provide a courtesy car to minimise inconvenience and keep you mobile.

### The experts in Vorsprung durch Technik

Would you entrust your Audi to anyone who hasn't been regularly trained to Audi standards? Our network of Audi Approved Master Technicians have undergone an impressive 100,000 hours of training over a 10-year programme to ensure they have the latest technical expertise for maintaining and servicing your Audi. All of our Service Advisors undergo a specialist induction and training to ensure they are Audi professionals and able to talk to you about any issues you may have with your Audi vehicle. What's more, we have so much expertise and experience in looking after Audi vehicles that we are able to make a note of your mileage and the state of your vehicle as and when we see it and predict when certain key events may occur. As part of our duty of care, we will notify you in plenty of time so you can make an appointment with us.

### Your convenience comes first

At Audi you can choose from a range of convenient services that suit your needs. Why not book a 'service while you wait' appointment\* and enjoy our complimentary refreshments while your car is with us? Or, if you need to be mobile, take advantage of one of our courtesy cars which we can even collect and deliver to you.\* We guarantee we can service your Audi within 5 days without a courtesy car, or within 10 days if you need transport. We will also ensure your car is returned to you with a full valet.

### Audi Genuine Parts

Would you put a part into your Audi that wasn't the same quality as the factory fitted original? You can rest assured that only Audi Genuine Parts will be used on your vehicle. What's more, Audi parts and labour come with a 2-year guarantee.\*\* We stock a wide variety of parts, so we are well covered. However, if we don't have a part in stock at our Centre we have the back-up of parts at other Audi Centres, at our national warehouse and our factory and can usually source the relevant part very quickly.

### We don't like surprises either

We believe strongly in transparency and there will be no hidden costs. For added peace of mind, we will give you a quotation over the phone for the work you have requested and email you the price confirmation. We'll consult you if any additional work on your car is needed when it is with us. We won't carry out any extra work without asking your permission first.

### The Audi Stamp

Regular servicing is key to safeguarding your Audi's performance and a full Audi service history could help you preserve the future re-sale value of your car. Only the Audi Stamp will prove your approved Audi service history.

### Getting better every time

We continually gather feedback from our Audi Trained Technicians, as well as our customers, to ensure our vehicles are running as they should. Whenever we see an Audi for a service, we connect it directly to our headquarters in Ingolstadt which enables us to check your car's software and make sure it's as up-to-date as possible. If the factory has released a software upgrade for your model, it can be applied immediately – improving anything from your car's efficiency to the precision of its parking system.

### Environmental commitment

We promise to dispose of all non-biodegradable materials from your vehicle in a responsible manner.

\*Subject to availability.

\*\*Excludes wear and tear.

# Pricing information

## Pricing

Prices and specifications given are correct at the time of printing. Always check details with your Audi Centre, as Audi policies are continually developing. We reserve the right to change prices or specifications at any time.

All prices are subject to VAT, currently charged at 17.5% but this may alter to reflect any change in the applicable VAT rate.

Delivery charges and number plates are not included in the vehicle price.

Delivery charge	£473.62
Number plate	£20.00
VAT	£86.38
Total	£580.00

## Audi Roadside Assistance

Your new car comes complete with 3 years' complimentary roadside assistance and recovery across the UK provided by RAC Motoring Services. Also included is roadside assistance throughout Europe, managed by RAC Motoring Services.

For further information and terms and conditions please visit [audi.co.uk](http://audi.co.uk)

## Audi Customer Care

Every new Audi benefits from the comprehensive Audi Customer Care Package, which comprises:

- ▶ A 3-year Audi warranty, which covers you for unlimited mileage in the first 2 years of ownership, with a full mechanical and electrical warranty which covers you for up to 60,000 miles in the 3rd year

- ▶ A 3-year paint warranty
- ▶ A 12-year anti-corrosion warranty
- ▶ 3 years' UK roadside assistance and recovery

You also have the option when ordering your new car of choosing a four-year or five-year Audi warranty. Speak to a member of the sales team for more information.

## Audi Tax-Free Sales

If you are entitled to purchase a vehicle free of VAT, normally through Military or Diplomatic privilege, please contact your local Audi Centre for full details.

Should you have any difficulty obtaining the information you require, please call Freephone 0800 585878.

## Audi Finance

Audi Finance specialise in providing funding solutions for Audi drivers. Whether your Audi is for private or business use, there are a range of funding options to choose from

Below is the full range of finance products.

- ▶ Solutions – a Personal Contract Plan
- ▶ Hire purchase
- ▶ Lease purchase
- ▶ Finance lease
- ▶ Contract hire

With all products, you can choose a fixed-cost maintenance plan designed to help you budget accurately.

No matter what Audi model you choose, your local Audi Centre can provide you with a personalised quote which could fit your budget and motoring needs.

Audi Finance is a trading name of Volkswagen Financial Services (UK) Limited. An offer of finance depends on certain conditions. Available to people over 18 in the UK only.

## Audi Insurance

We want you to start enjoying your new car from day one and thanks to Audi Insurance complimentary seven day cover, you can. Call free on 0800 316 7893 (lines are open Monday to Friday 8am - 9pm, and Saturday 9am - 5pm), provide a few details and a cover note will be sent to your Audi Centre. They will then tax your car and you can drive it away.

Audi Insurance is a trading name of Volkswagen Insurance Service (Great Britain) Limited, an appointed representative of Volkswagen Financial Services (UK) Limited, Brunswick Court, Yeomans Drive, Blakelands, Milton Keynes MK14 5LR. Registered in England number 2835230. Audi Insurance is sold, underwritten and administered by Allianz Insurance plc registered in England number 84638. Registered office 57 Ladymead, Guildford, Surrey GU1 1DB. Volkswagen Financial Services (UK) Limited and Allianz Insurance plc are authorised and regulated by the Financial Services Authority. Volkswagen Financial Services (UK) Limited and Allianz Insurance plc are not part of the same corporate group.







**Audi UK**  
Customer Services  
Selectapost 29  
Sheffield  
S97 3FG  
0800 699888  
audi.co.uk

Specifications and prices subject  
to change without notice.

© Audi (UK)

Printed in the UK  
Edition 2.1 03/10  
2010 Model Year



**FSC**

**Mixed Sources**

Product group from well-managed  
forests and other controlled sources

Cert no. TT-COC-002327  
www.fsc.org  
© 1996 Forest Stewardship Council