



Commercial
Vehicles

The new Amarok



DISTANCE CHECK.



More than 1000 kilometres on one full tank. Not only on the road.

The 2.0 litre TDI® Biturbo engine has an output of 120 kW at a maximum torque of 400 Nm and with a minimal fuel consumption starting at just 7.6 litres per 100 km.

POWER CHECK



1000 kg payload at 100 percent incline.

Or at 100 percent decline.

Tough, but comfortable. The heavy duty leaf springs allow the loading of up to one tonne – and ensure first-class comfort.

PERFORMANCE CHECK.



Reliable performance on all terrains. And in every curve.

The ESP ensures safe and confident driving at all times, especially in combination with the 4MOTION all-wheel drive.

The Amarok idea.

The new Amarok¹⁾ by Volkswagen unites work and leisure like no other pickup. A choice of three different drive concepts makes it the ideal companion for almost any assignment. The permanent all-wheel drive with torsion differential offers maximum comfort and driving dynamics as well as exceptional cross-country mobility. To ensure optimal traction on even the toughest terrain, the power distributed to the wheels is variable. The shiftable all-wheel drive with gear reduction has been especially developed for difficult roads off the beaten track. As a third option, the Amarok is also available with rear-wheel drive. In addition, you can choose between two types of spring elements. The heavy duty leaf springs are particularly robust while the comfort leaf springs make driving feel even more pleasant. No matter which drive concept you decide on, your vehicle will always have outstanding payload and trailer load capacities as well as the broadest load area in its category – making loading easier than ever before. With so many optimum values, it's not surprising that the Amarok is also a leading in terms of efficiency with a fuel consumption of just 7.6 litres per 100 km.



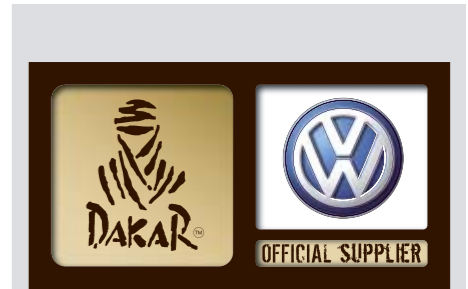
The exterior of the Amarok is not only striking because of its flared wheel-houses. Chrome-plated rear bumpers²⁾ and taillights enhance its imposing appearance. A wide range of colours and paint finishes are available to complete the look.



The driver assistance systems. Fog lights with chrome components improve visibility and appearance. The ESP with trailer stabilisation and hill holder also works with shiftable all-wheel drive. Also available: ABS with off-road function.



Three drive concepts to suit all terrains: rear-wheel drive, permanent and shiftable 4MOTION all-wheel drive. You also have the choice between two leaf springs: either heavy duty or comfort. The chassis is rounded off with optional 16" to 19" alloy wheels.



For most, it is the toughest rally in the world. For the new Amarok, it is a job like any other – the Dakar. As the official escort vehicle for the next three years, it will be supporting the teams where it can: everywhere.



The Amarok can transport large quantities – and handle almost anything. Thanks to its extremely robust ladder frame chassis, the Amarok is ideally equipped to handle tough assignments. The 2.8 t trailer load capacity at a 12 percent incline and at a 100 percent incline also speak for themselves. The four lashing eyes on the largest load area in its category ensure that everything stays in place. The Amarok can even transport Euro pallets crosswise – unlike any other vehicle in its segment. A particularly low load platform height of 780 mm makes loading and unloading even easier. And the extremely sturdy tailboard can be used as a practical extension.



The exterior reflects the Amarok's inner values. The contours of the front, which span from the engine compartment lid to the doors, are powerful and dynamic. The chrome-plated crossbeams on the radiator grille continue toward the headlights, shaping the new face of Volkswagen. Concealed within: a 2.0 litre 120 kW (163 bhp) TDI[®] Biturbo engine with a maximum torque of 400 Nm to deliver the powerful performance expected of a vehicle as imposing as the Amarok. The 90 kW engine will also set standards – with a maximum torque of 340 Nm.



Inside the vehicle, you will encounter a high level of safety and acoustic comfort as well as the most spacious head room in its class. The sophisticated safety systems include equipment highlights that you will hopefully never need to use, such as driver and front passenger airbags or combined head/thorax airbags³⁾. Practical and space-saving: a load platform illumination integrated in the third brake light so that your load can even be secured safely in the dark.

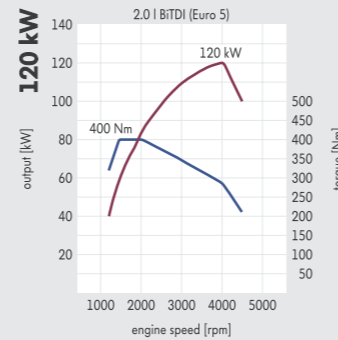


The interior meets all requirements. The Climatronic creates a pleasant climate inside the vehicle thanks to the eyeball air vents while the sophisticated leatherette/leather trim in two colours, elegant chrome elements and a state-of-the-art sound system complete your sense of well-being.

1) Illustration shows the Amarok Highline. 2) Standard on the Amarok Highline. 3) Driver's airbag is standard on the Amarok Highline, all other airbags are only standard in Europe.

The new Amarok – Technical data.

Diesel engine	2.0 litre BiTDI engine (120 kW)
Mixture preparation/ Injection method	BiTurbo common-rail direct injection
No. of cylinders	4
Cubic capacity, cm ³	1,968
Output, kW at rpm, min ⁻¹	120 at 4,000
Torque, max Nm/rpm, min ⁻¹	400/1,500–2.000
EU emission standard	in accordance with EC directive 715/2007 Euro 5
diesel particulate filter (DPF)	standard
Rear-wheel drive	standard
Shiftable 4MOTION	combination possible
Permanent 4MOTION	combination possible
Type of fuel	diesel, in accordance with DIN EN 590



Diesel engine		2.0 litre BiTDI (120 kW) Rear-wheel drive	2.0 litre BiTDI (120 kW) Shiftable 4MOTION ¹⁾	2.0 litre BiTDI (120 kW) Permanent 4MOTION ¹⁾
Fuel consumption ²⁾ , l/100 km ³⁾	manual gearbox	6-speed	6-speed	6-speed
	urban	9.7 – 9.8	9.9 – 10.0	9.9 – 10.0
	extra urban	6.3 – 6.4	6.5 – 6.6	6.5 – 6.6
	combined	7.6 – 7.7	7.8 – 7.9	7.8 – 7.9
Combined CO ₂ emissions ²⁾ , g/km		199 – 203	206 – 209	206 – 209

Performance	Engine	Output (kW)	Acceleration (kph, s) 0 – 80	0 – 100	Elasticity (kph, s) 80 – 120 (5 th gear)	Top speed (kph, s) (achieved in 5 th gear)
	2.0 litre BiTDI	120	7.5	10.8	10.5	182
	2.0 litre BiTDI shiftable 4MOTION	120	7.7	11.1	11.0	181
	2.0 litre BiTDI permanent 4MOTION	120	7.7	11.1	11.0	181

1) Available as an optional extra. 2) Preliminary figures in part. 3) Fuel capacity approx. 80 litres.

The performance figures are based on vehicles without options.

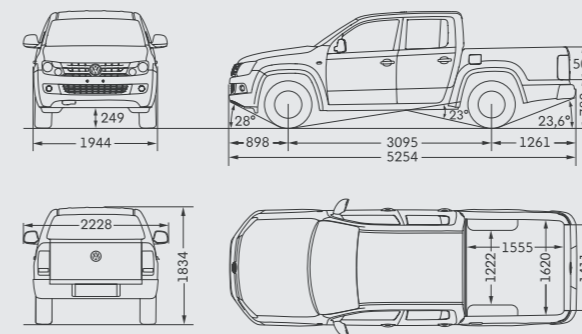
In addition to the fuel efficiency of a vehicle, driving behaviour as well as other non-technical factors play a role in determining a vehicle's fuel consumption and CO₂ emissions. CO₂ is the main greenhouse gas responsible for global warming.

Weights

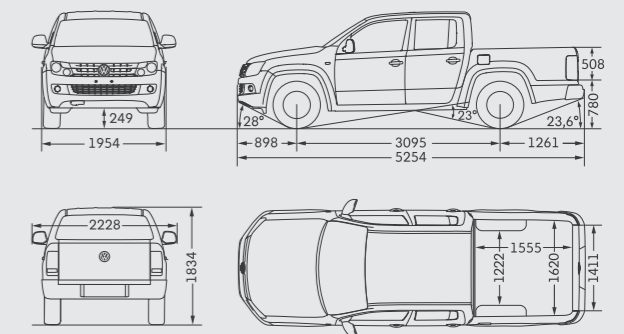
Gross vehicle weight (kg)	Engine	Output (kW)	Seats	Unladen weight incl. Driver (kg)* from – to	Payload (kg)* from – to	Axle load limit front/rear (kg)	Trailer weight braked, for 12% gradient/unbraked (kg)	Gross train weight for 12% gradient (kg)
2,820	2.0 litre BiTDI	120	5	1,882 – 2,052	938 – 768	1,325/1,600	2,800/750	5,500
	2.0 litre BiTDI 4MOTION shiftable/permanent	120	5	1,958 – 2,157	862 – 663	1,385/1,600	2,800/750	5,500
3,040	2.0 litre BiTDI	120	5	1,903 – 2,074	1,137 – 966	1,335/1,860	2,800/750	5,500
	2.0 litre BiTDI shiftable 4MOTION	120	5	1,993 – 2,178	1,047 – 862	1,385/1,860	2,800/750	5,500

Roof load limit (kg)	Trailer nose weight (kg)
100	120

Dimensional drawing Amarok, double-cab



Dimensional drawing Amarok Highline, double-cab



Load area	2.52 m ²	Load area	2.52 m ²
Wading depth	500 mm	Wading depth	500 mm
Turning circle	12.95 m	Turning circle	12.95 m

*Equipment can result in an increase/decrease in the unladen weight and consequently affect the payload. Please contact your local Volkswagen Dealer for the appropriate information.

The payloads listed here have been established allowing for factory options or other tailored solutions that are not included in the standard scope of delivery and services. The actual payload of a vehicle, which is calculated by the difference between the gross vehicle weight and the kerb weight, can only be established by weighing the individual vehicle.

Due to production tolerances/tyre sizes/type of running gear the actual dimensions can differ slightly from the figures given here. The vehicle drawings are not to scale.

The new Amarok

065.1192.34.18 • Printed in Germany

Subject to change without notice

Issue: March 2010

Internet: www.volkswagen-commercial-vehicles.com